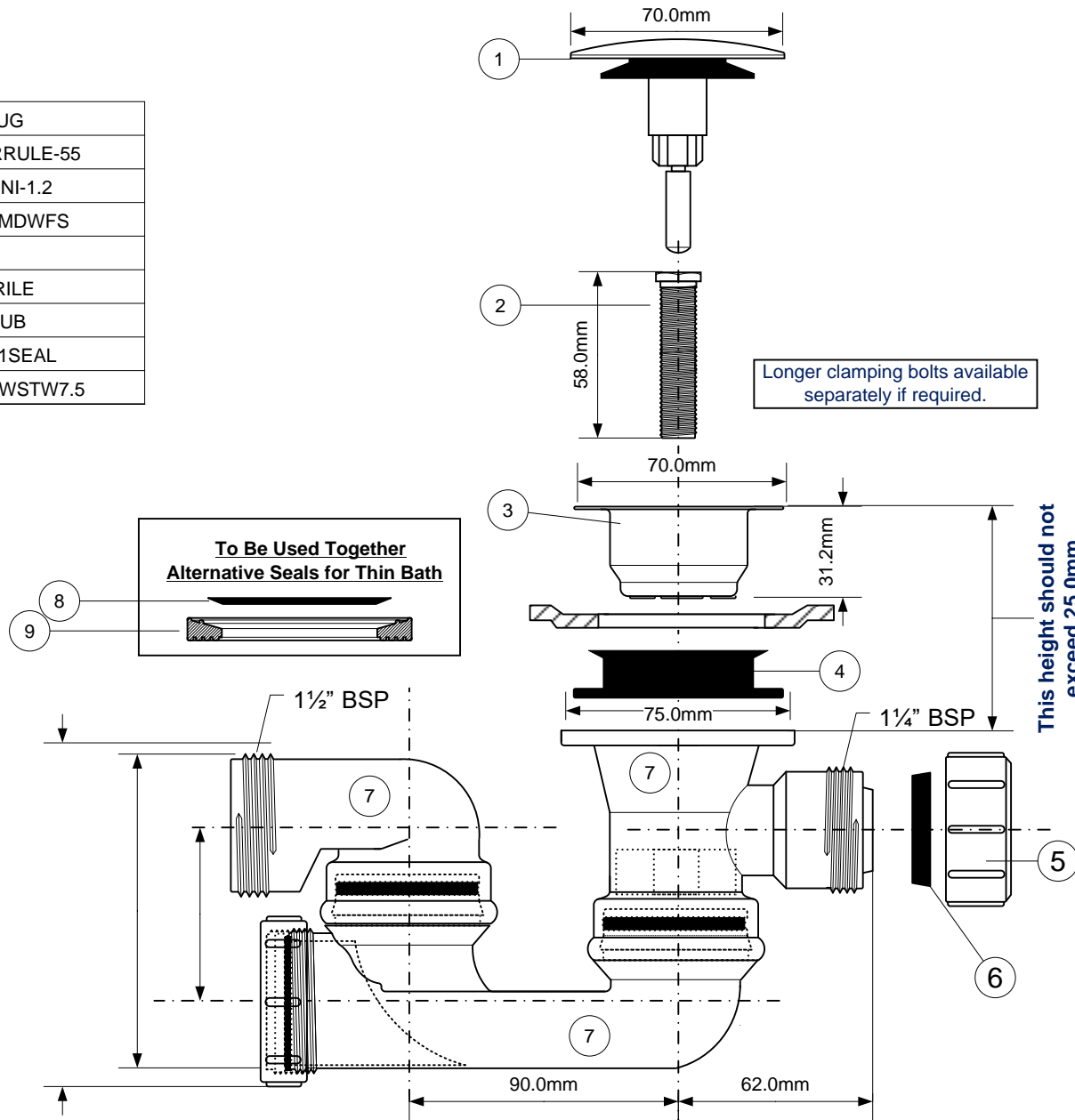


Code:

0100-091-06S

1	CBW-PLUG
2	BSWFERRULE-55
3	P-F-70MINI-1.2
4	P-R-75MMDWFS
5	S8B
6	S13-NITRILE
7	HC300-SUB
8	RW-HC31SEAL
9	P-RWNEWSTW7.5



Drawing verified
correct as of:

16/11/2015 AA

DRAWN BY

DL

REVISED

01/01/2019

FILENAME

HC300-BSP-B-CB-K.VSD

SCALE

1 : 2.25

DATE

01/01/2019