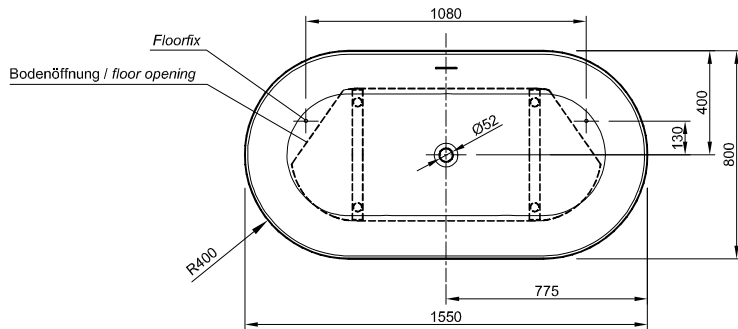
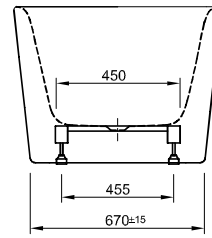
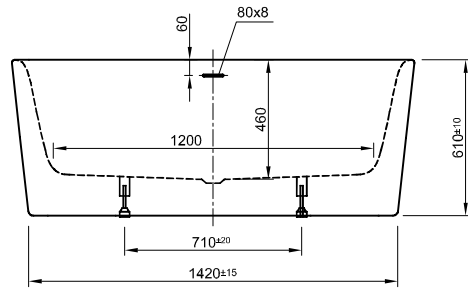
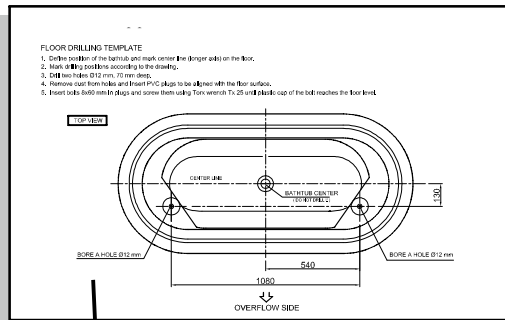


1x



1x



- FLOOR DRILLING TEMPLATE
1. Define position of the bath and mark center line (longer side) on the floor.
 2. Mark all the positions according to the drawing.
 3. Drill two holes Ø12 mm, 70 mm deep.
 4. Remove dust from holes and insert PVC plugs to be aligned with the floor surface.
 5. Insert bolts 8x60 mm in plugs and screw them using Torx wrench TX 25 until black cap of the bolt reaches the floor level.



2x



2x

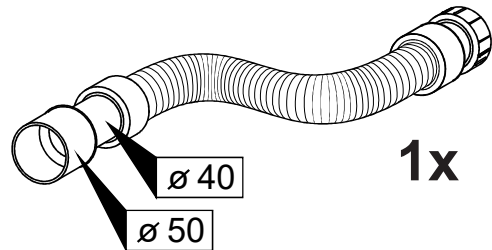


Fig. 1

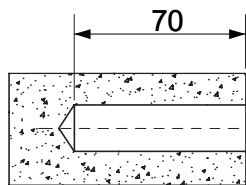
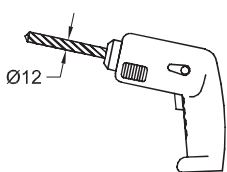
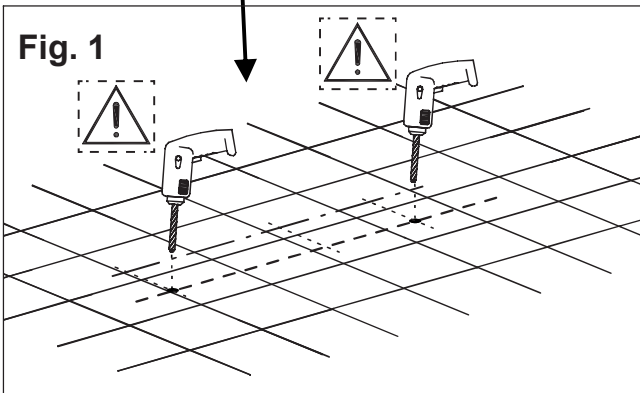
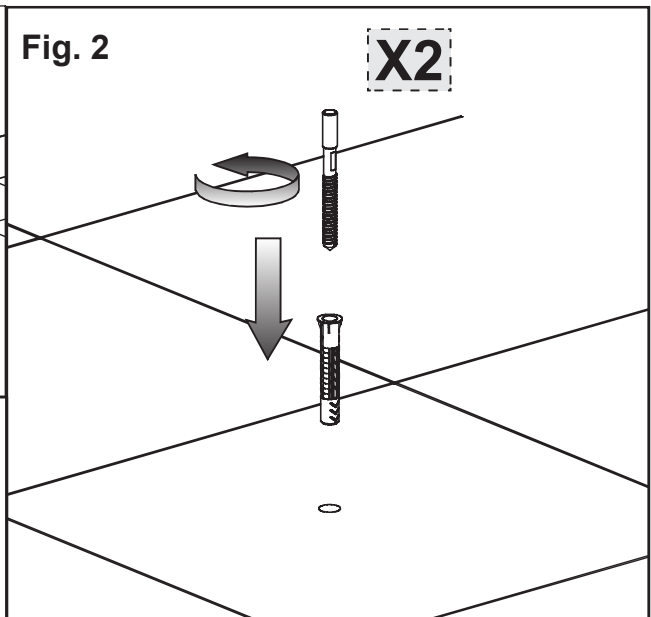
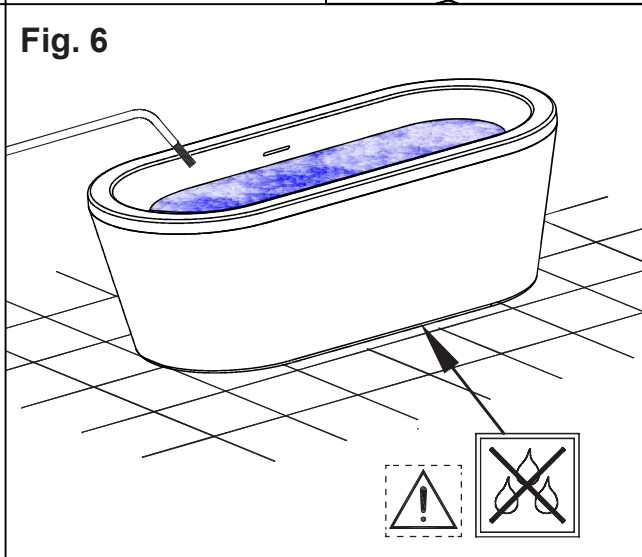
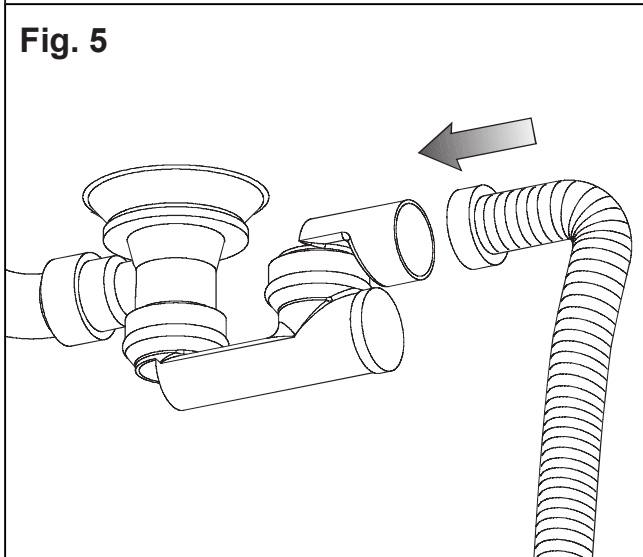
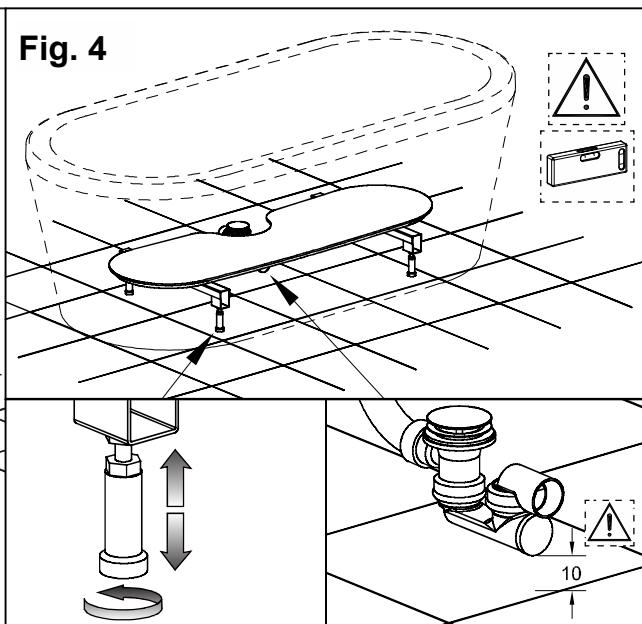
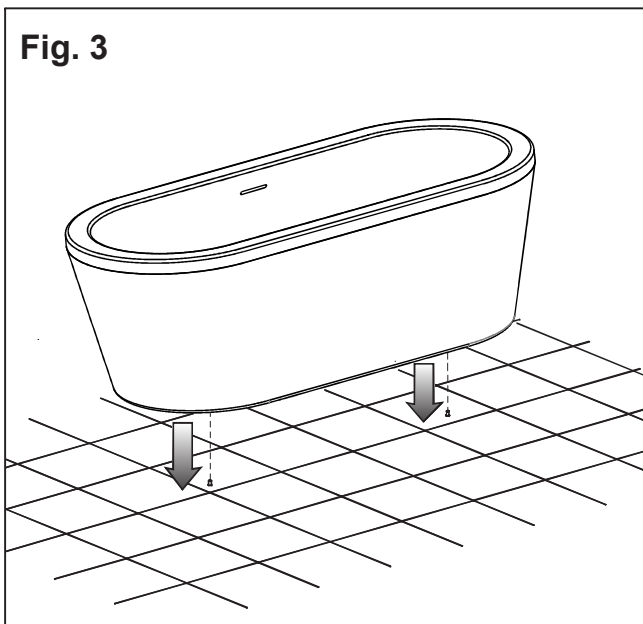


Fig. 2





OPT.:

