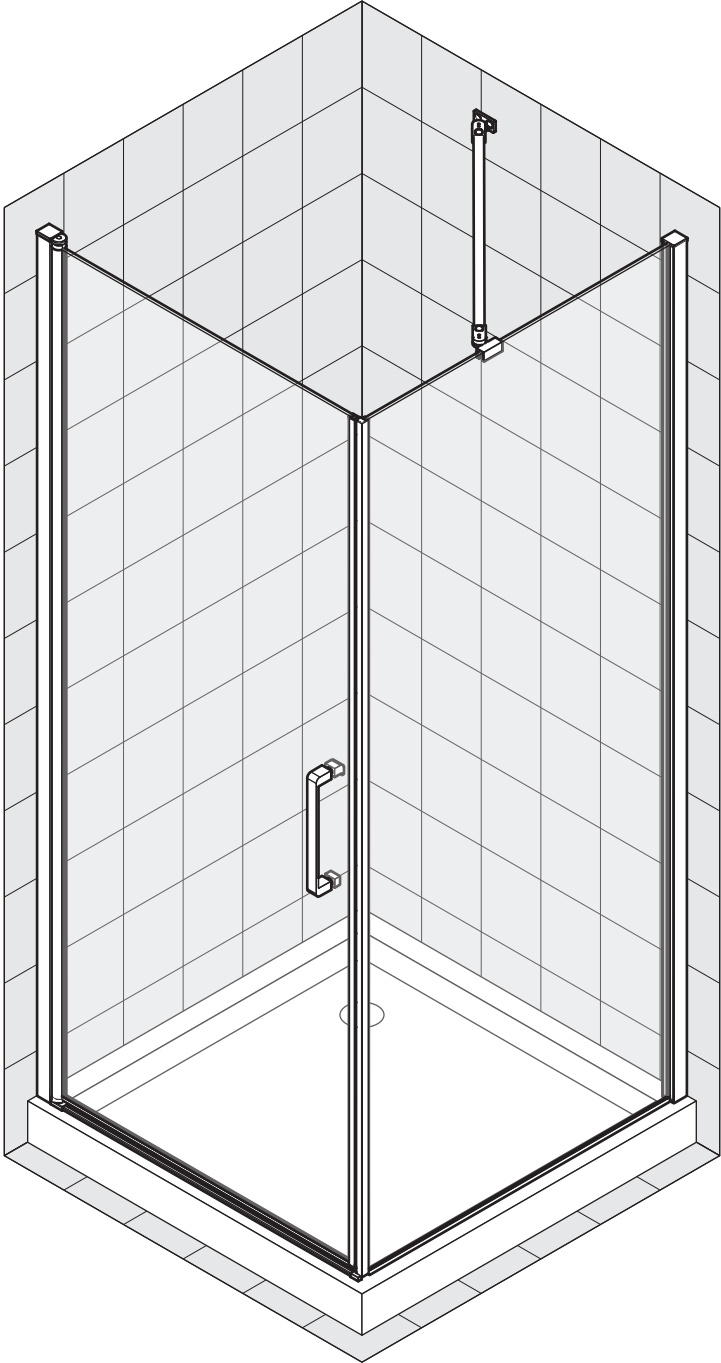
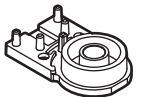
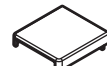
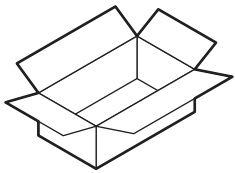
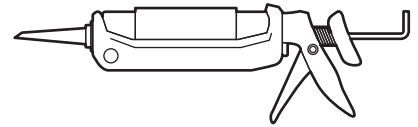
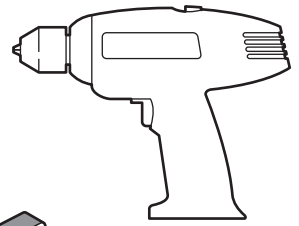
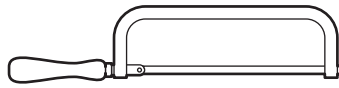
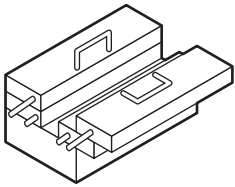


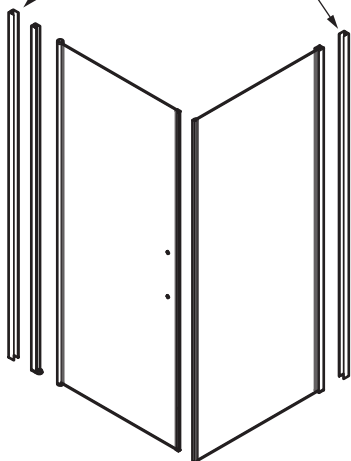
GF





H 2000 mm

H 1984 mm



FU8x50 x6



3,5x32 x1



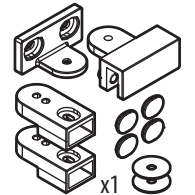
3,5x9,5 x8



S6 x2



M5x8 x2



4,5x60 x6



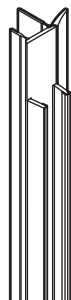
x6



4x35 x2



M5x16 x2



x1



x1



x2



x1



x1



x1

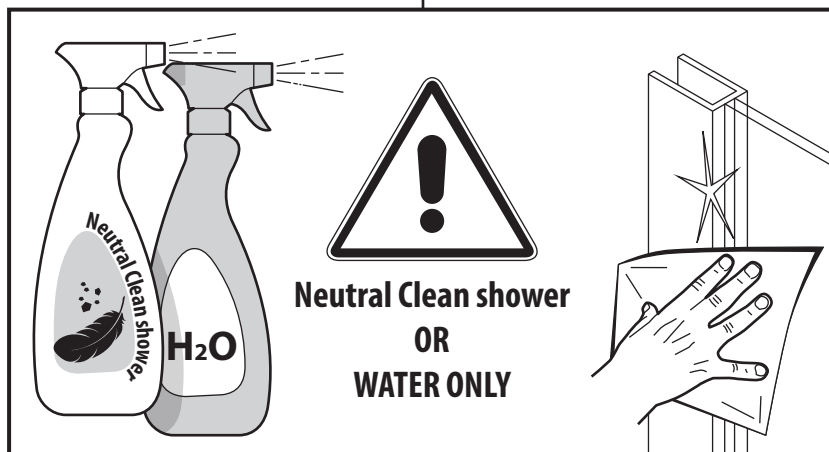
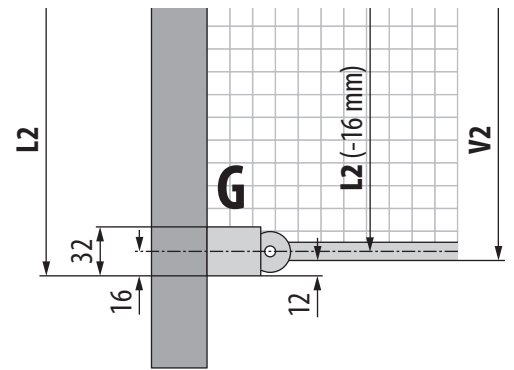
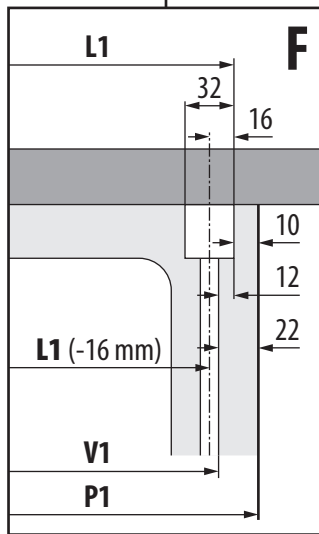
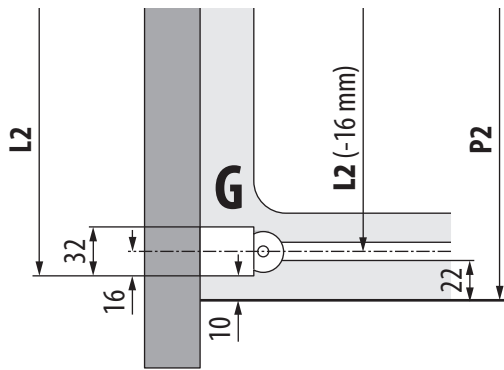
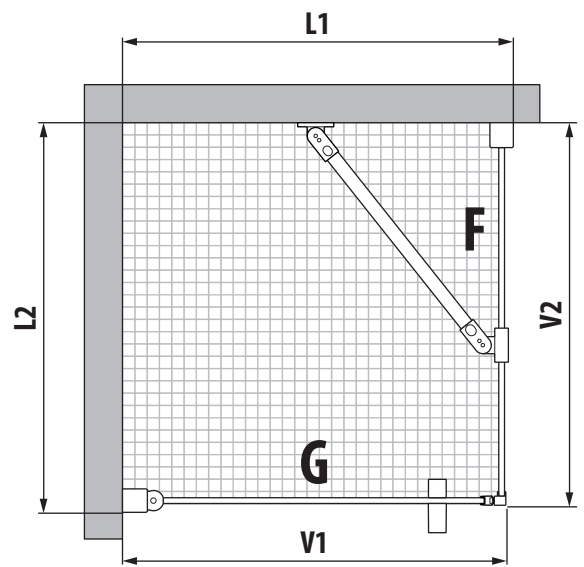
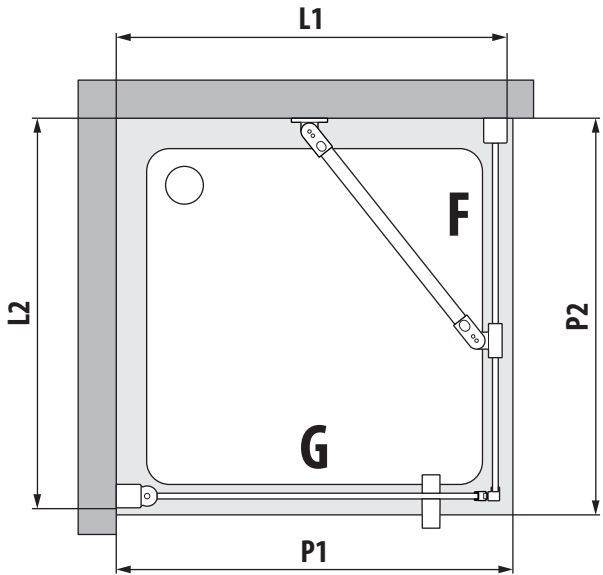
100 cm

G	P1	L1 mm
87	880-900	870-890
97	980-1000	970-990

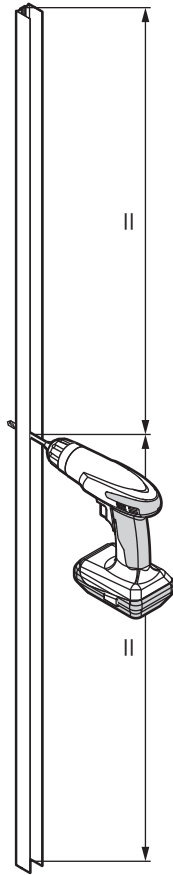
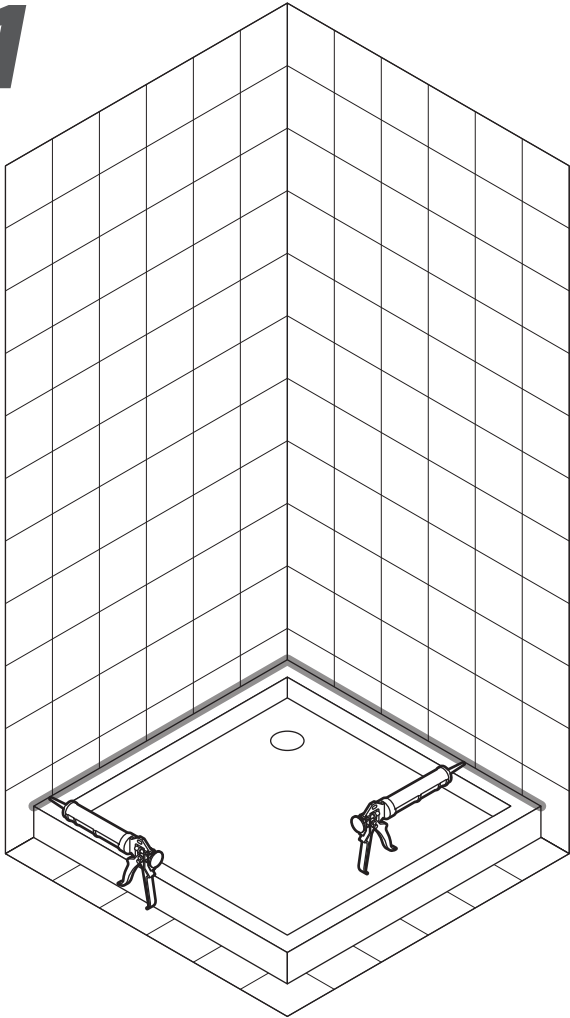
F	P2	L2 mm
87	880-990	870-980
97	980-1000	970-990

G	V1	L1 mm
87	854-874	870-890
97	954-974	970-990

F	V2	L2 mm
87	854-964	870-980
97	954-974	970-990

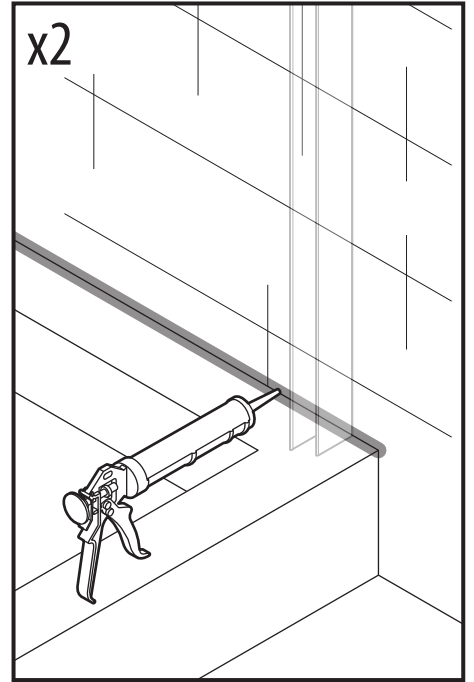


1

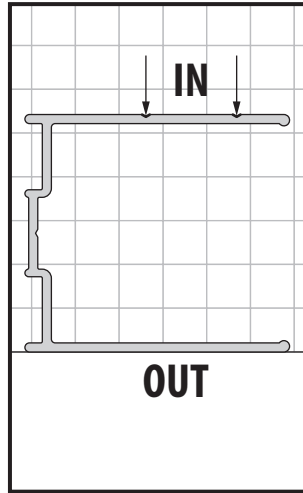
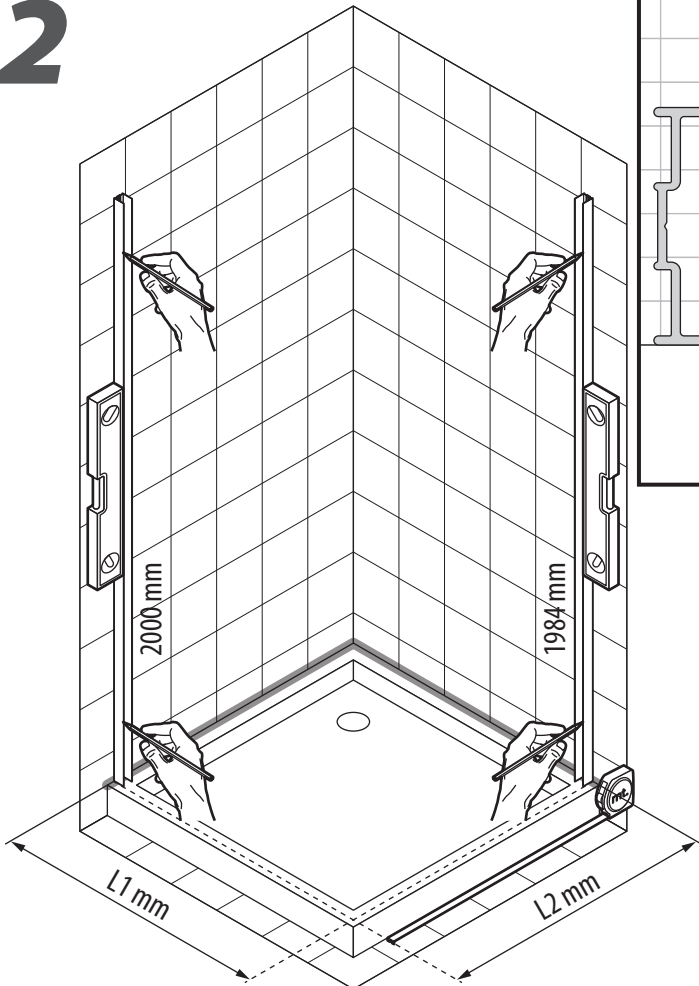


ø4 mm

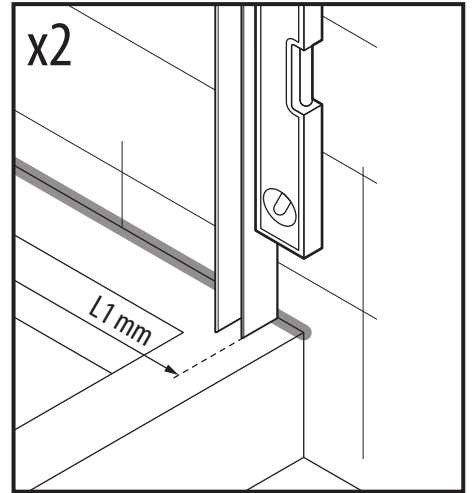
x2



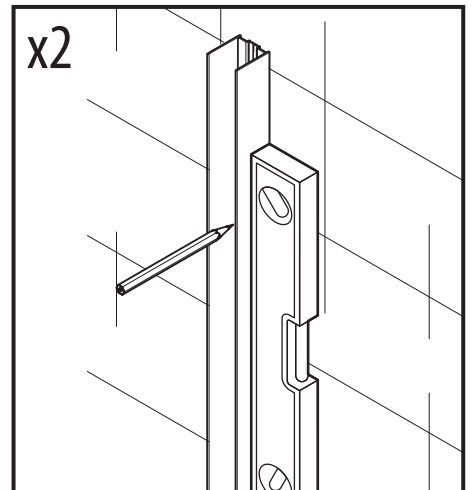
2



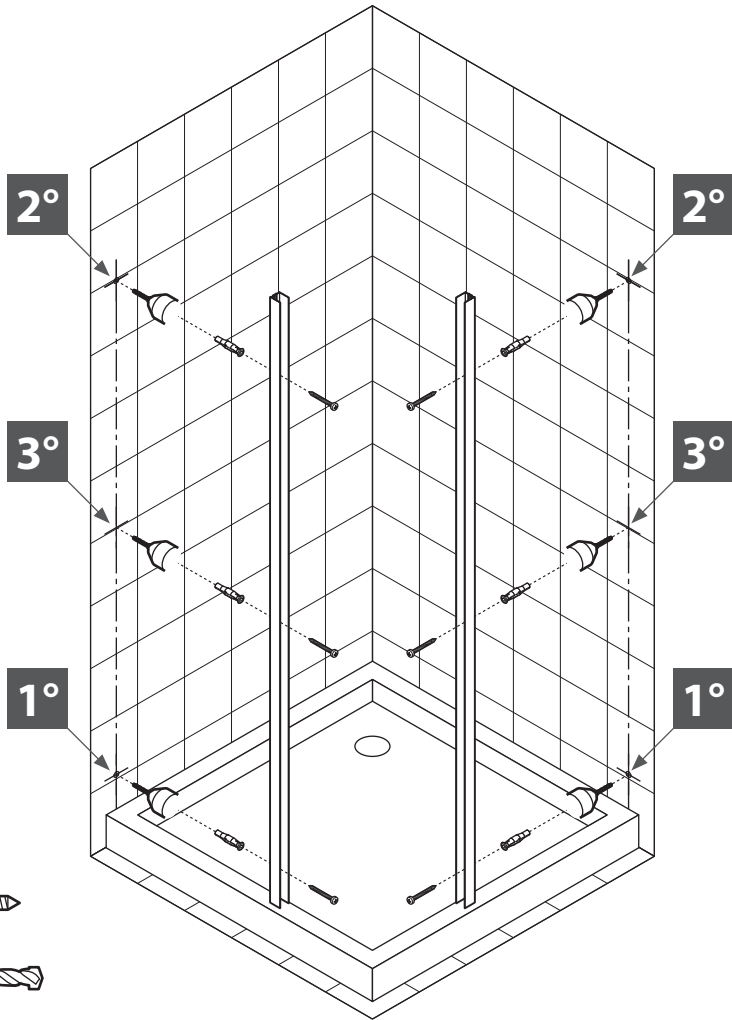
x2



x2



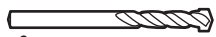
3



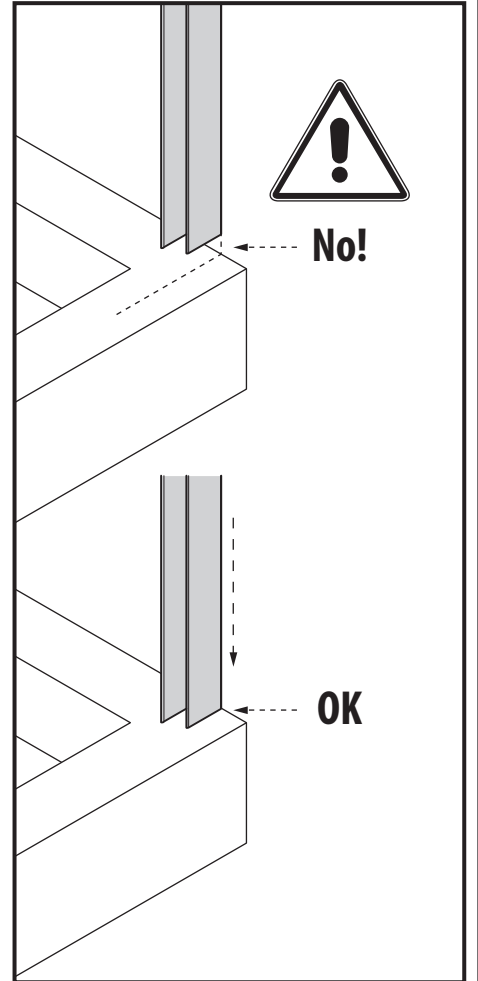
FU8x50 x6



4,5x60 x6



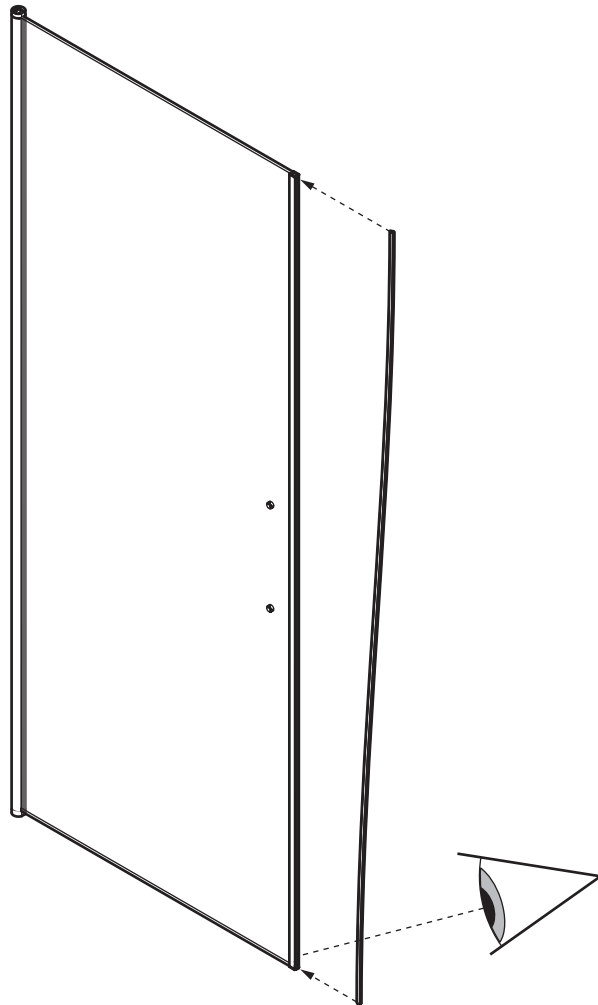
ø8 mm



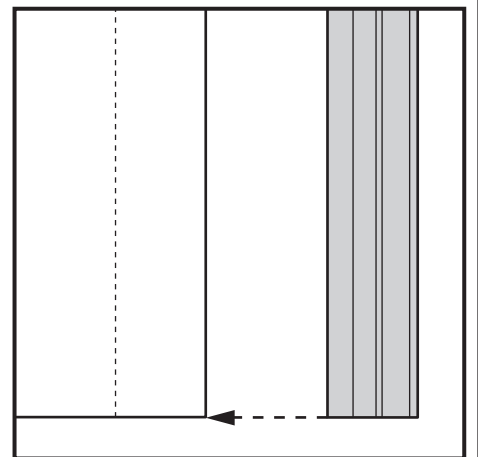
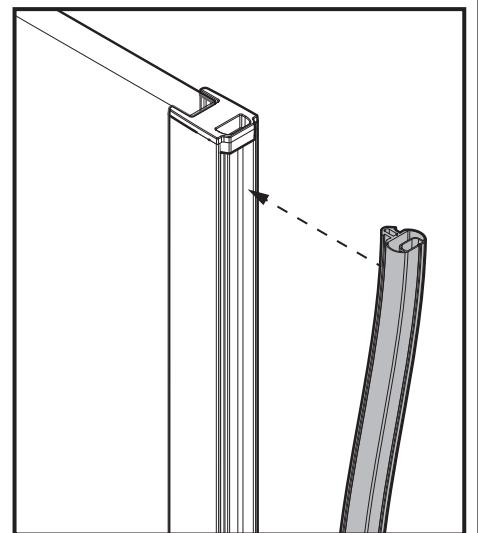
No!

OK

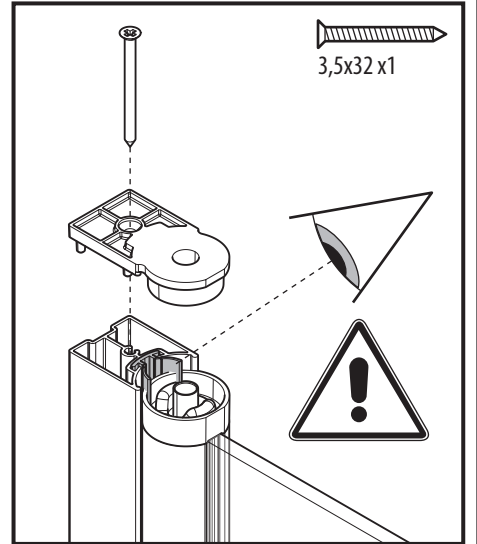
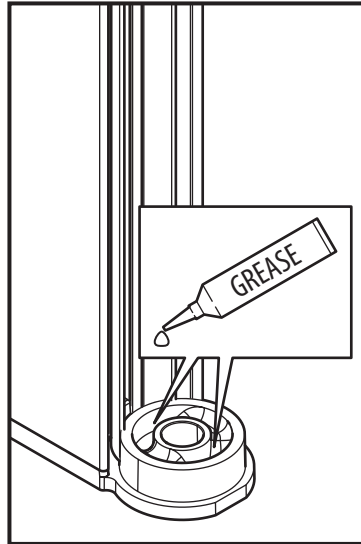
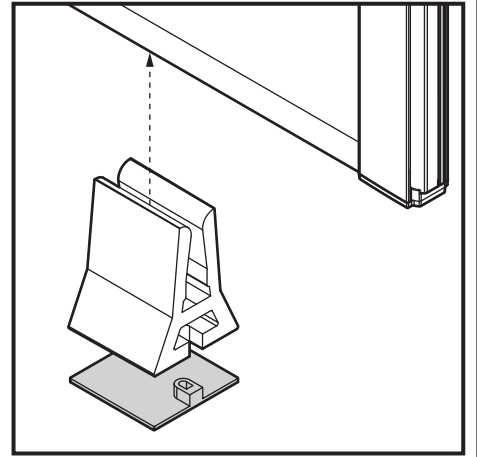
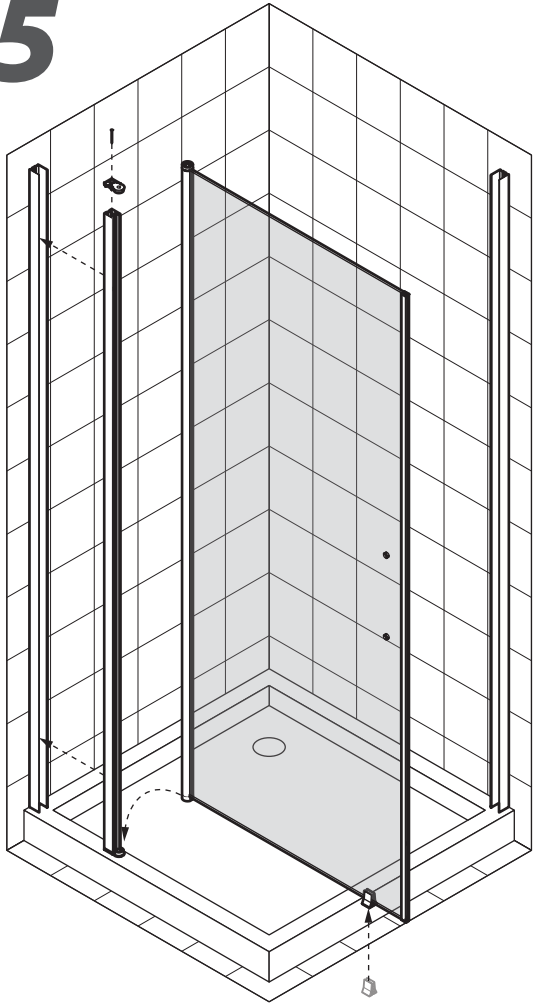
4



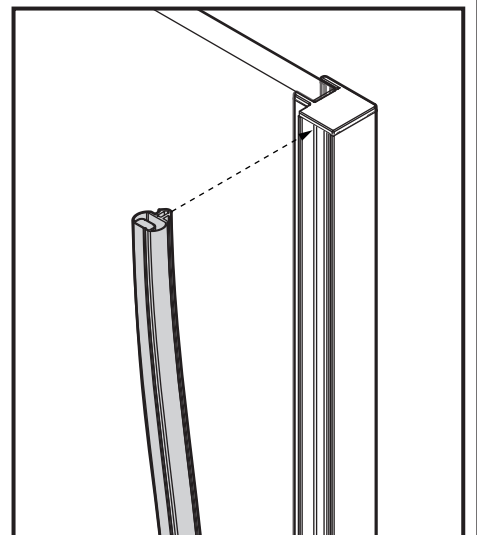
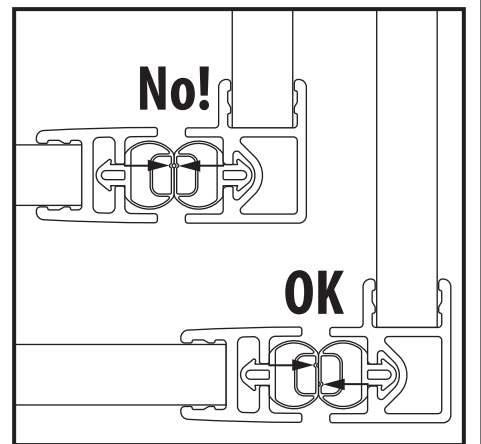
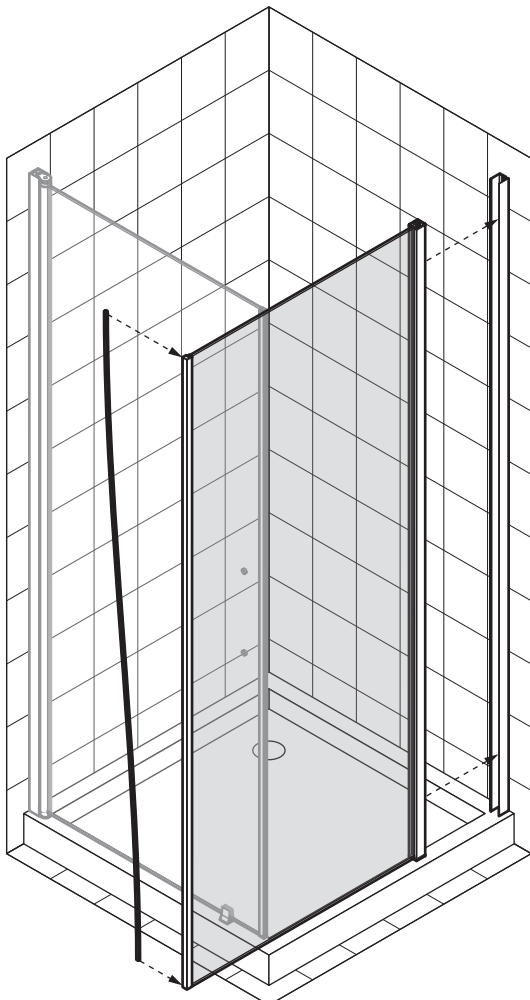
5



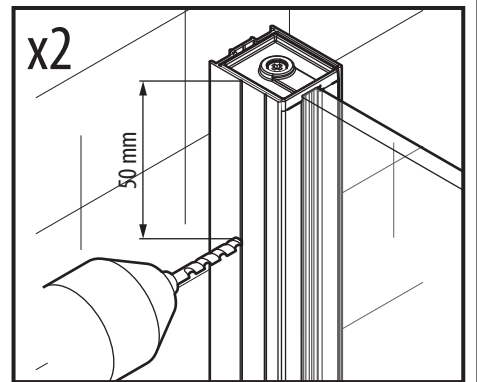
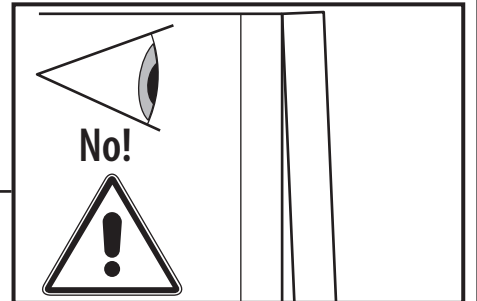
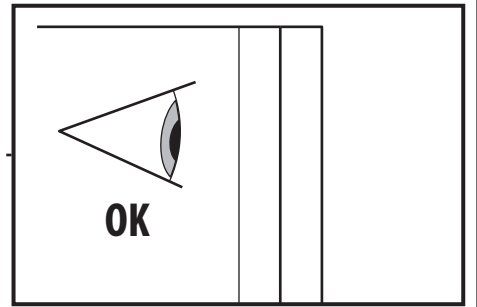
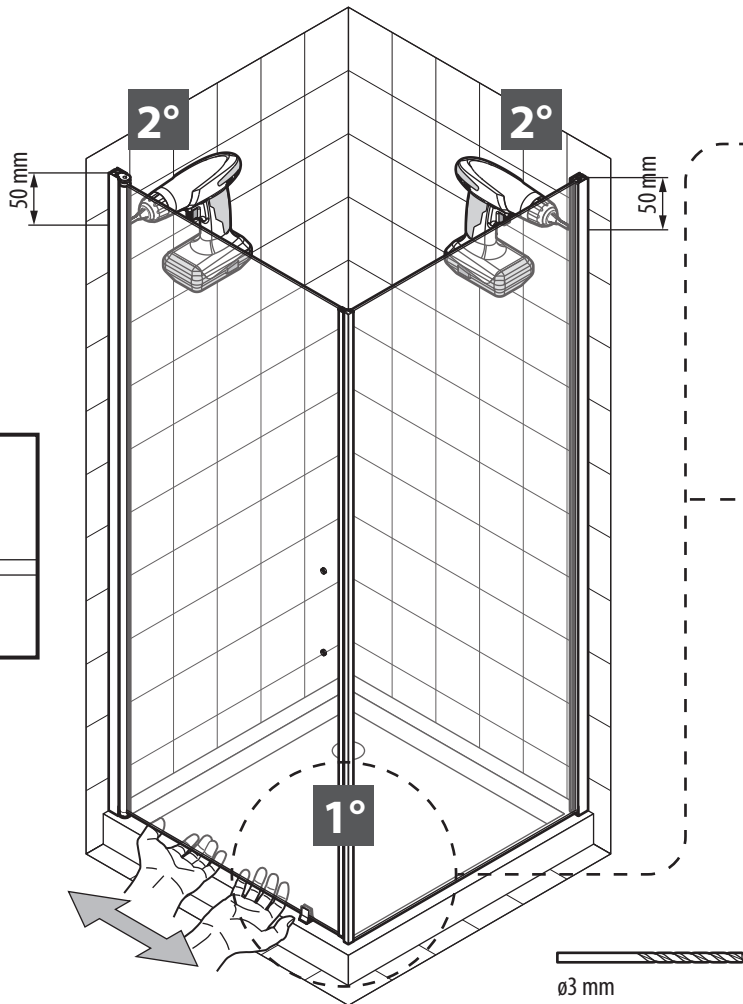
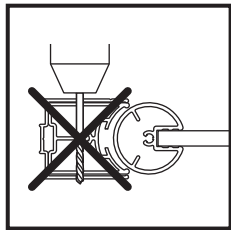
5



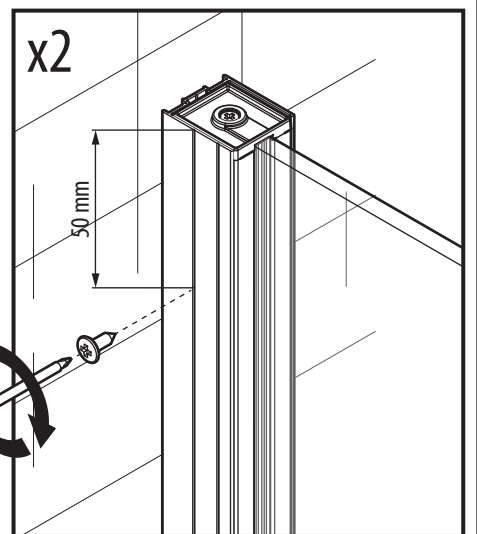
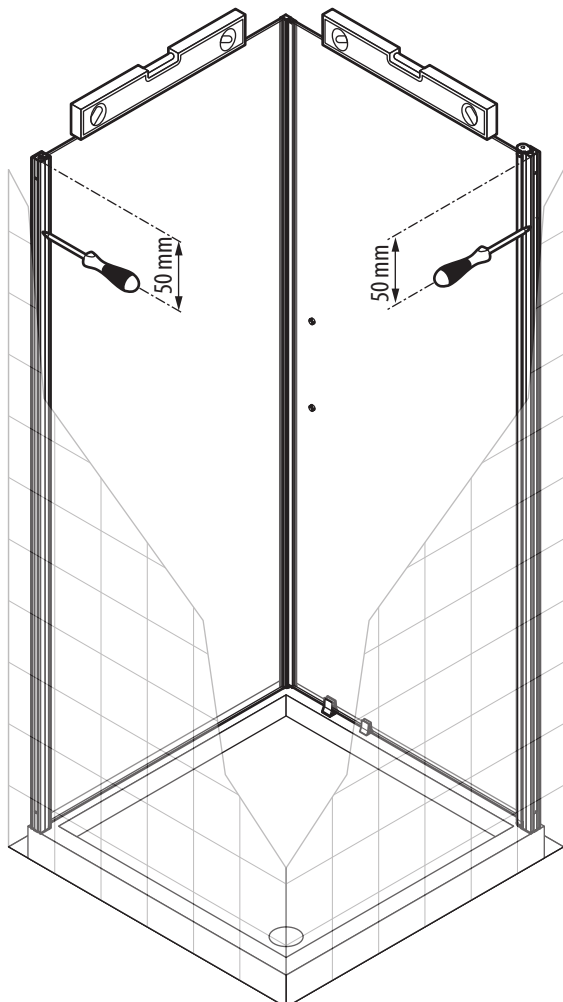
6



7



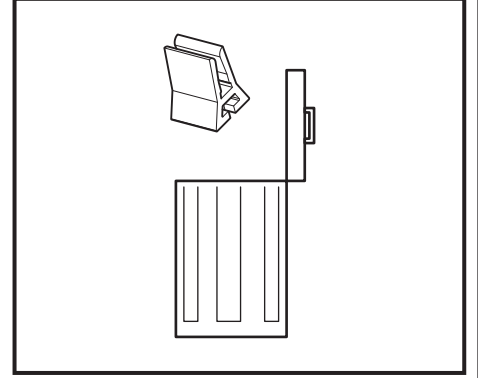
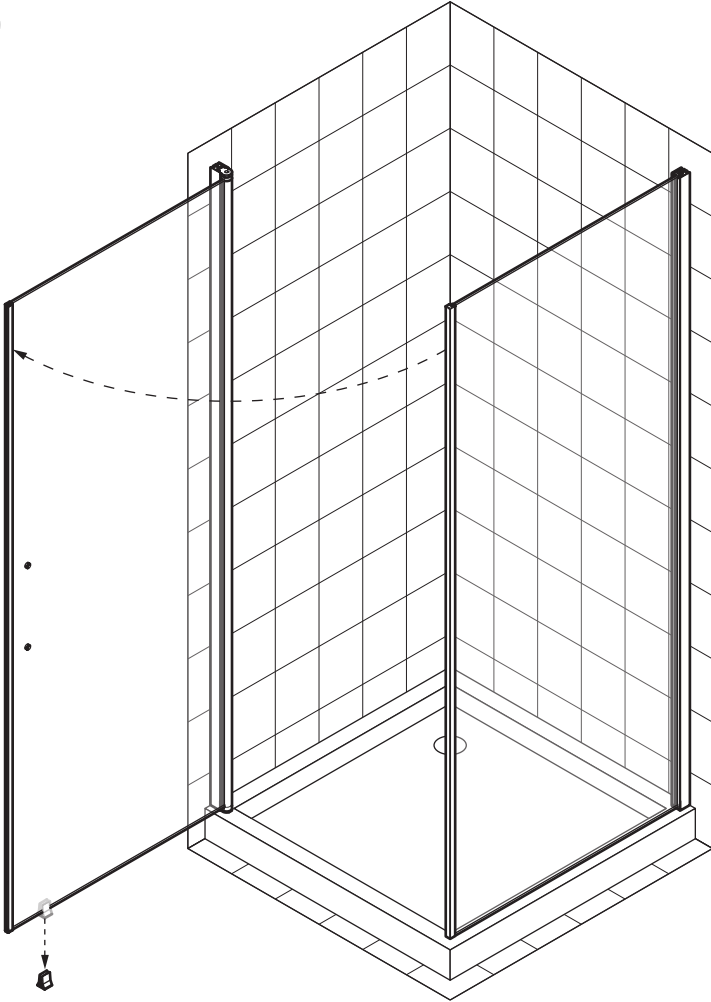
8



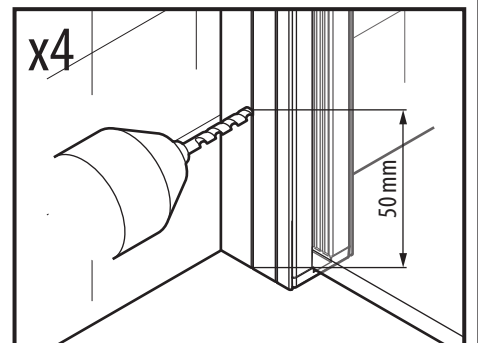
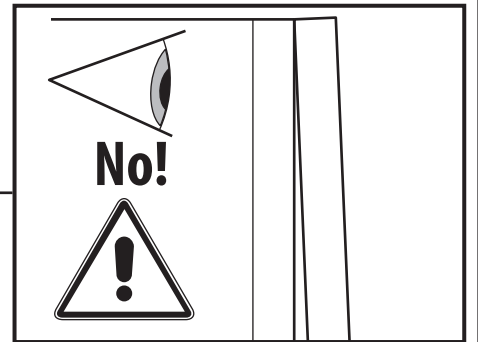
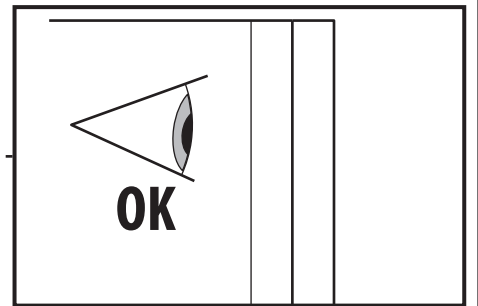
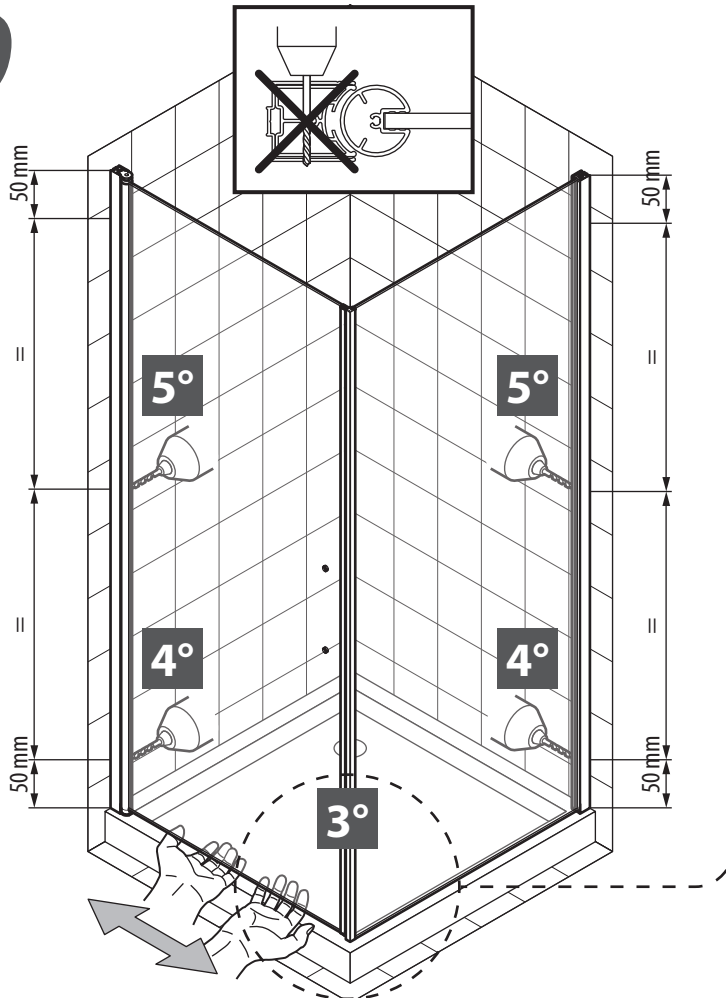
3,5x9,5 mm x2

x2

9

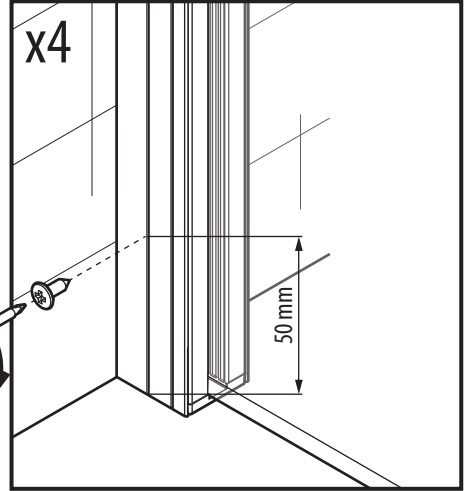
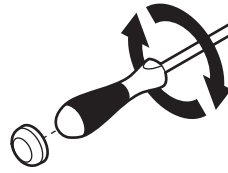
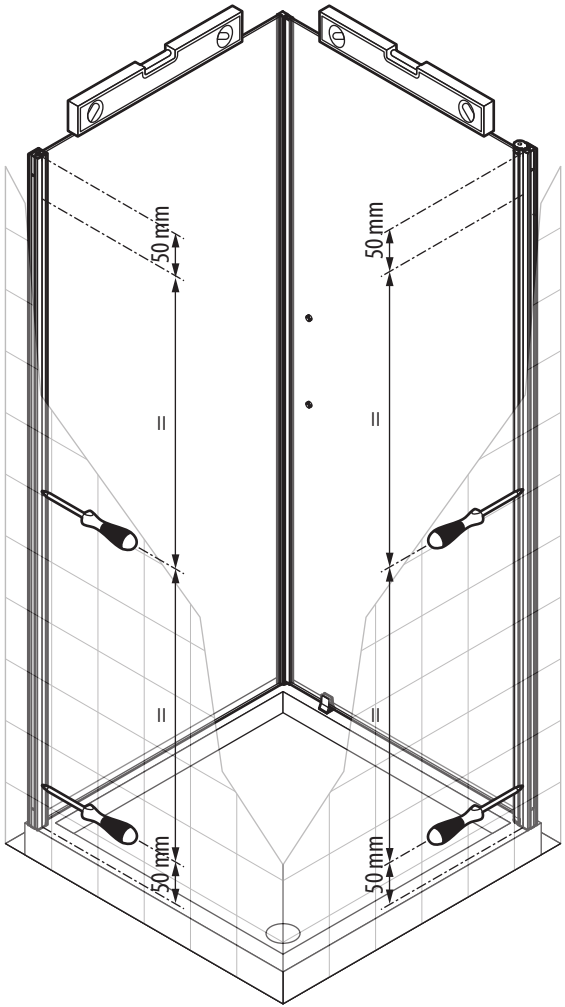



10



8

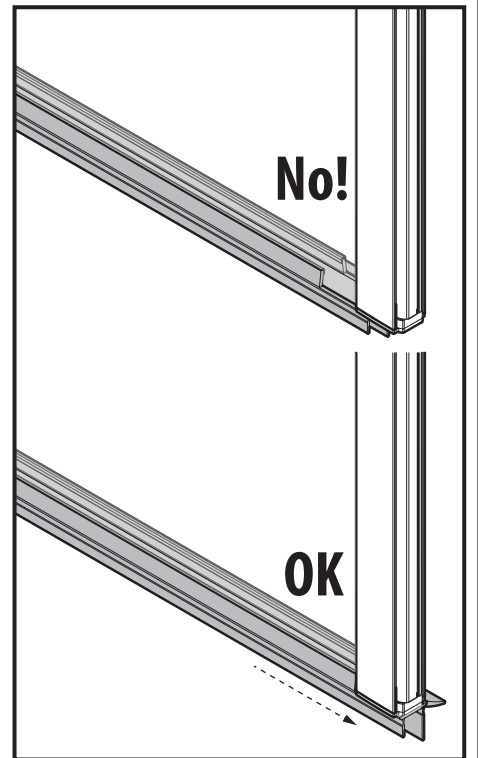
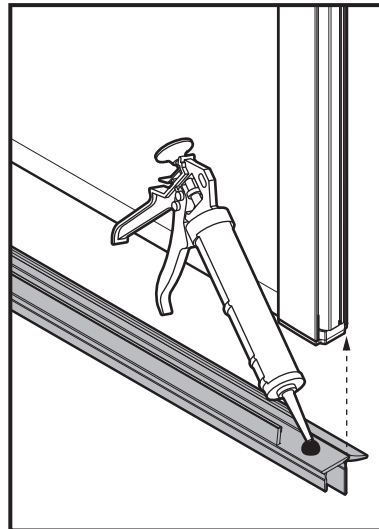
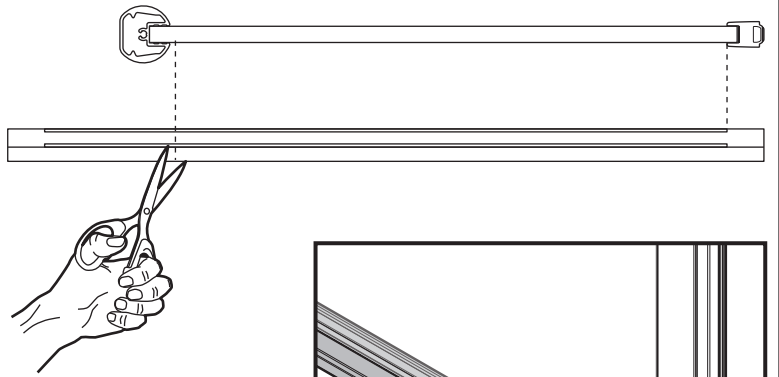
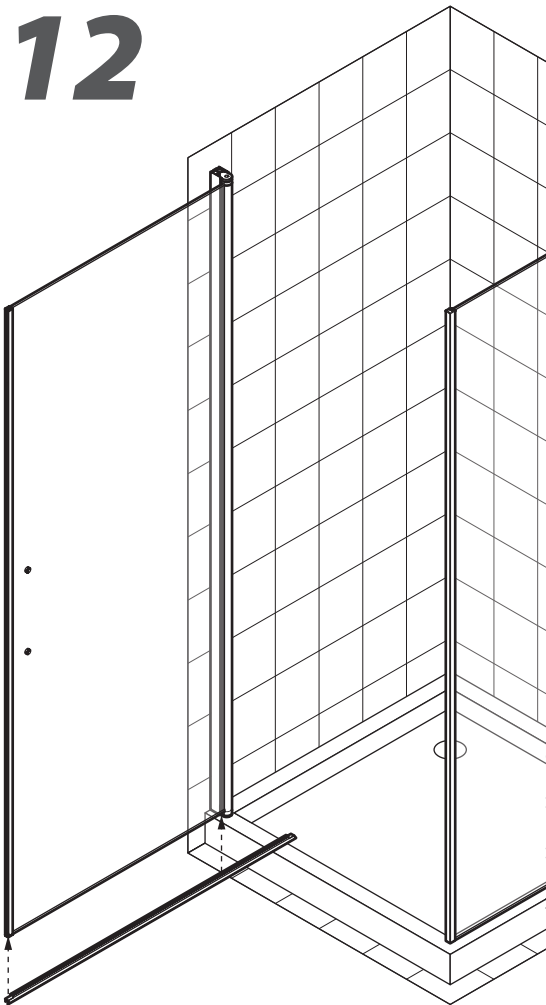
11



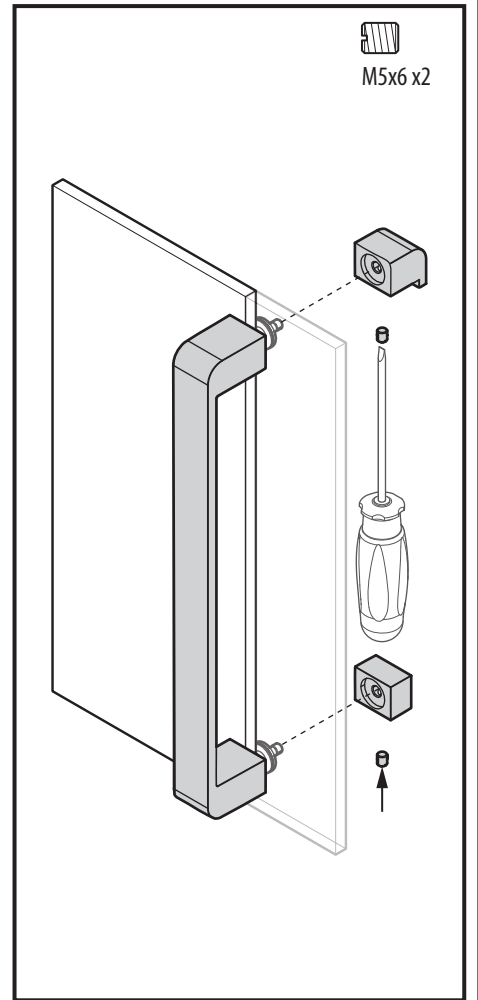
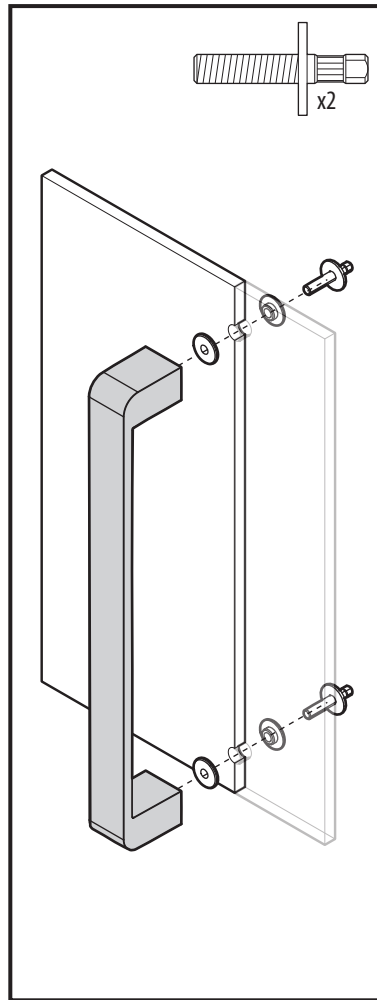
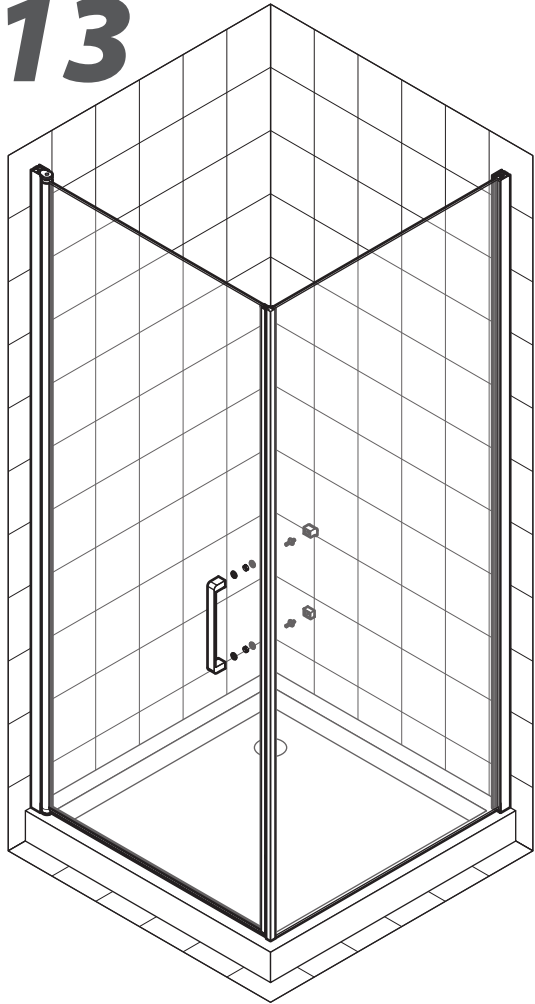
 3,5x9,5 mm x4

 x4

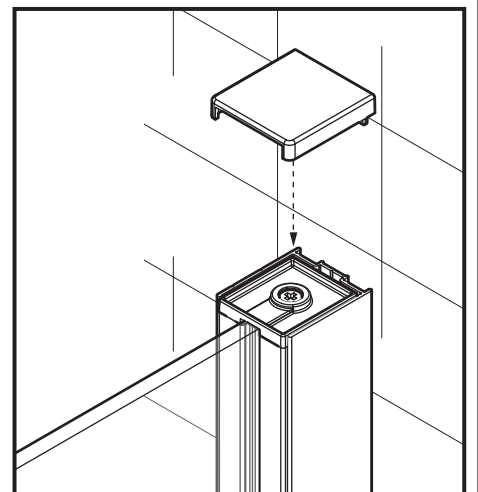
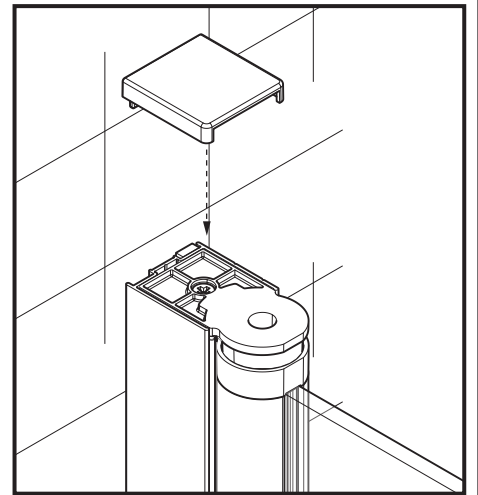
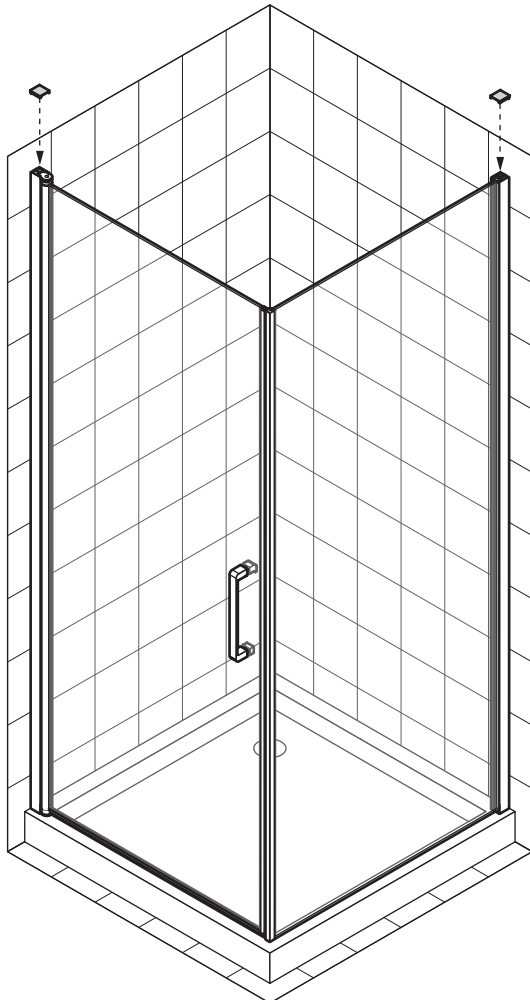
12



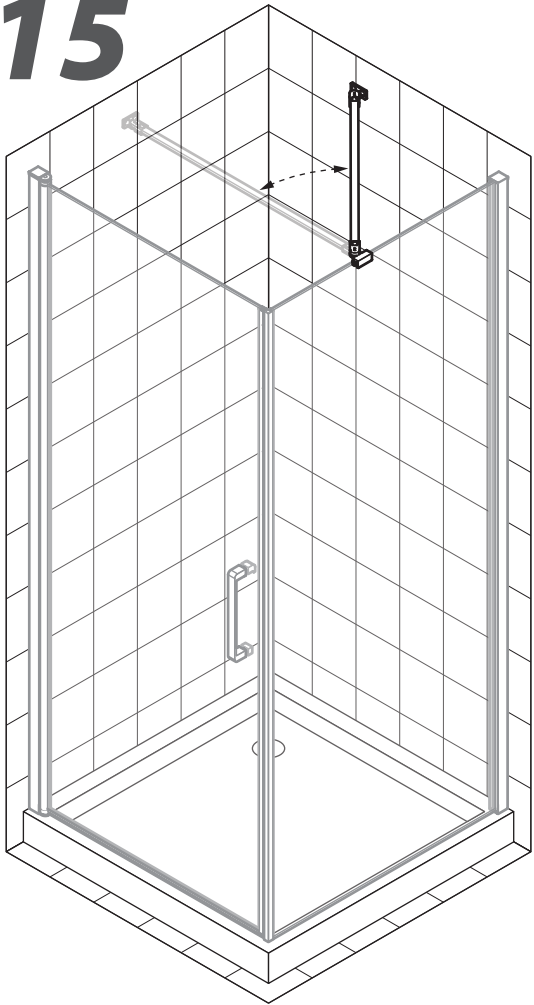
13



14




15



 3,5x9,5 x2

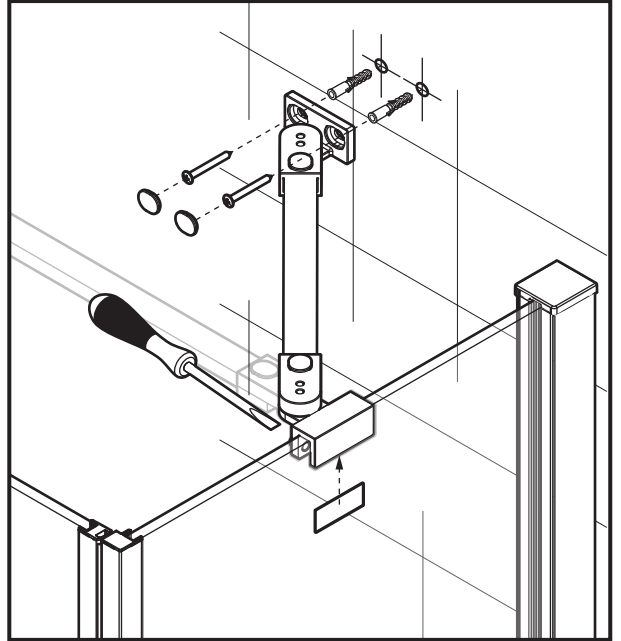
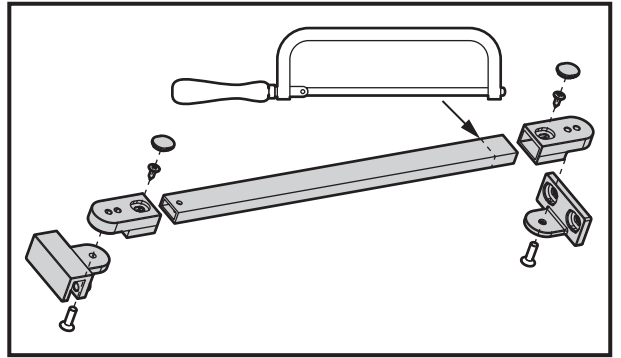
 M5x8 x2

 M5x16 x2

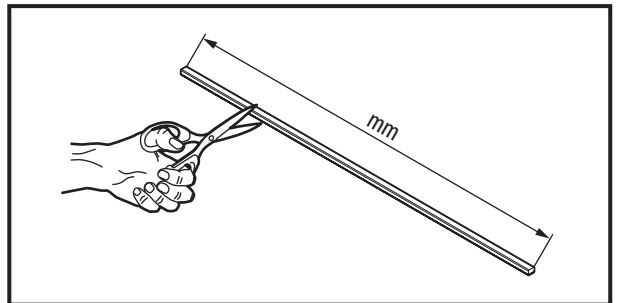
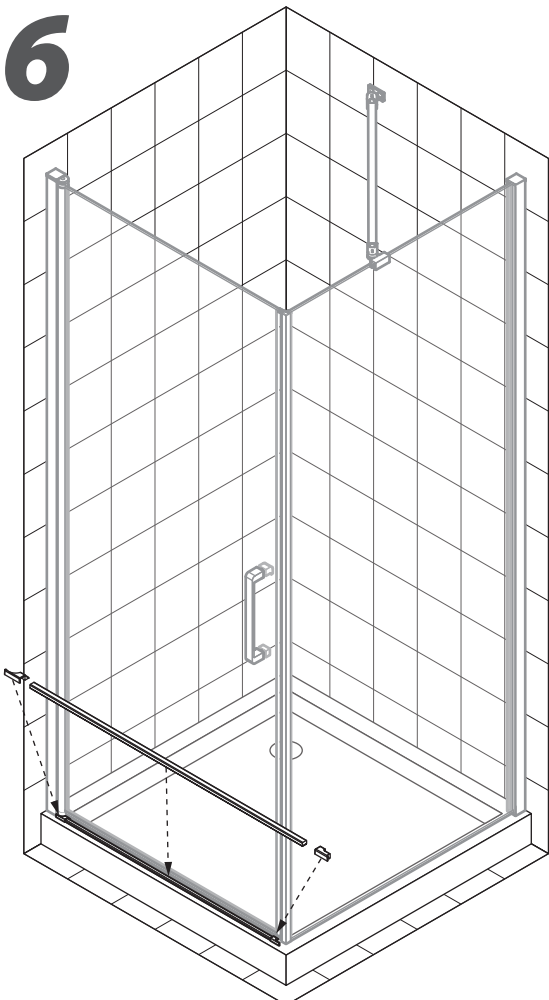
 S6 x2

 4x35 x2

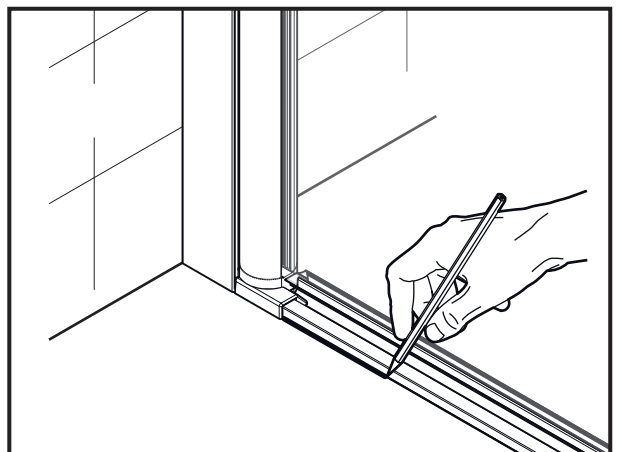
 ø6 mm



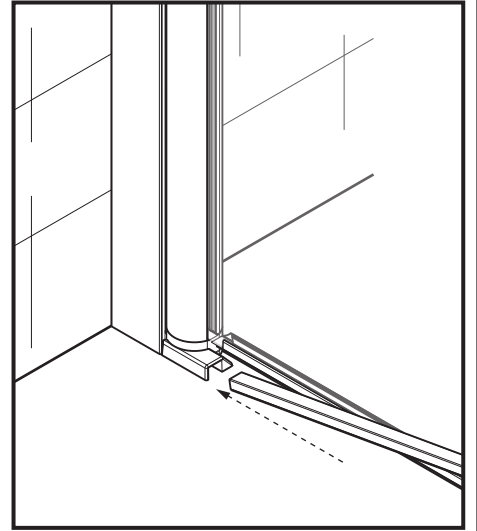
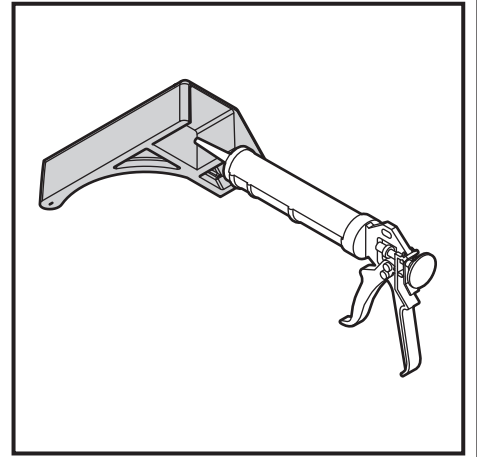
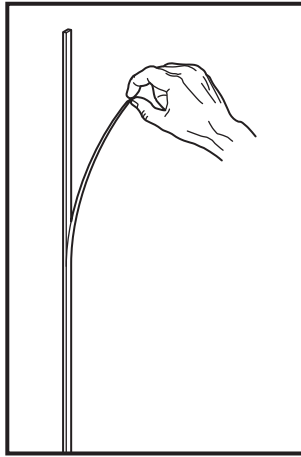
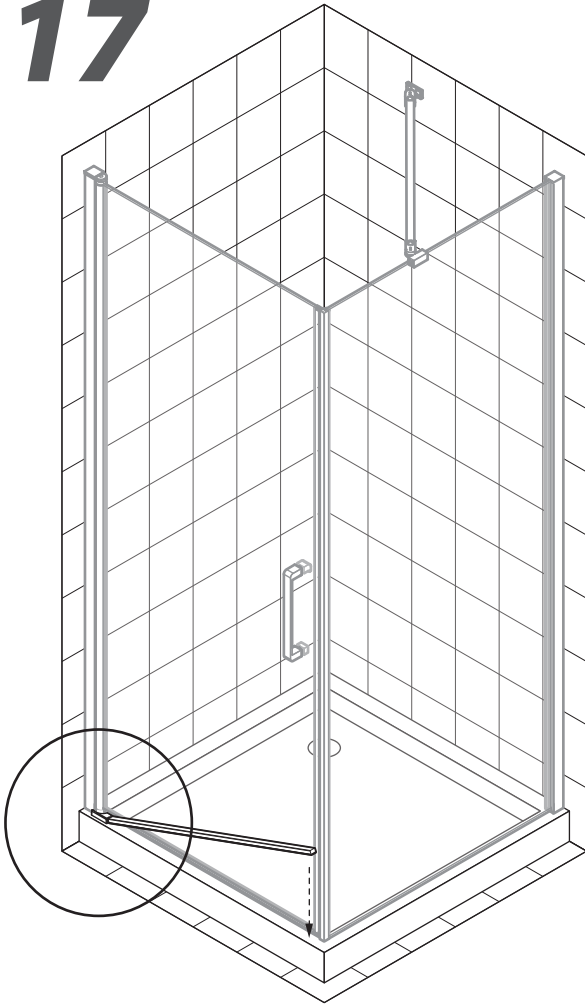
16



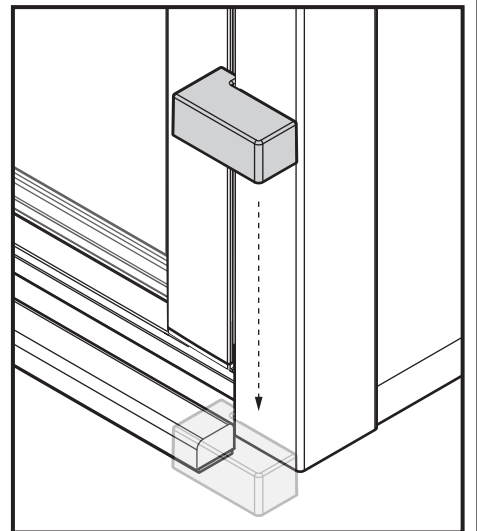
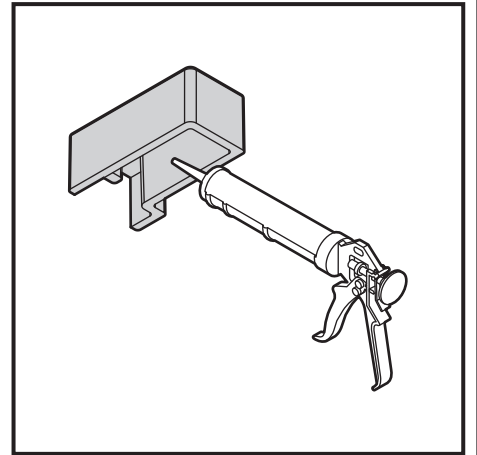
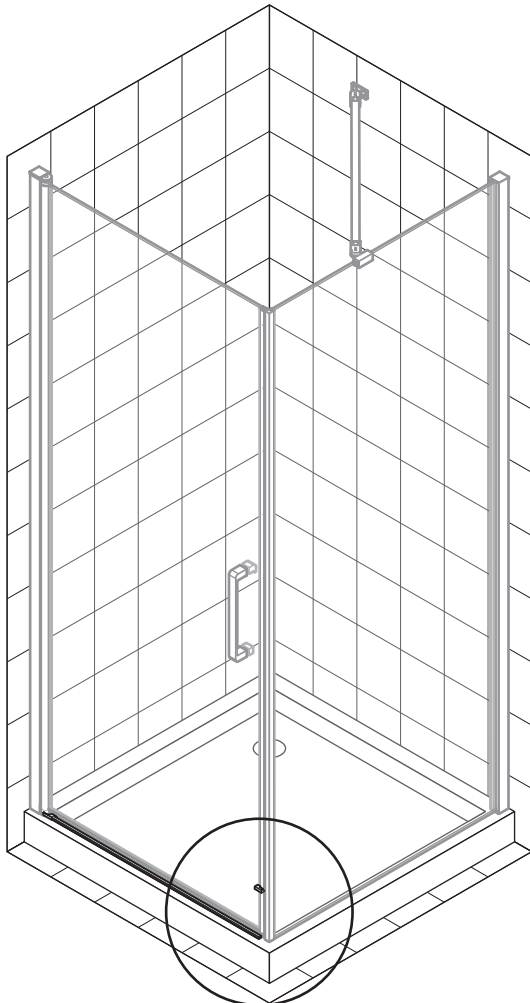
mod. G	mm
87-89	772
97-99	872



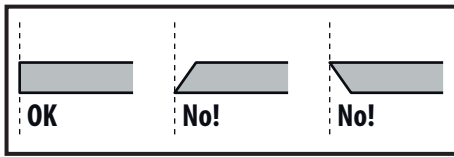
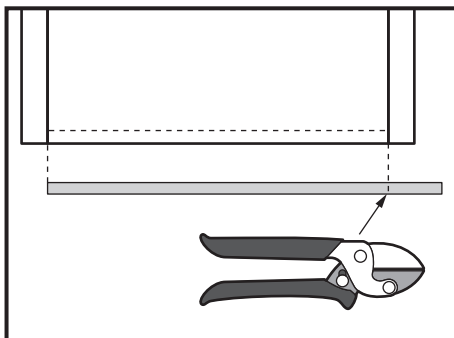
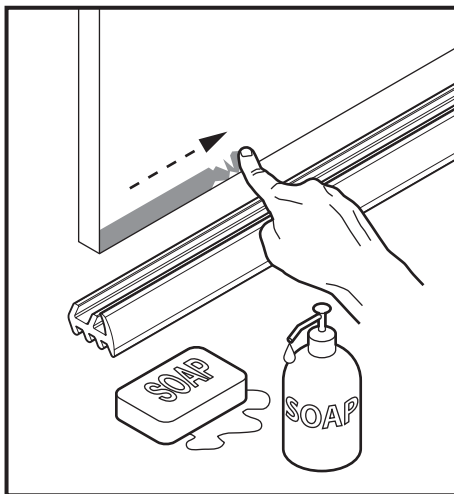
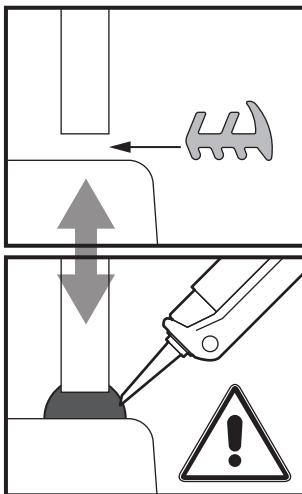
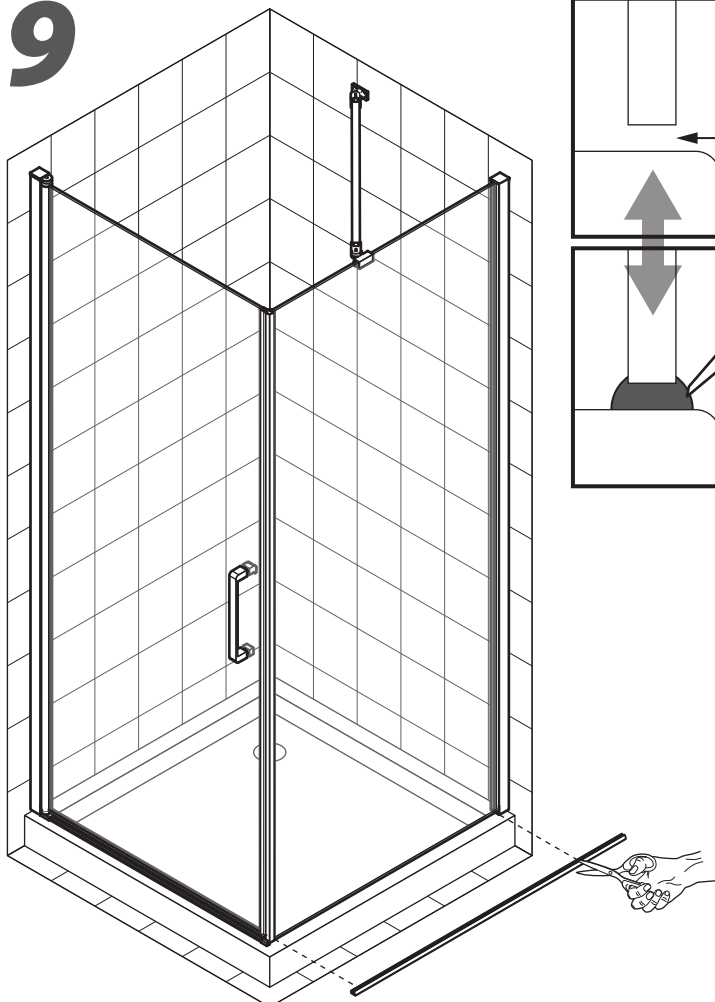
17



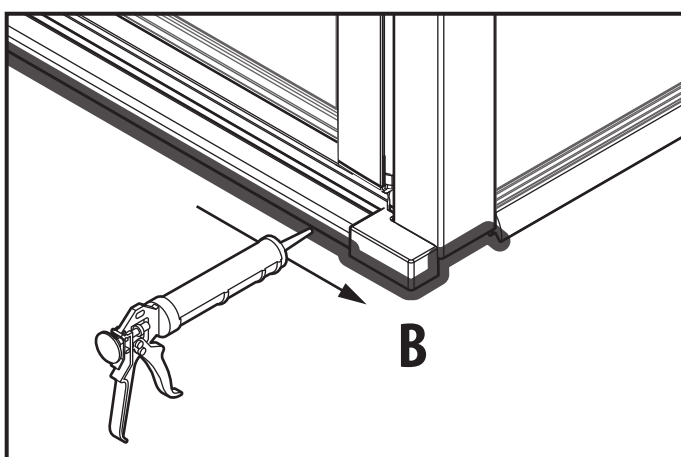
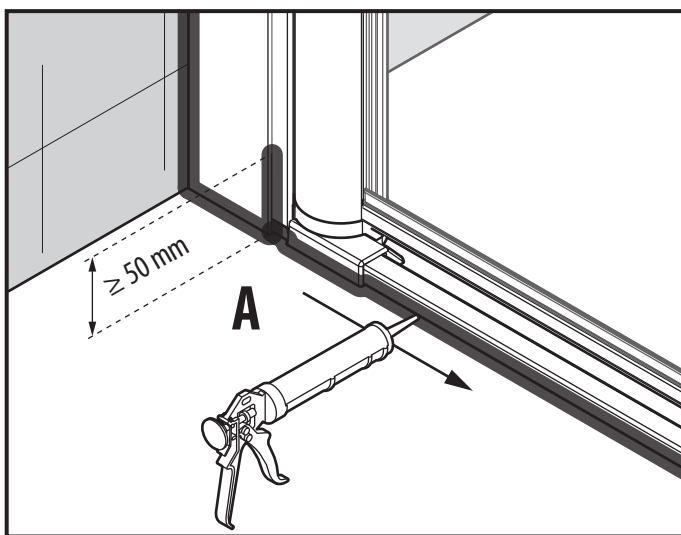
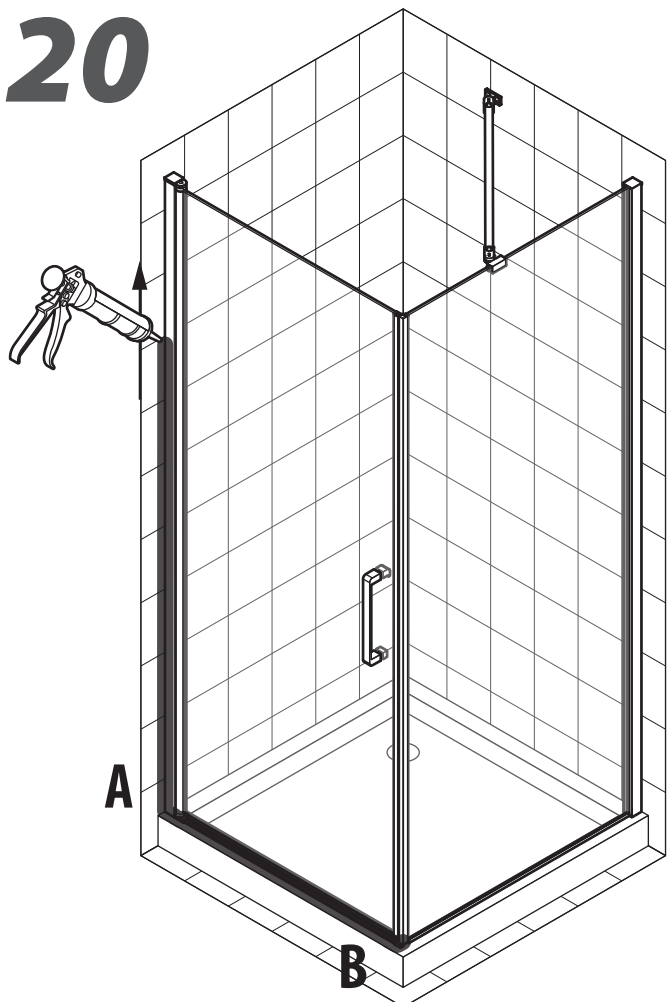
18



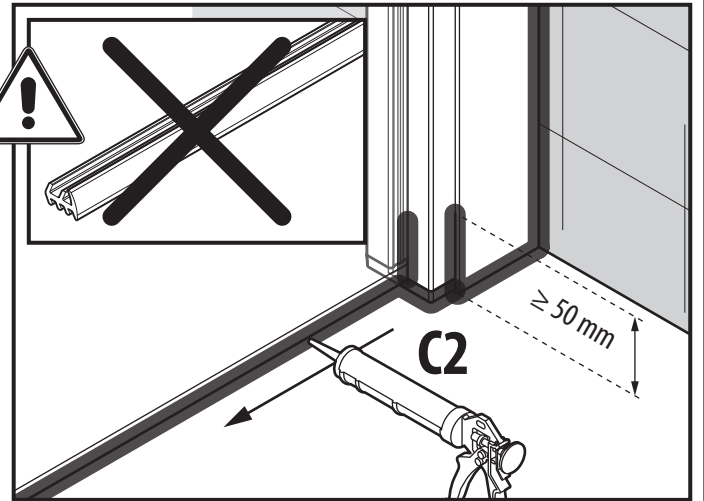
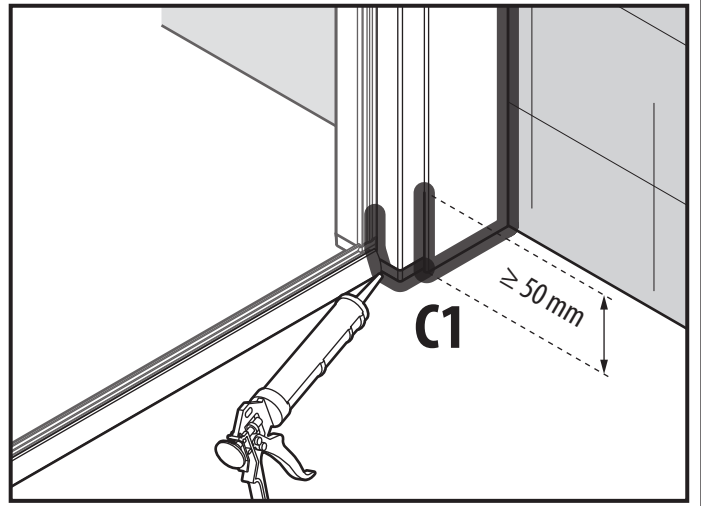
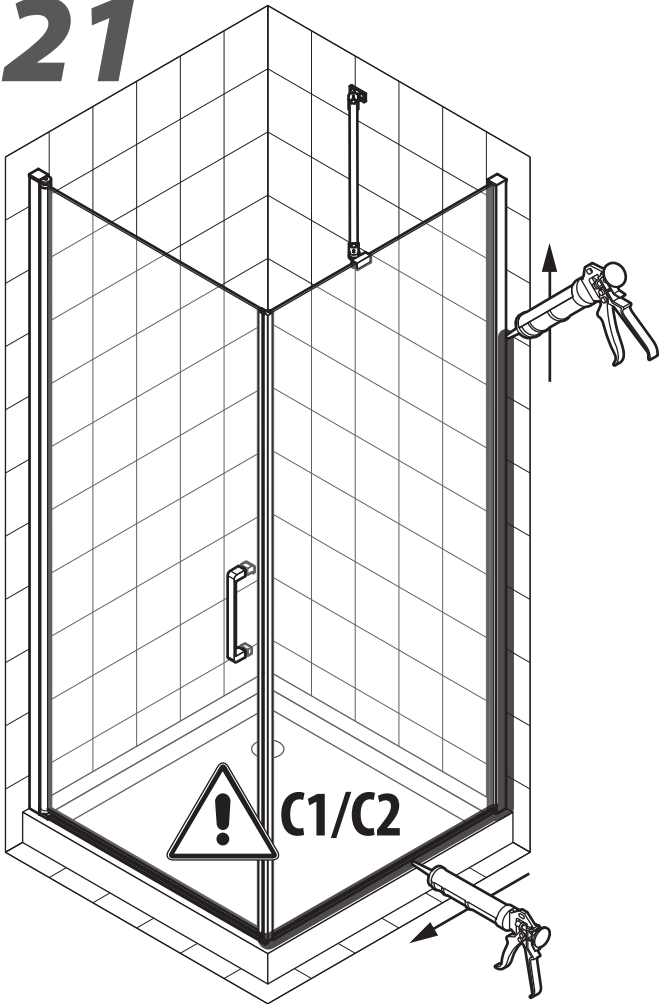
19



20



21



22

