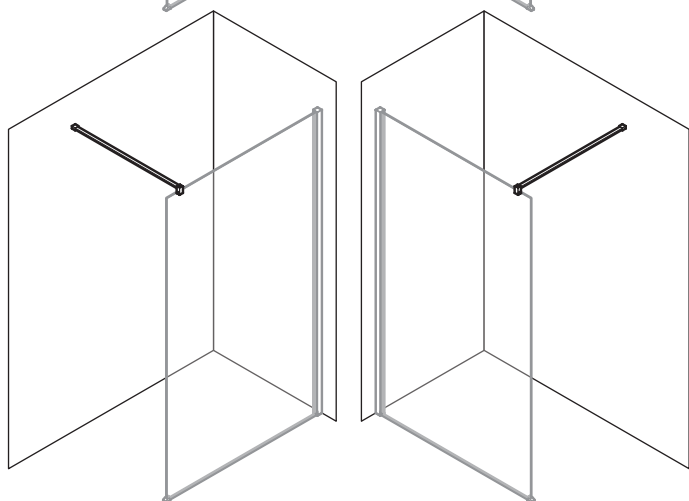
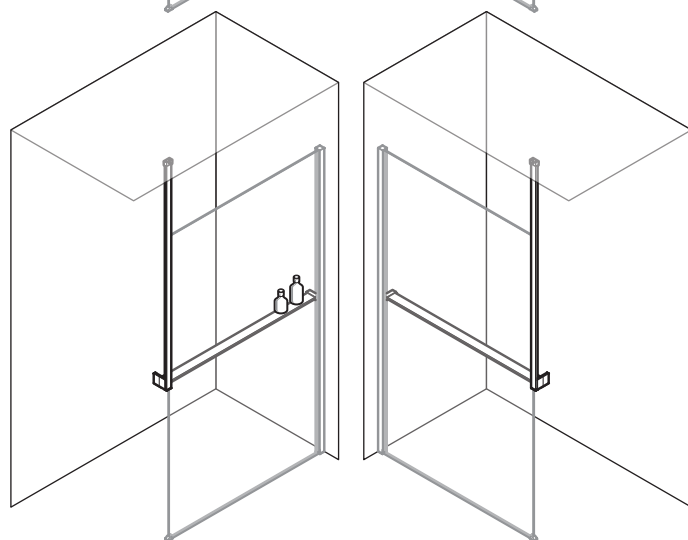
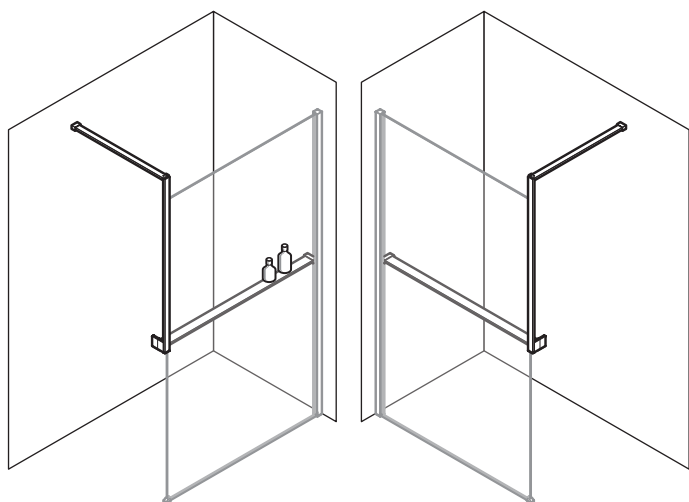
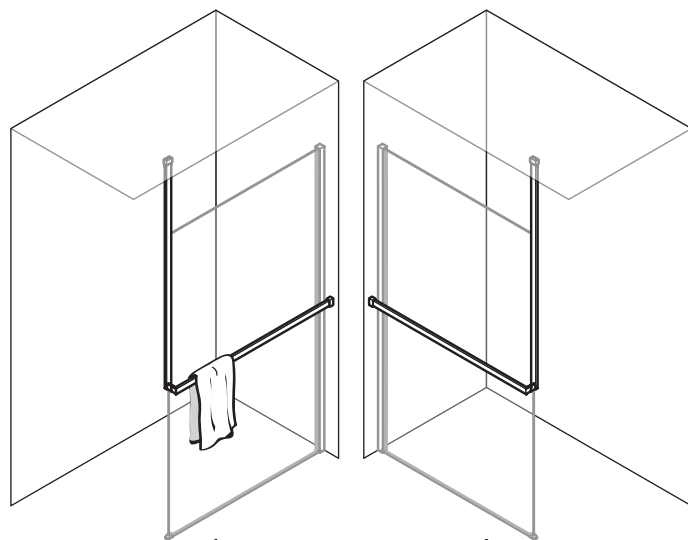
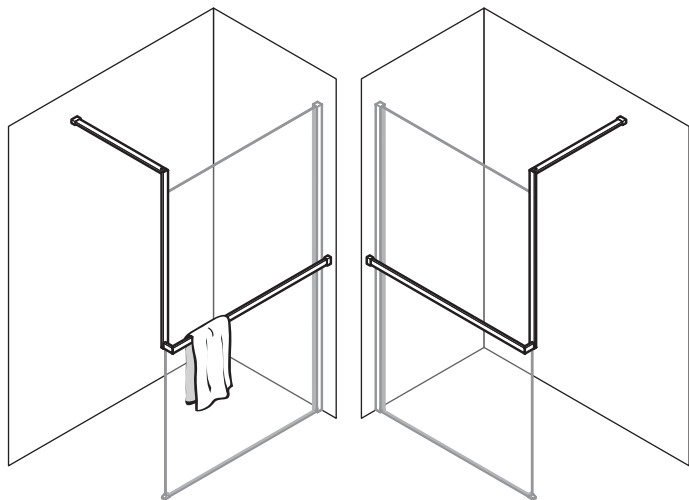
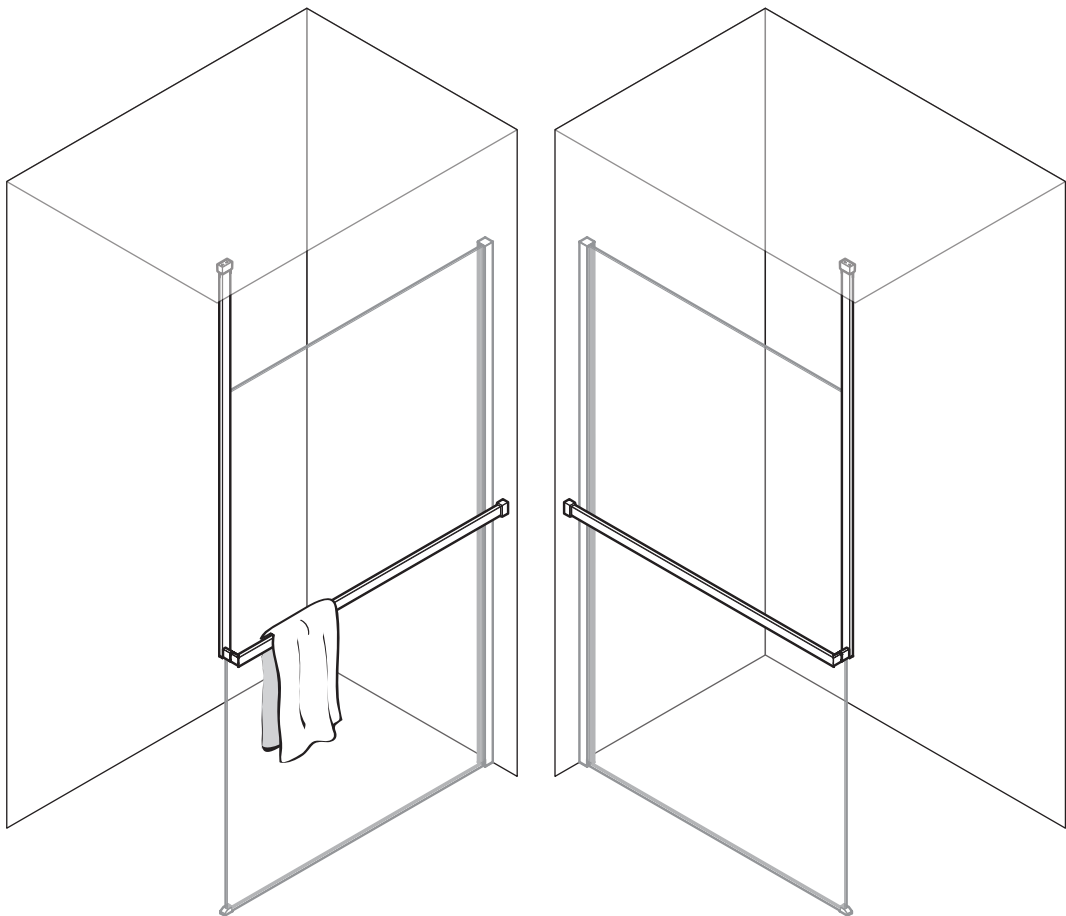
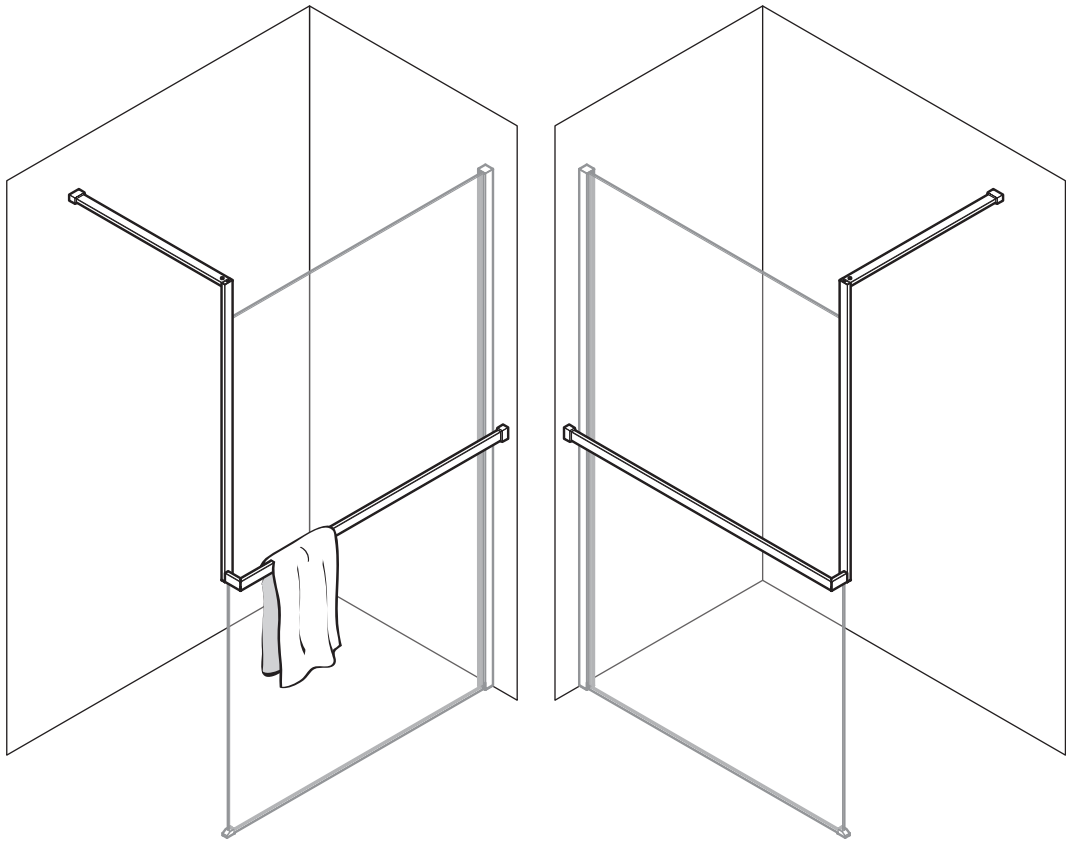
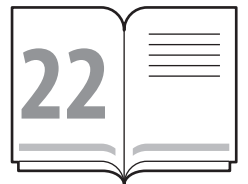
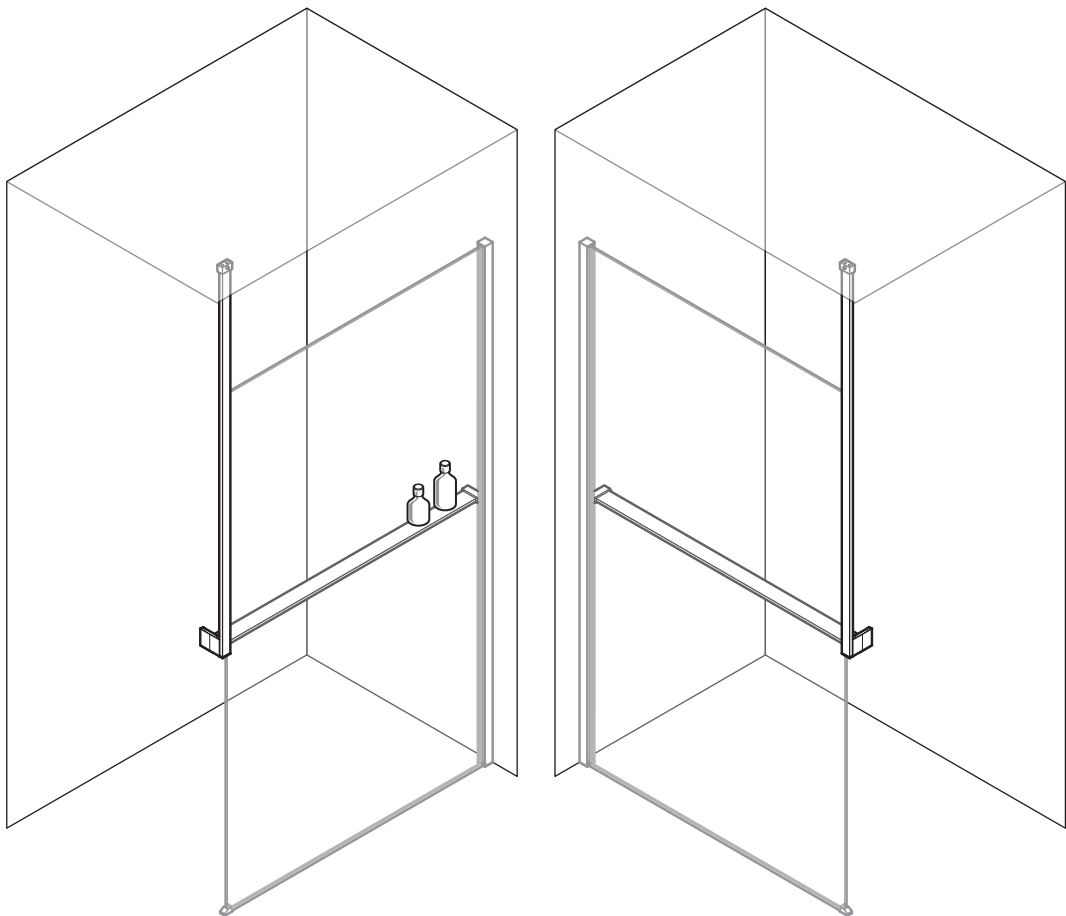
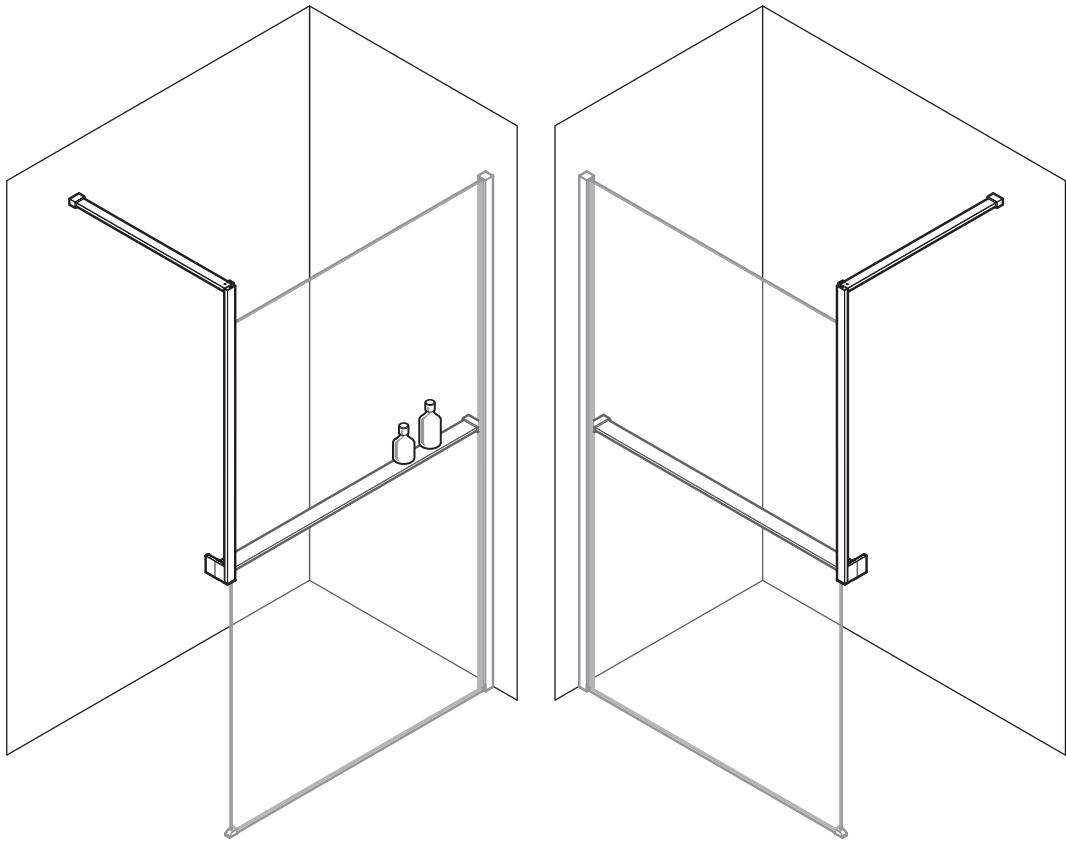


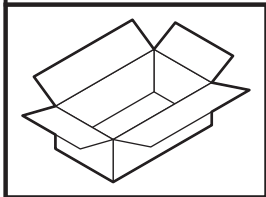
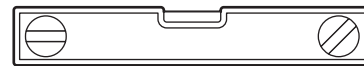
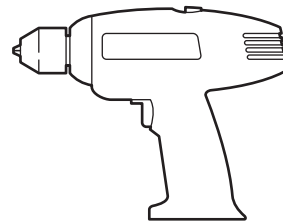
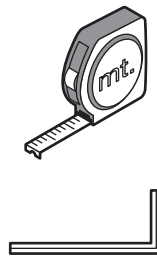
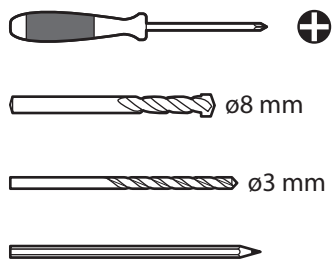
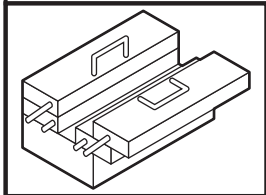
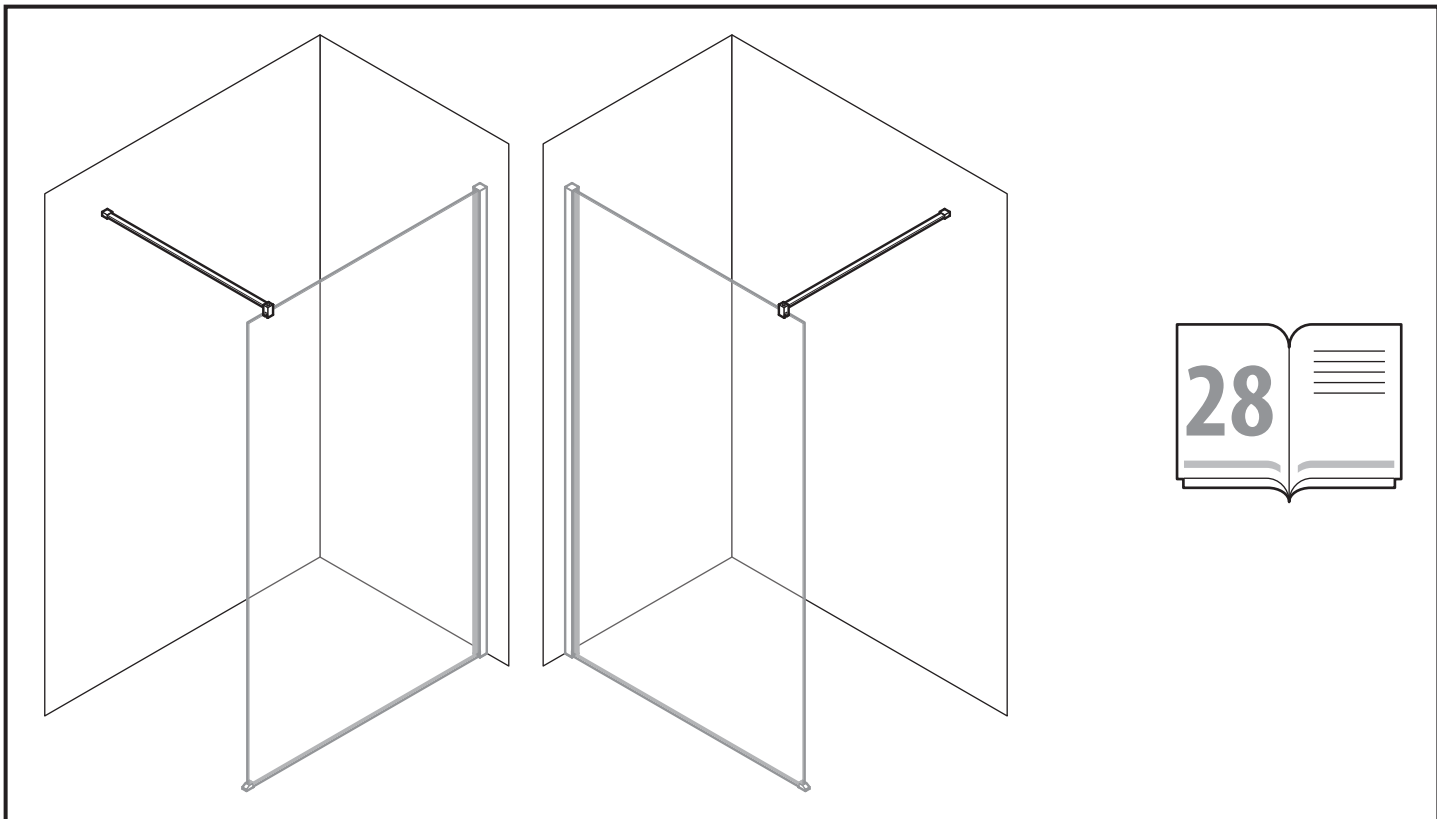
# STABI-KIT



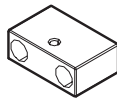
<hr/> <hr/> <hr/> <hr/>	<hr/> <hr/> <hr/> <hr/>
-------------------------	-------------------------



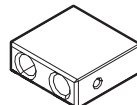




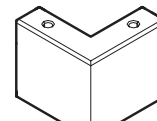
x1



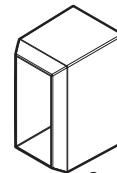
x1



x1



x1



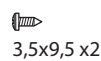
x2



FU8x50 x4



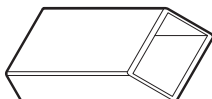
3,5x19 x4



3,5x9,5 x2



M4x6 x1



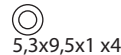
x1



4,5x60 x4



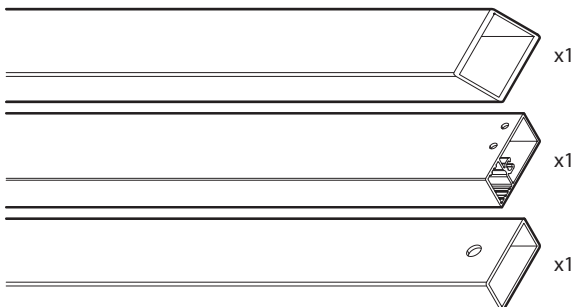
M4x8 x3



5,3x9,5x1 x4



3,5x13 x2



x1

x1

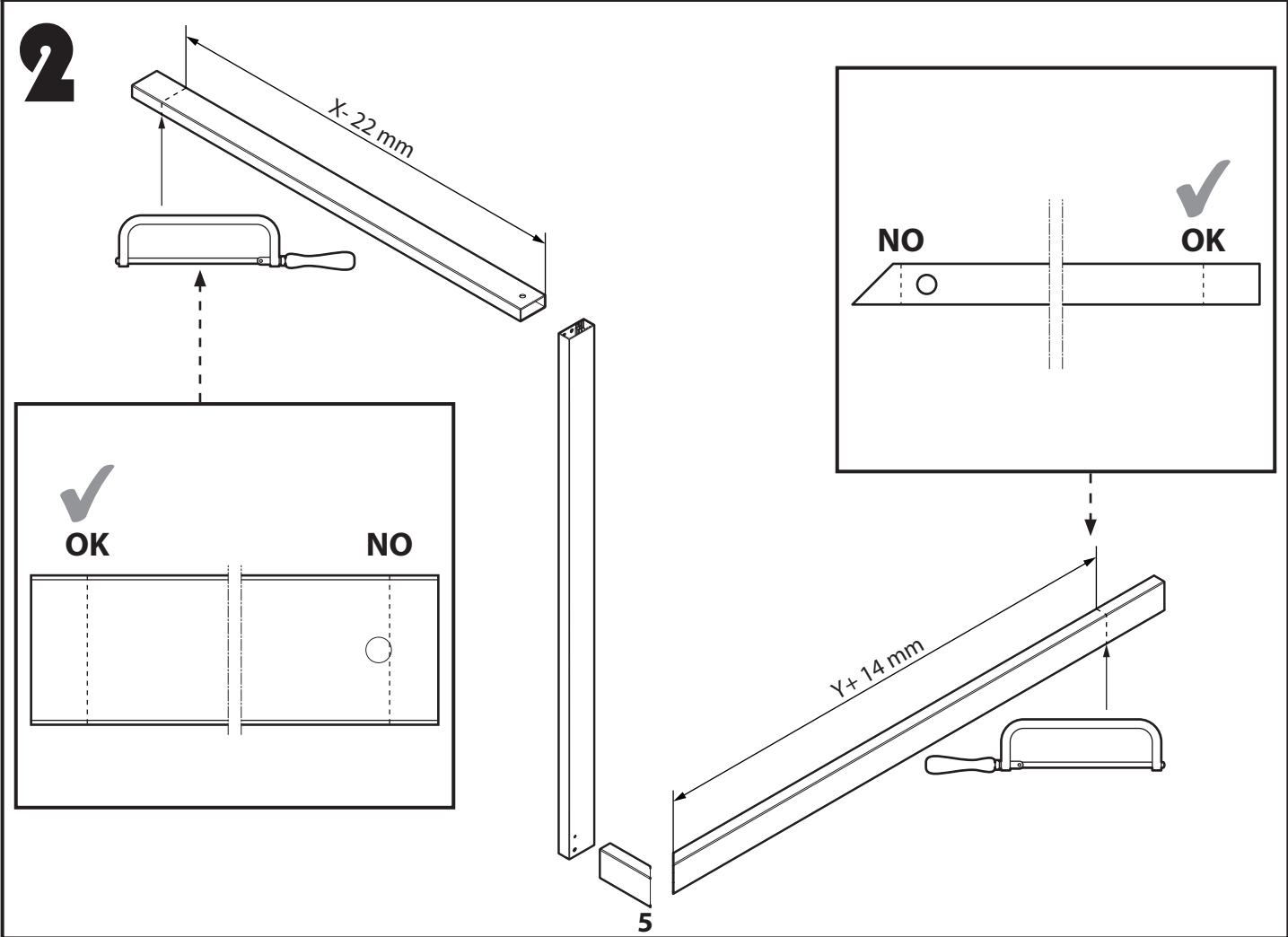
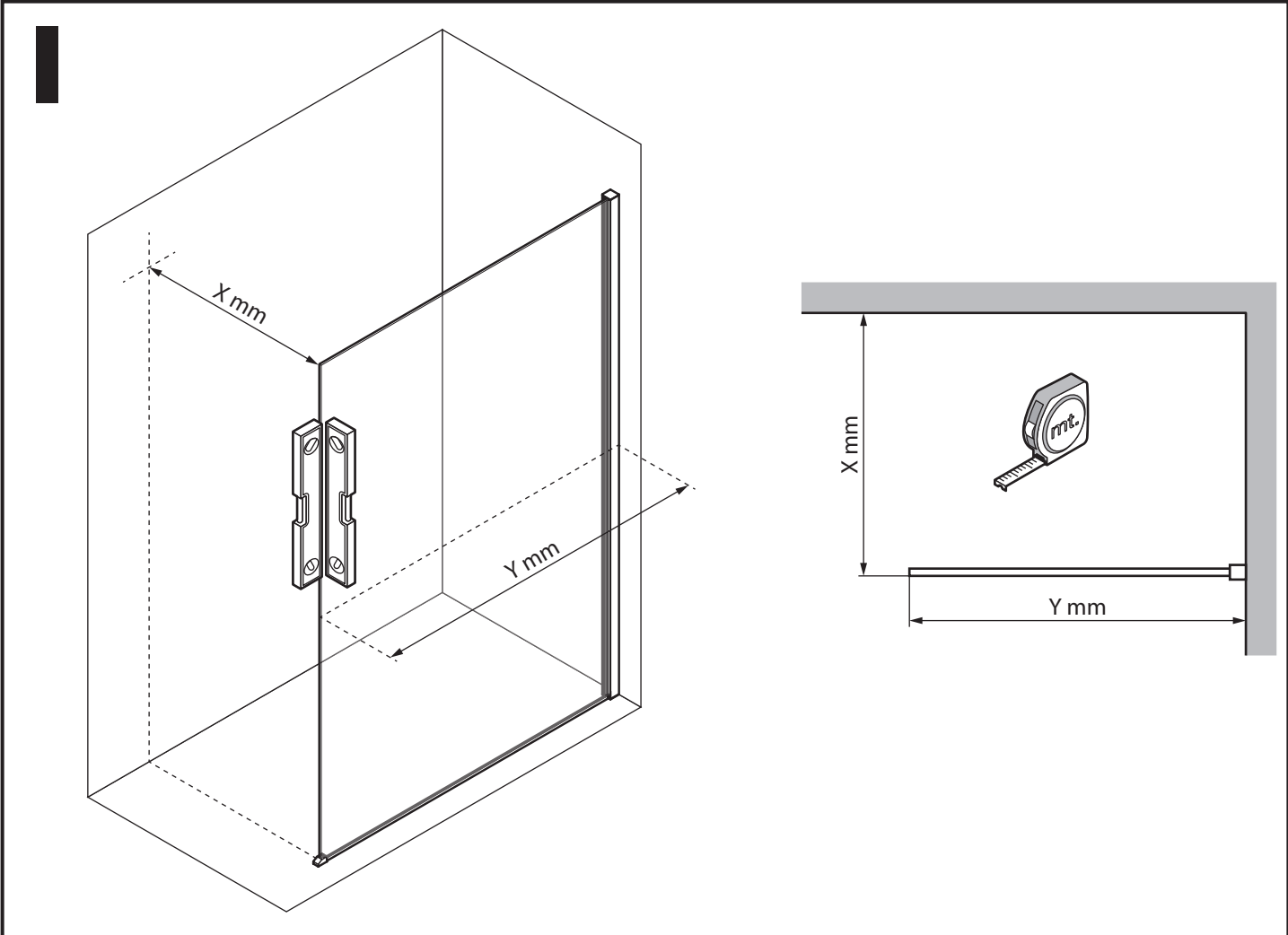
x1



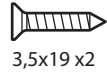
x1







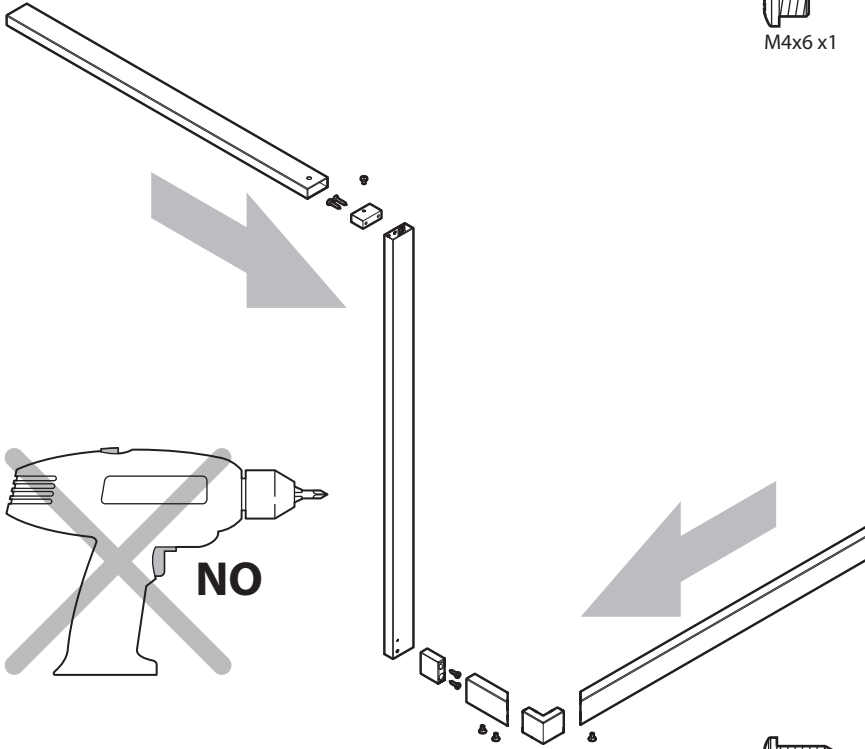
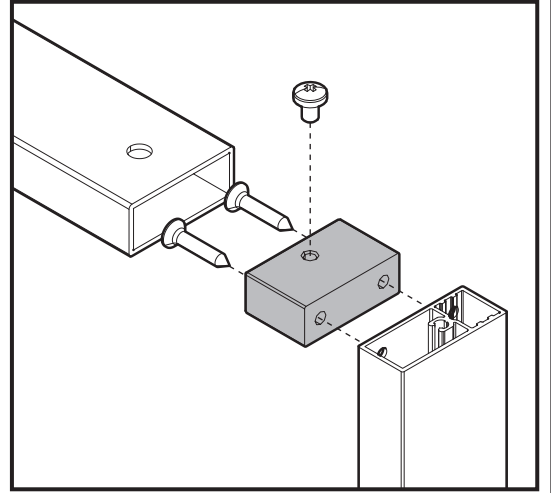
# 3



3,5x19 x2



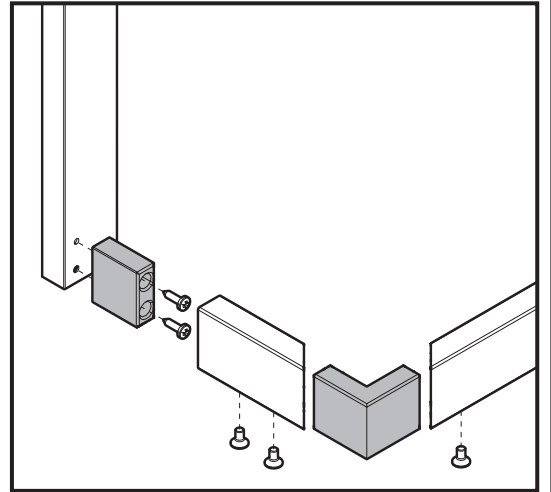
M4x6 x1



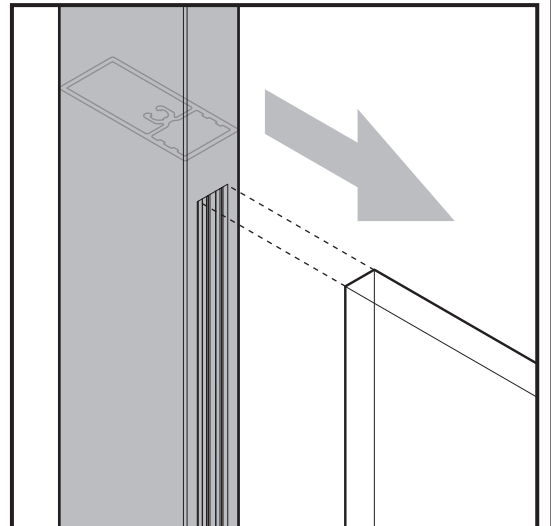
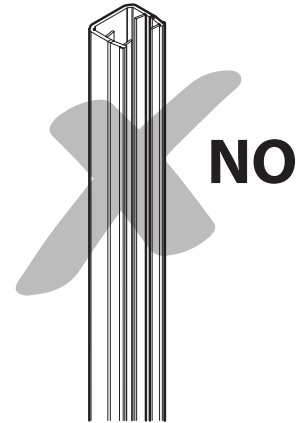
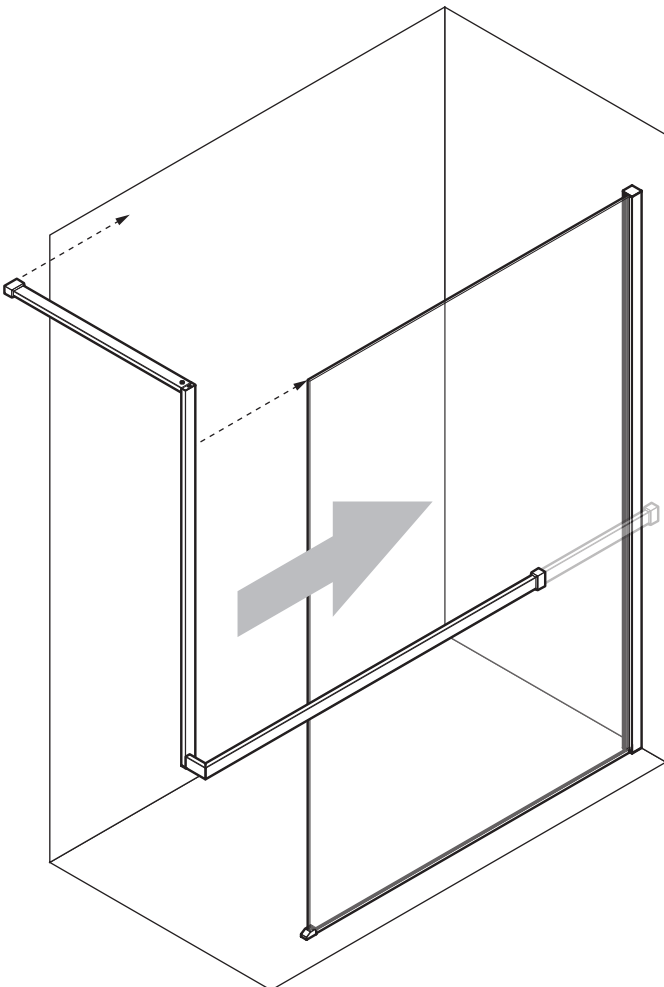
3,5x13 x2



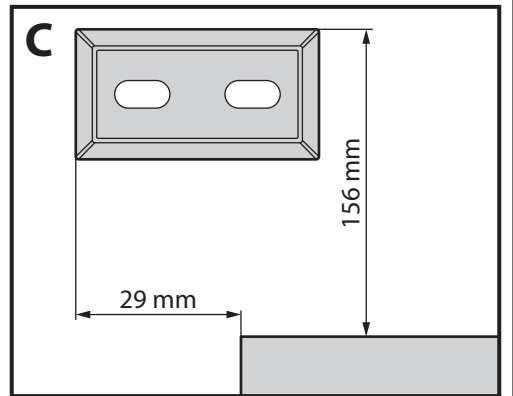
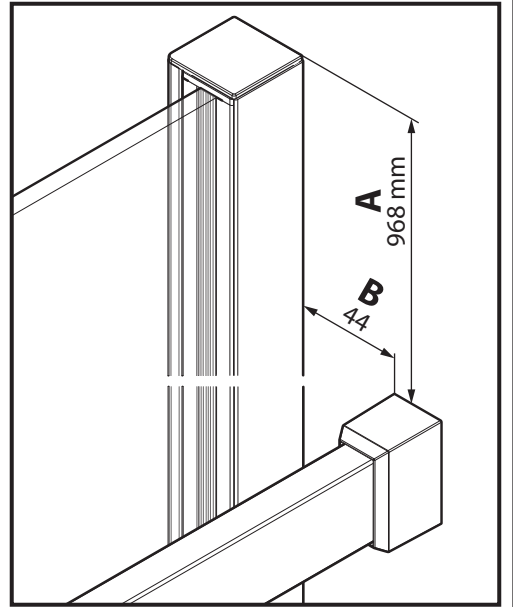
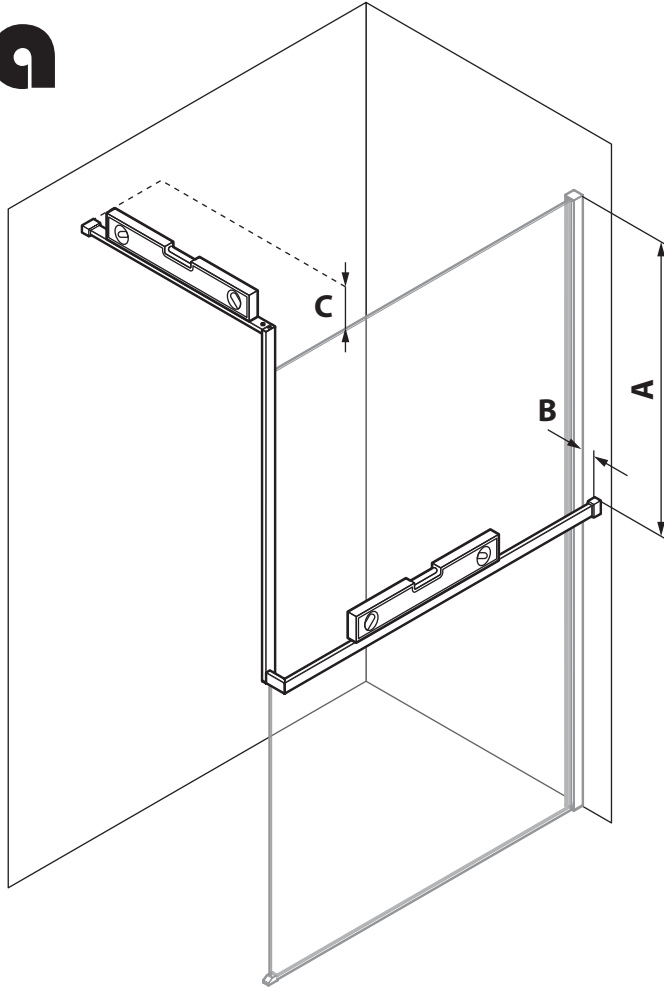
M4x8 x3



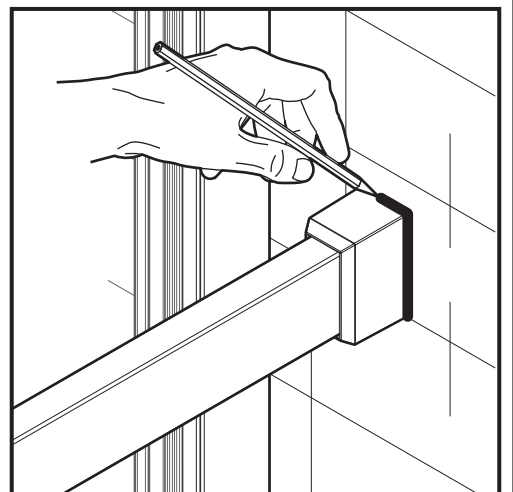
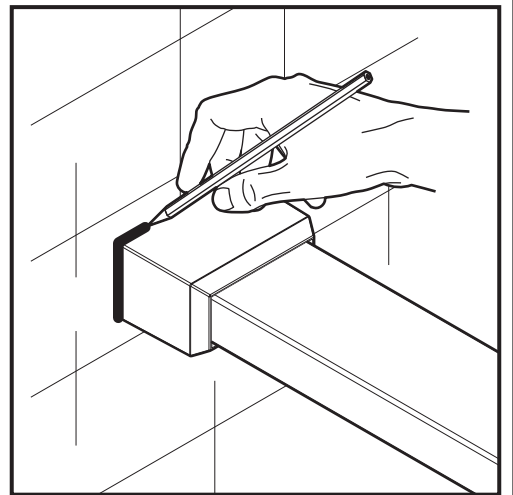
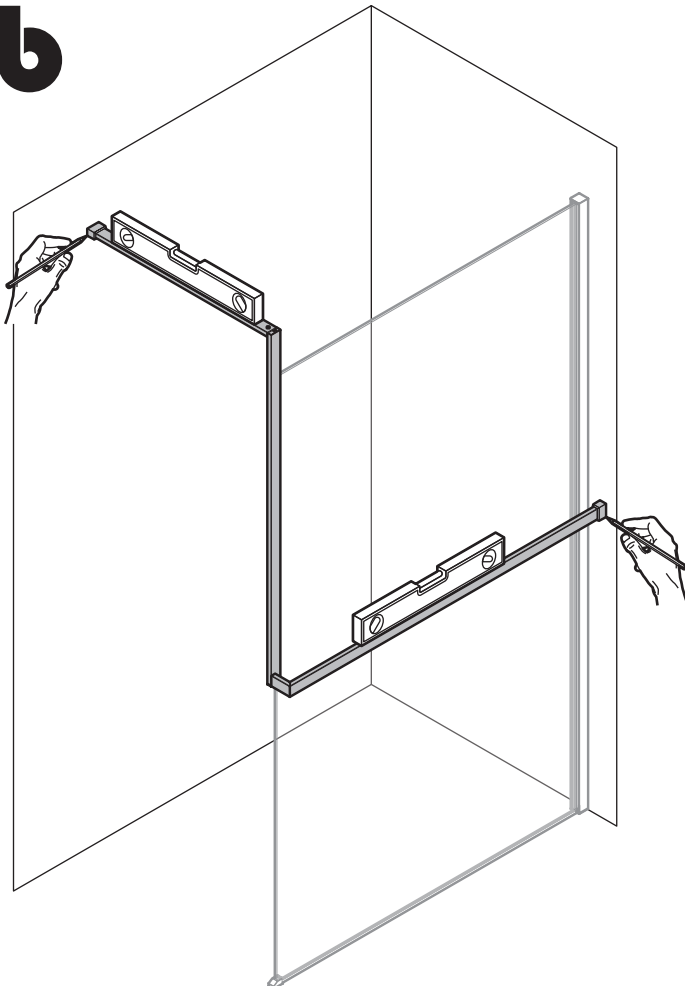
# 4



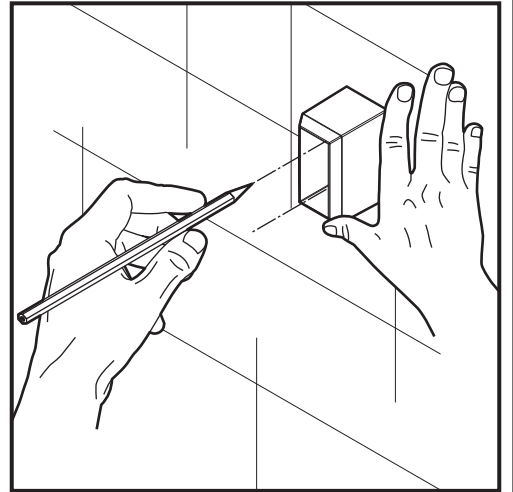
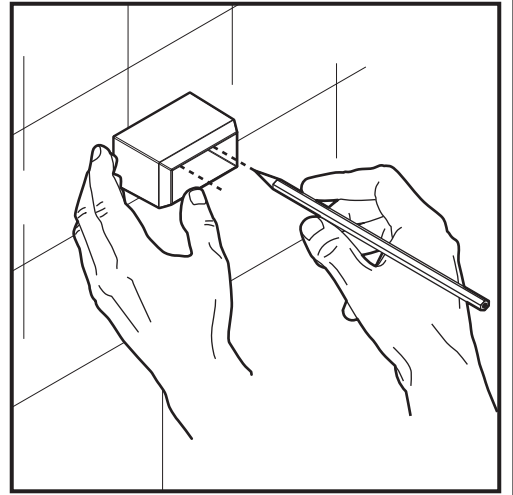
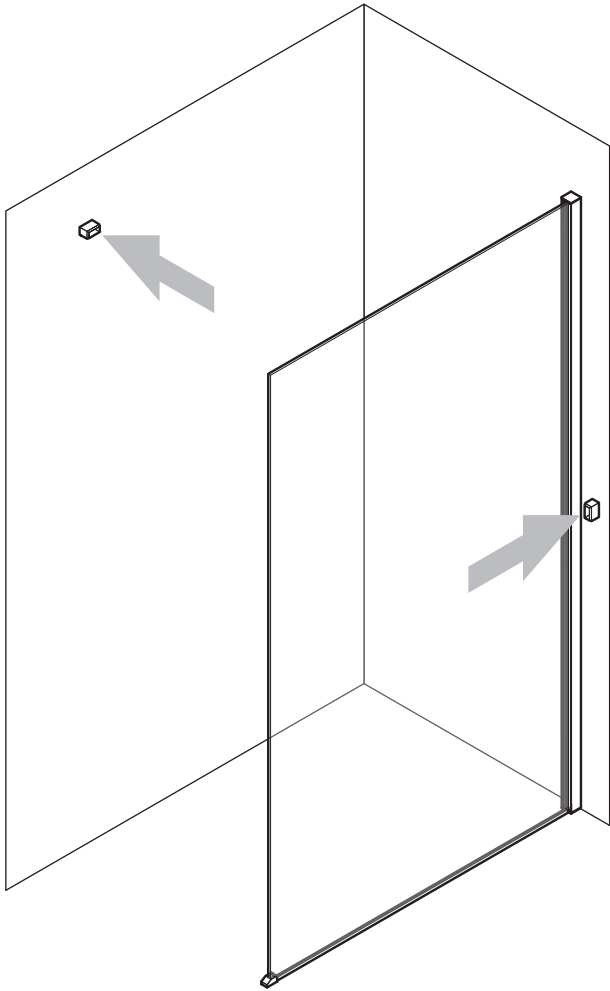
# 5a



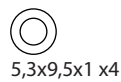
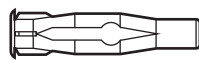
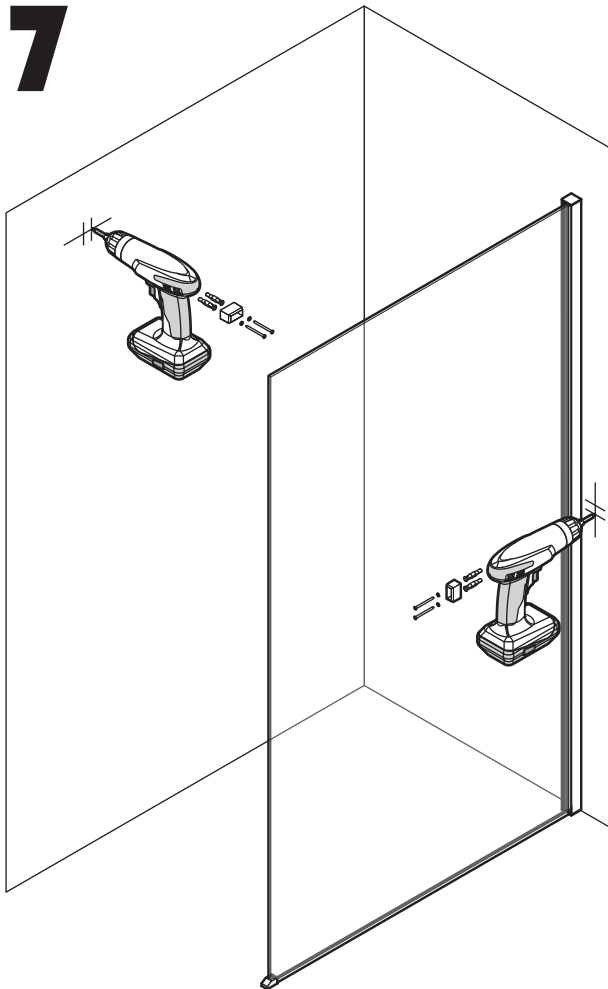
# 5b



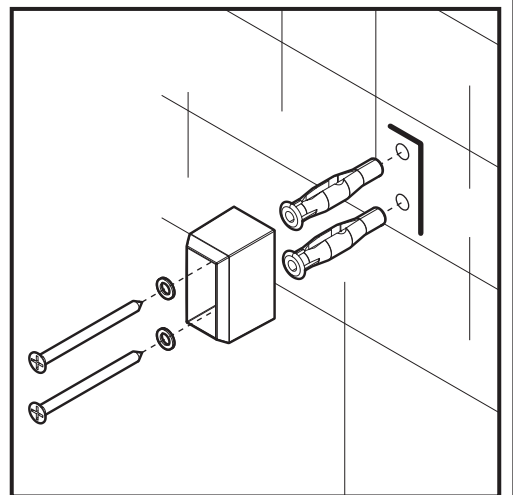
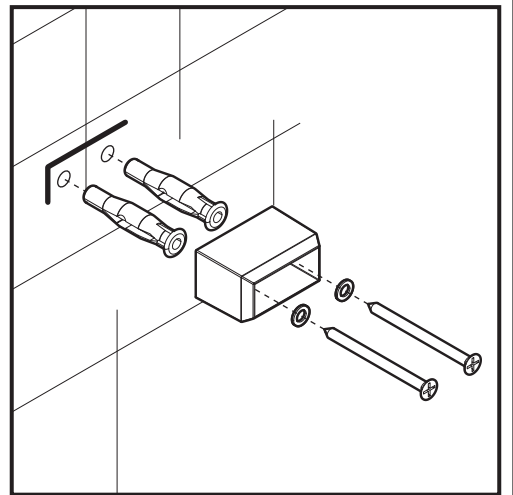
**6**



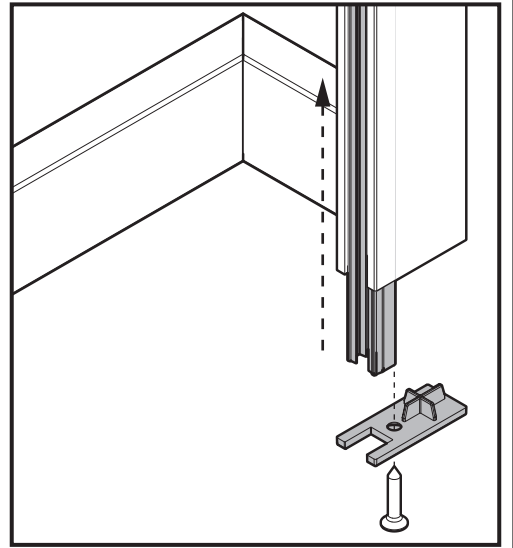
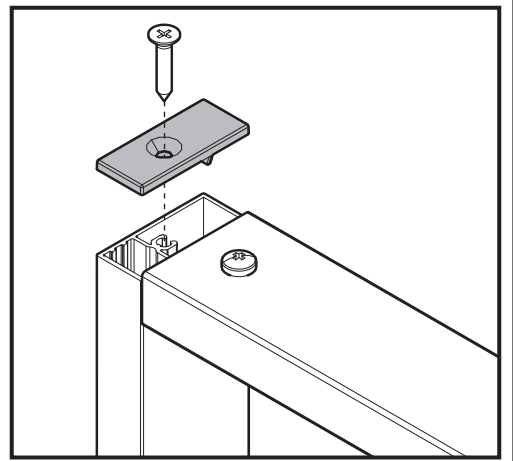
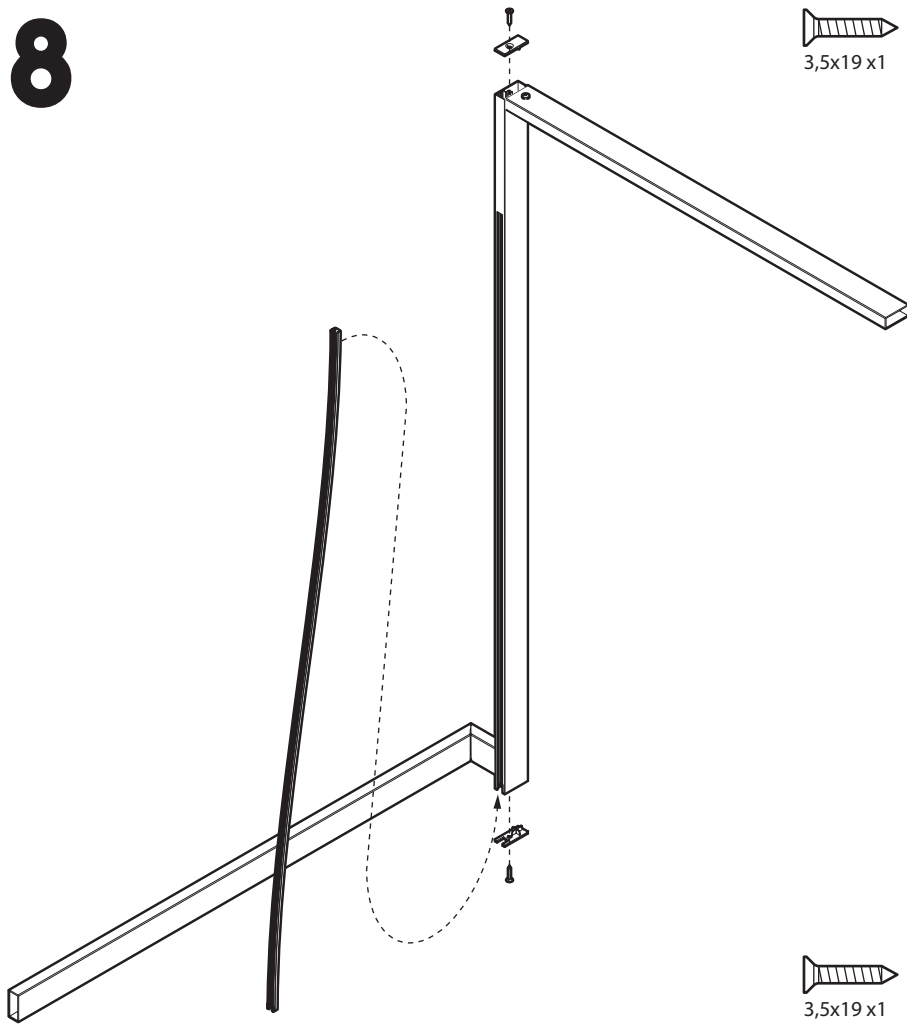
**7**



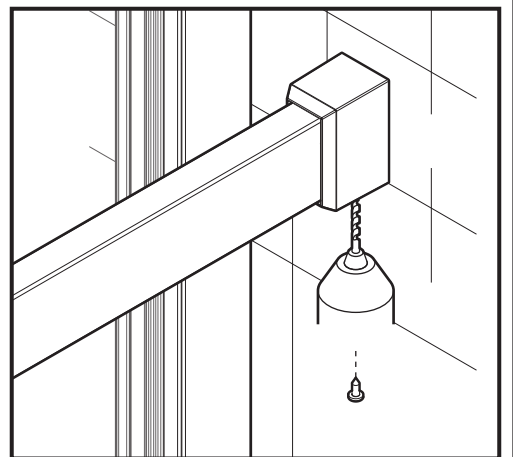
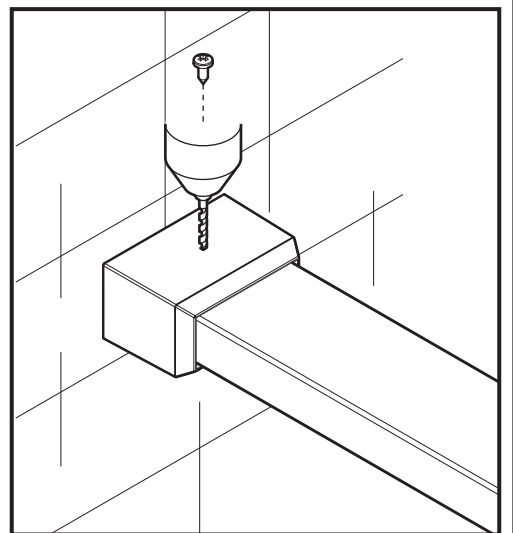
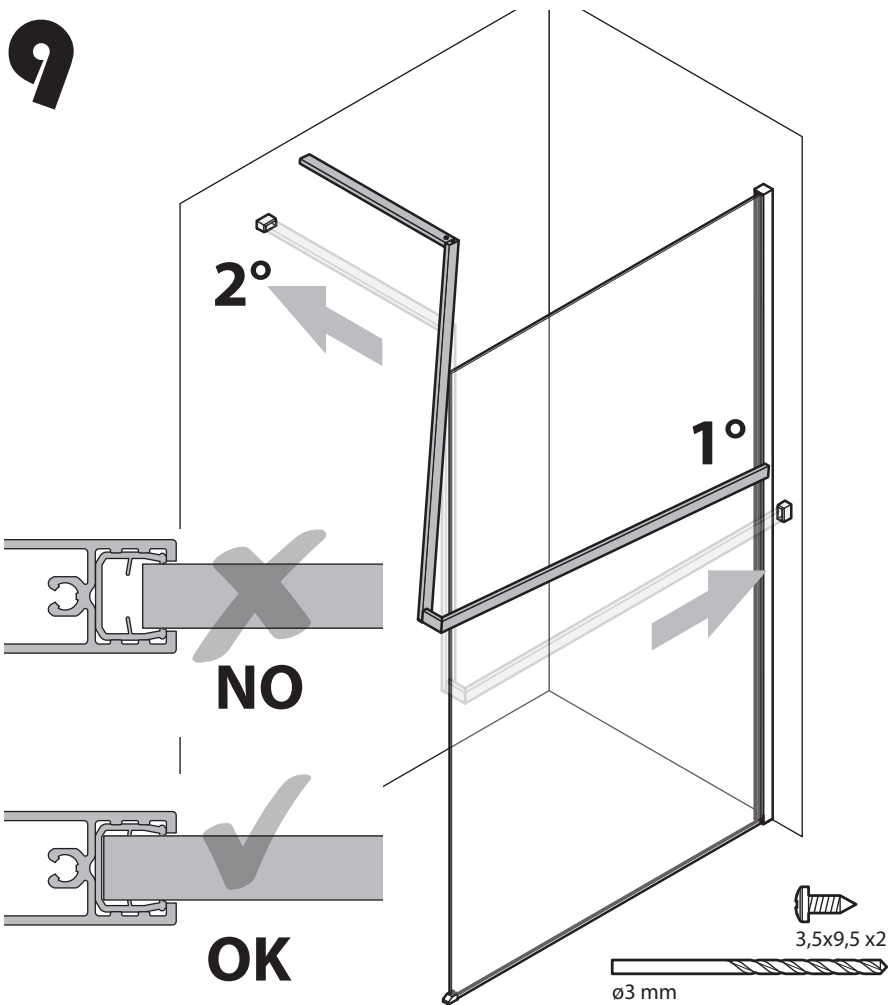
**8**

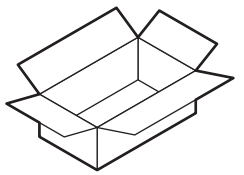
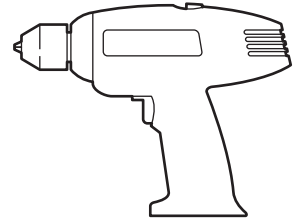
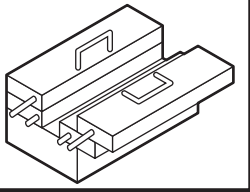


8

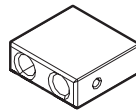


9

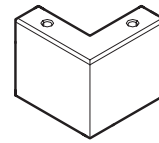




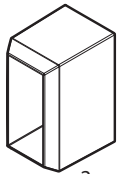
x1



x1



x1



x2



FU8x50 x4



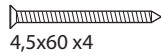
3,5x19 x4



3,5x9,5 x2



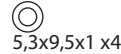
M4x6 x1



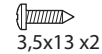
4,5x60 x4



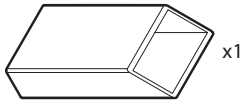
M4x8 x3



5,3x9,5x1 x4



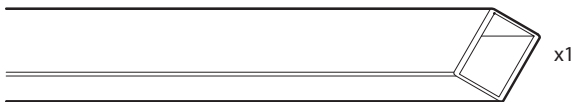
3,5x13 x2



x1



x1

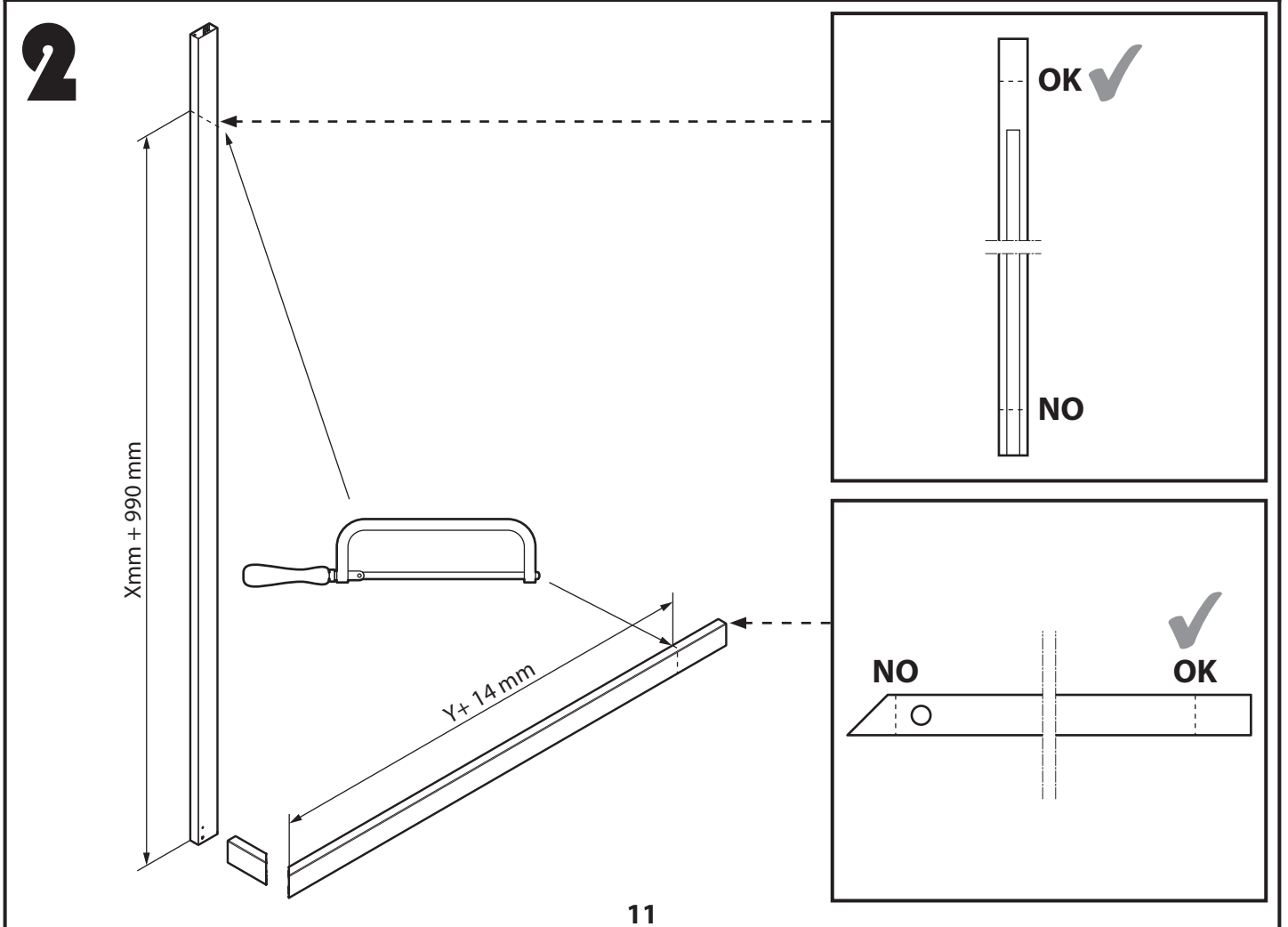
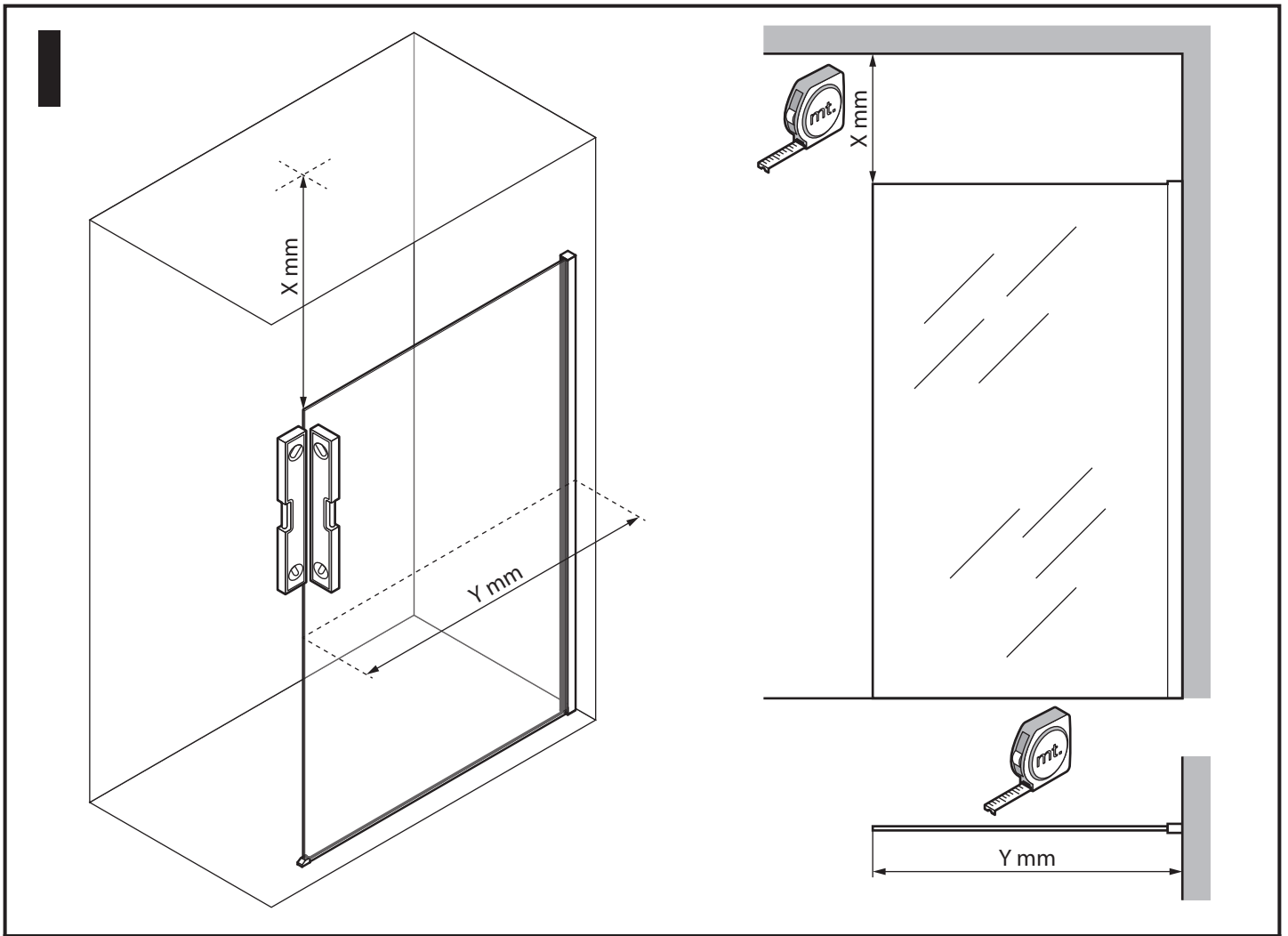


x1

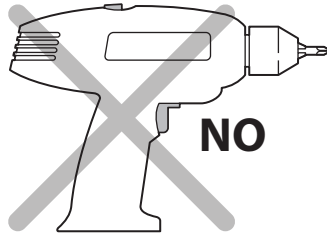


x1

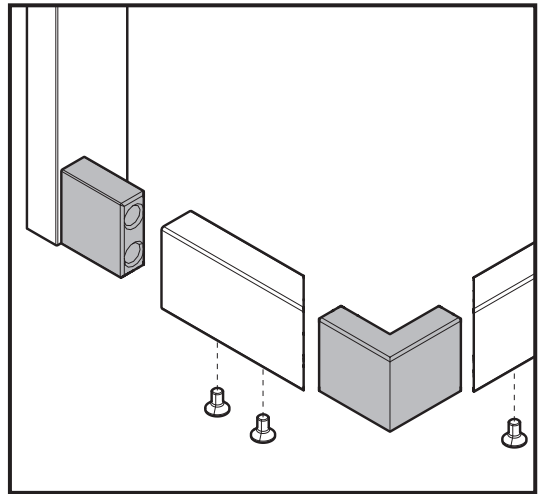
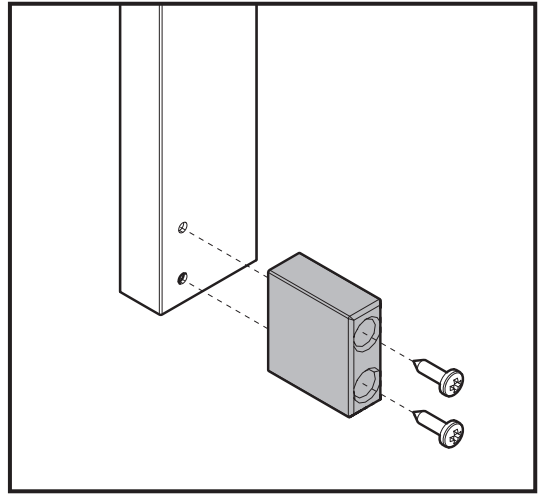
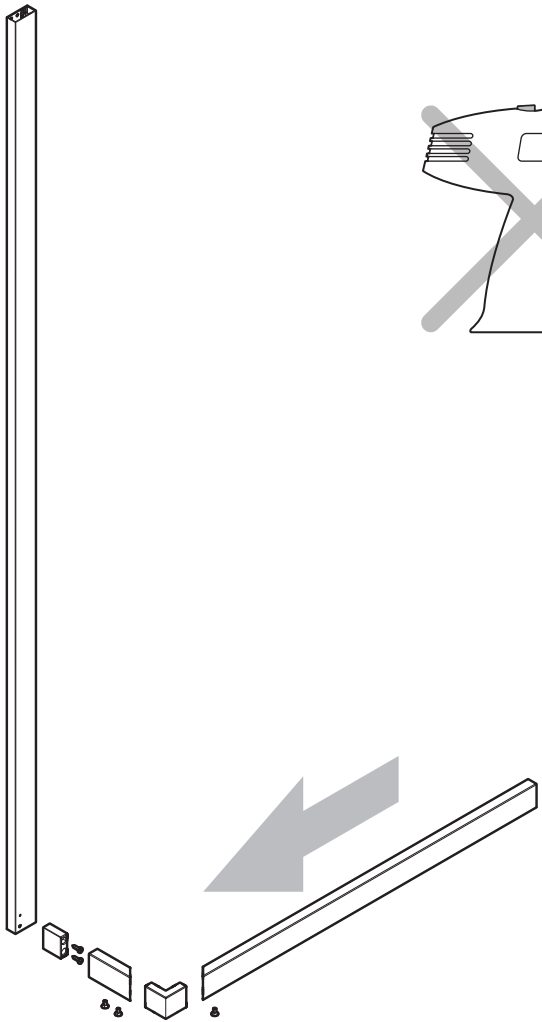




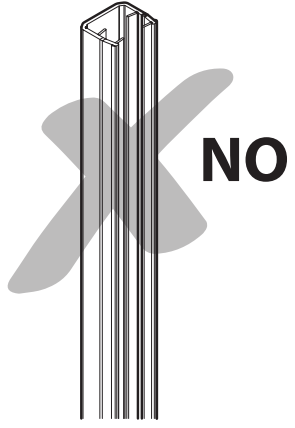
**3**



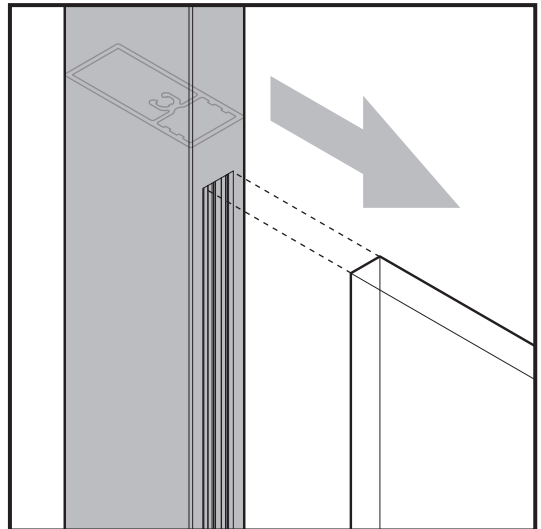
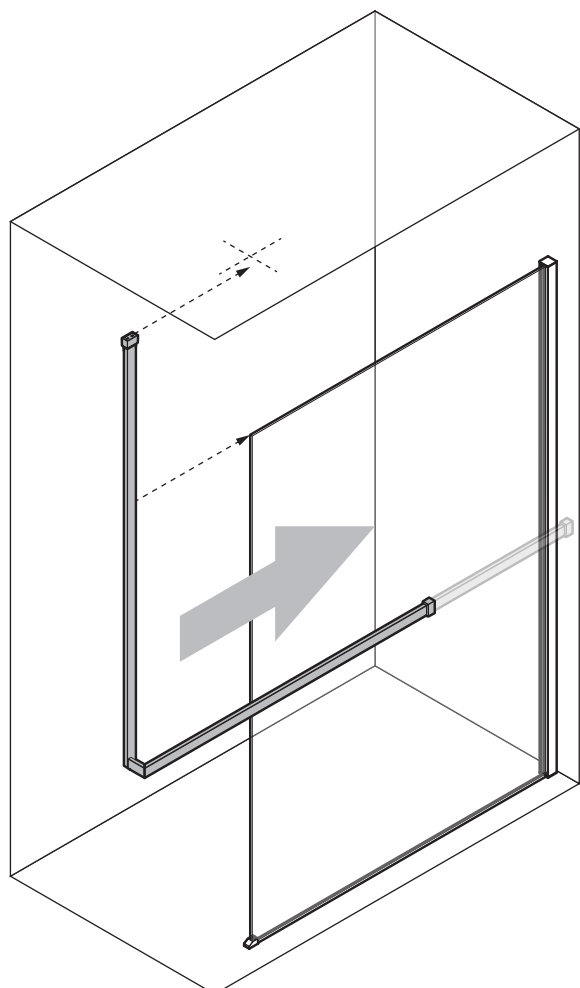
**NO**



**4**

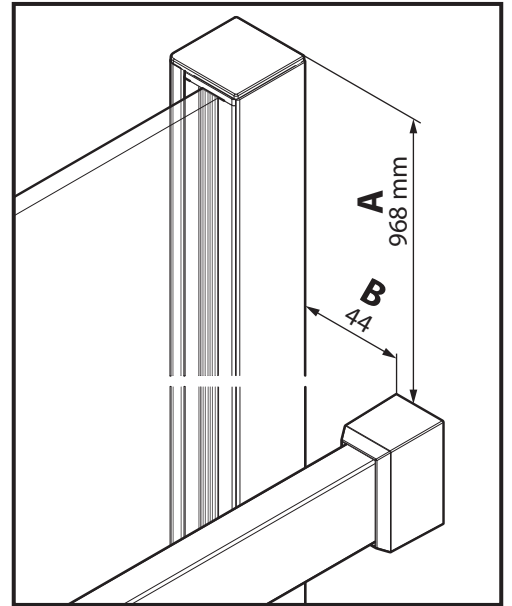
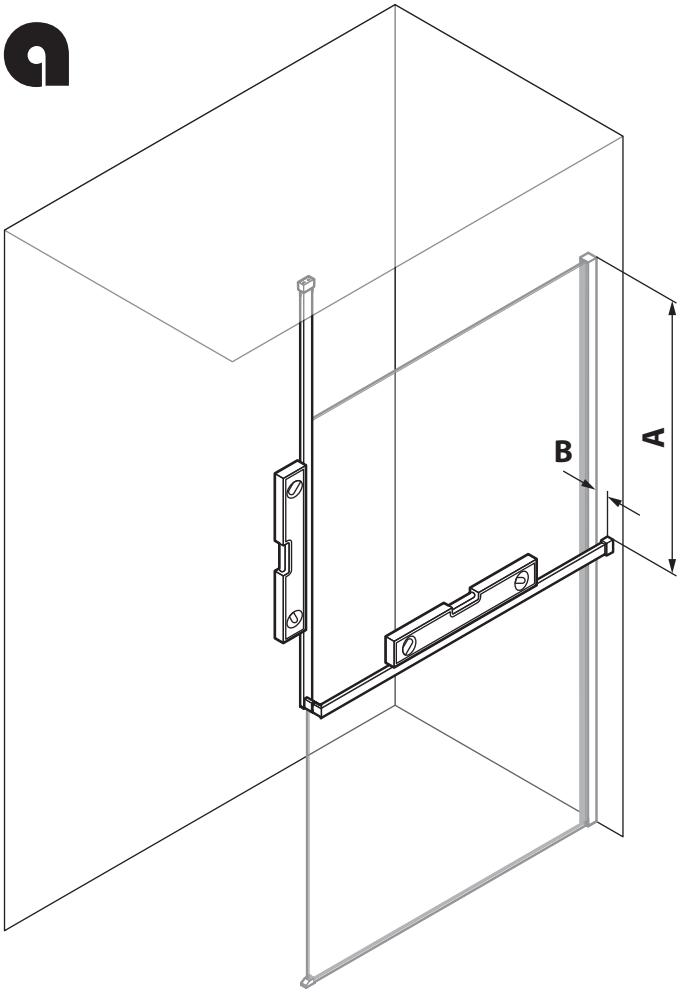


**NO**

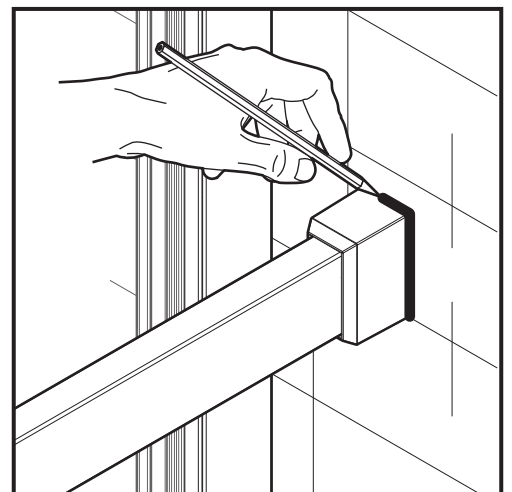
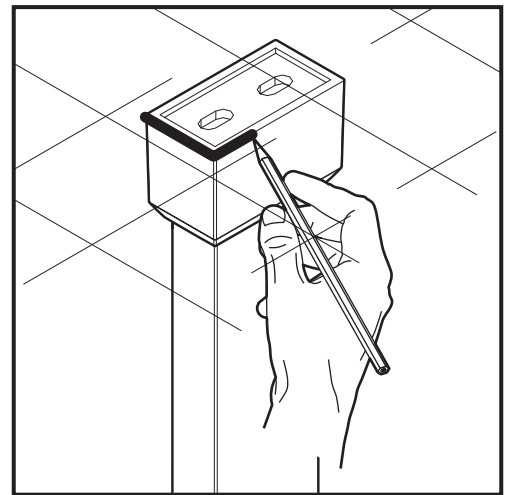
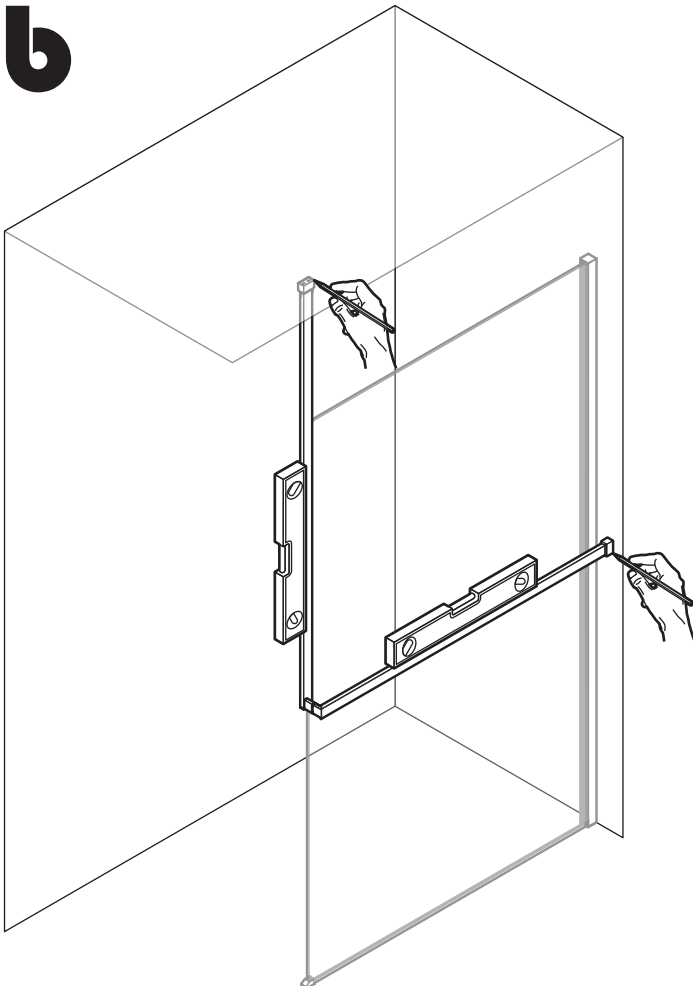


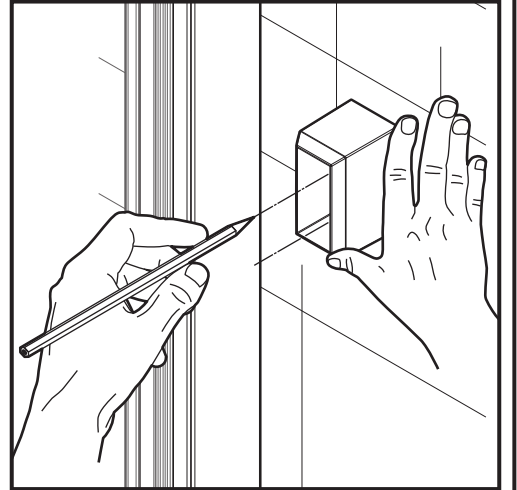
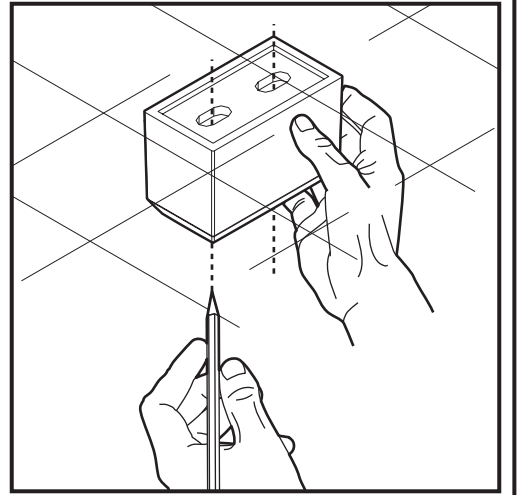
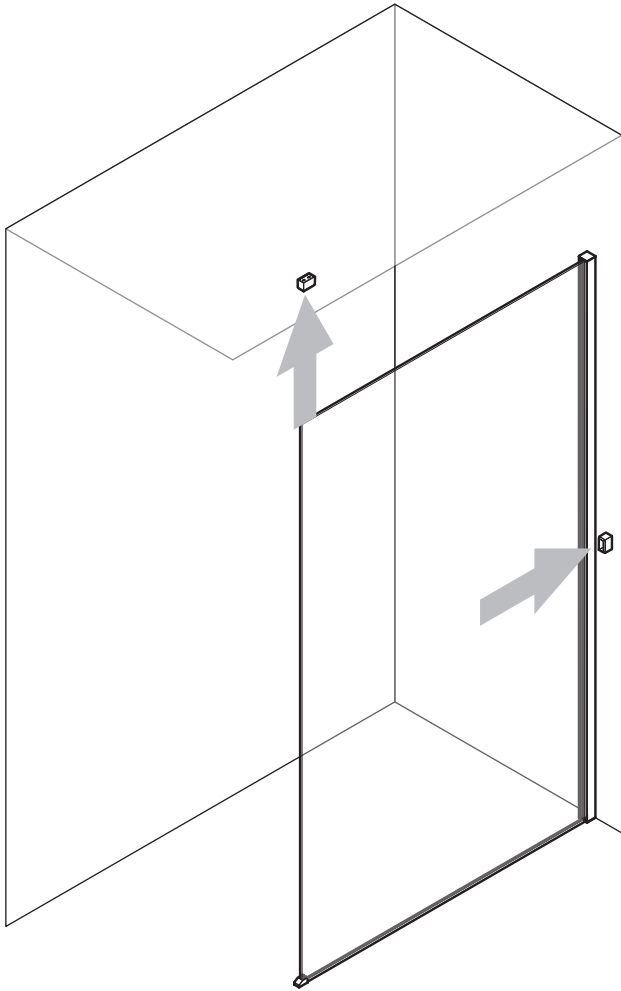
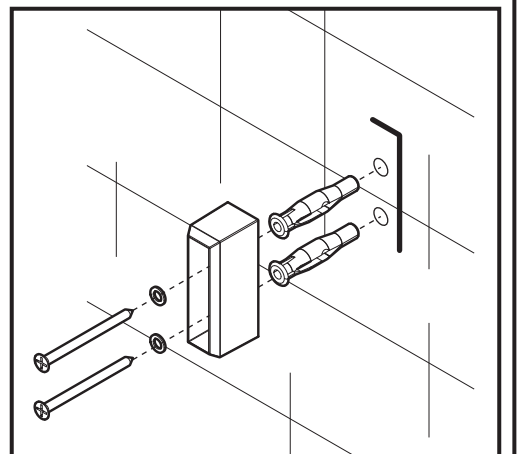
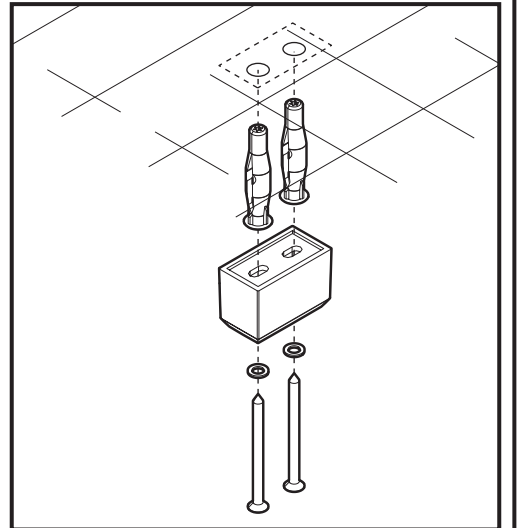
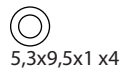
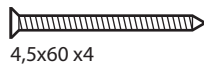
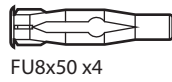
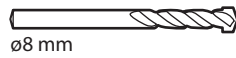
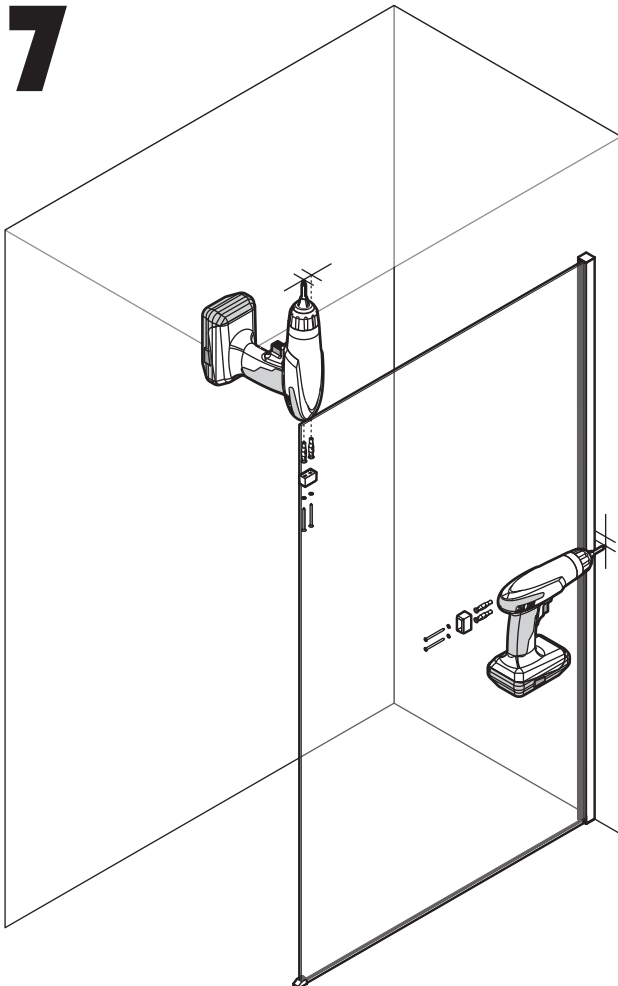


# 5a

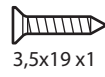
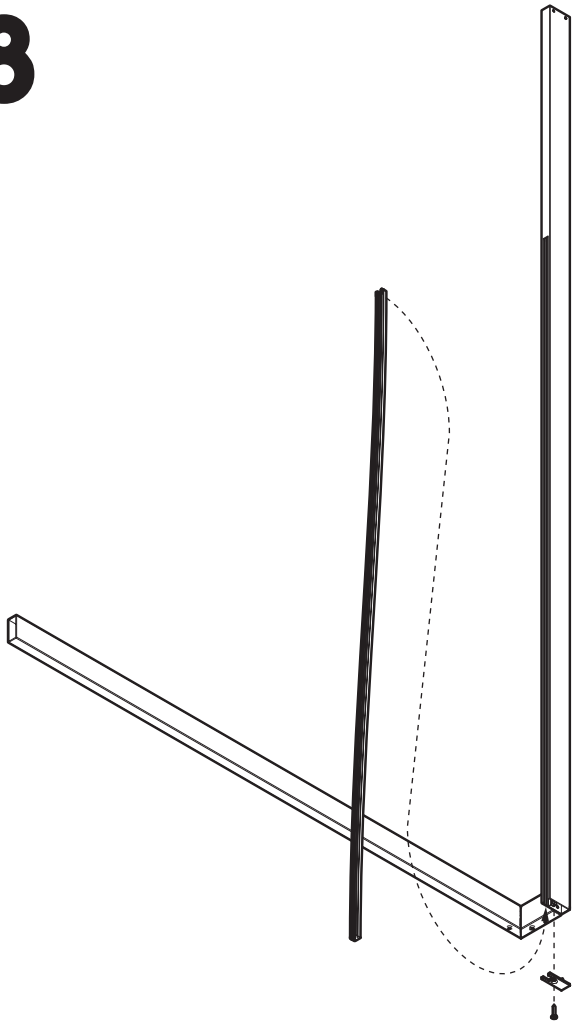


# 5b

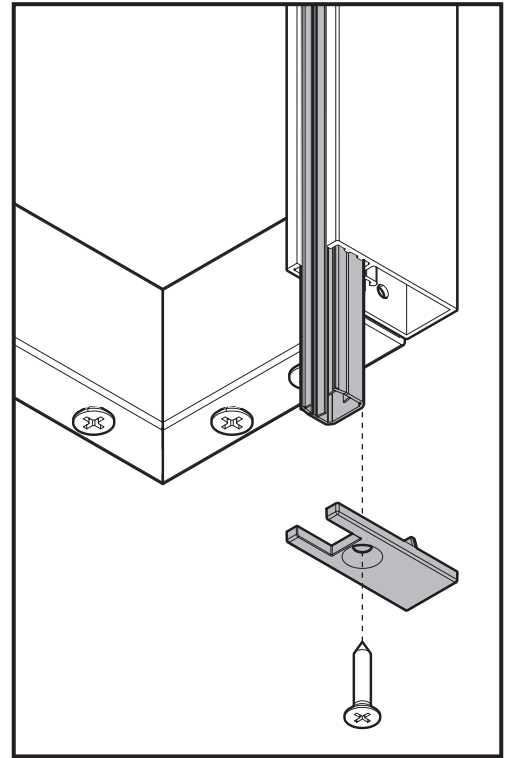


**6****7**

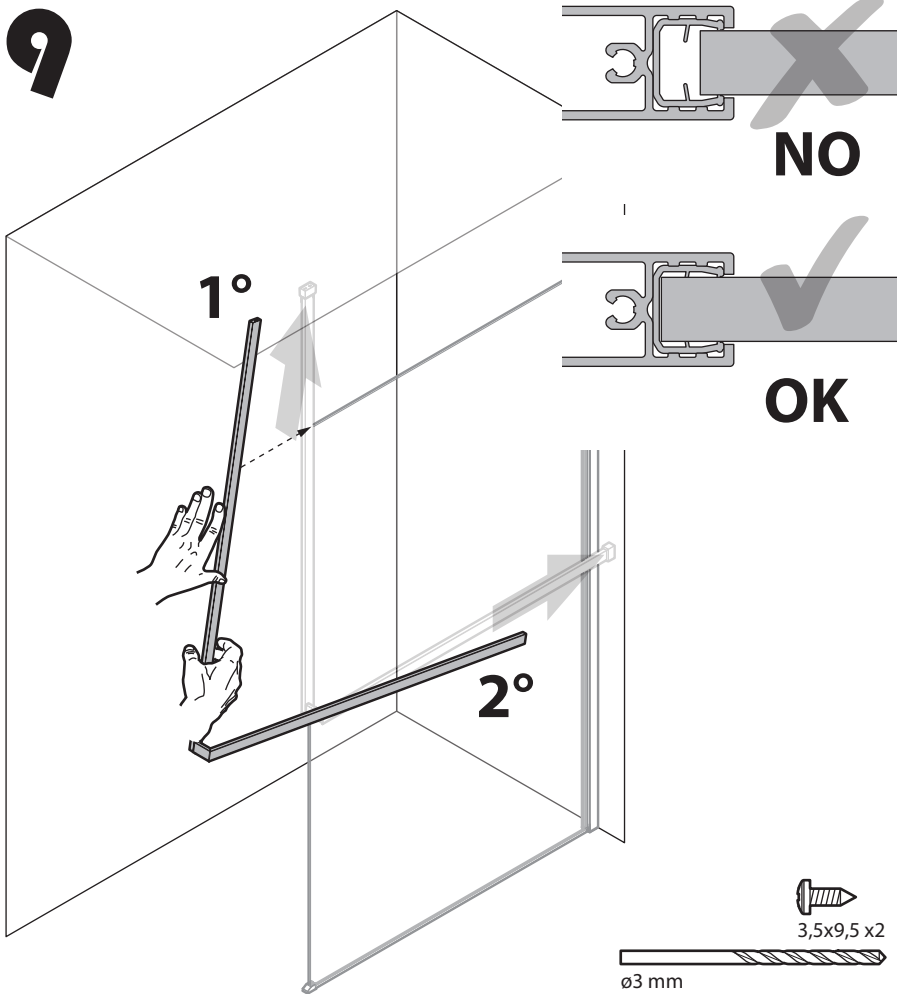
8



3,5x19 x1



9



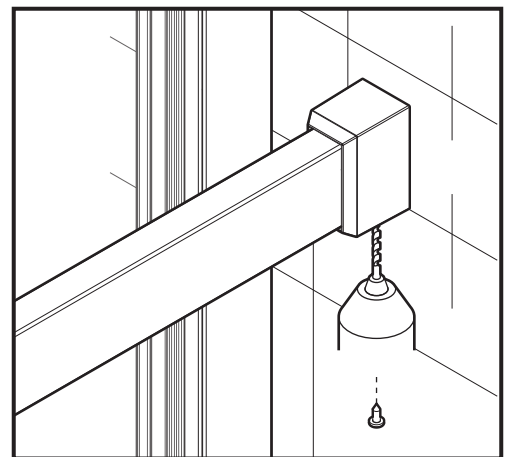
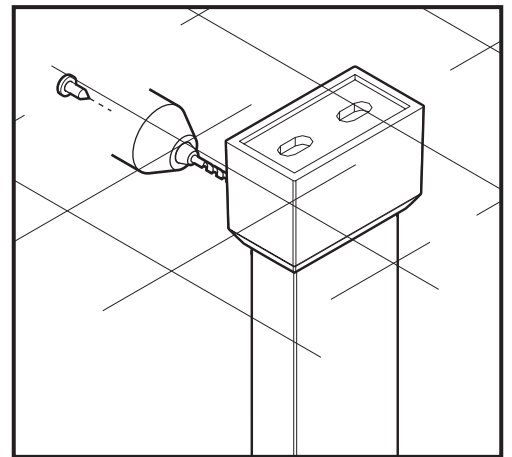
NO

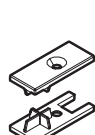
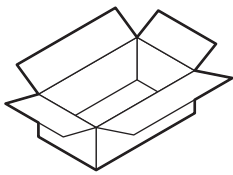
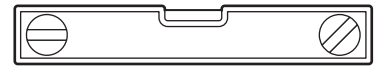
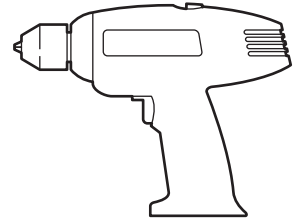
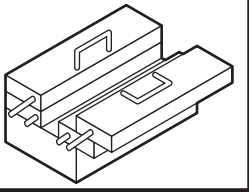
OK

3,5x9,5 x2

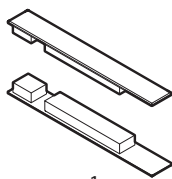
ø3 mm

15

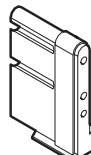




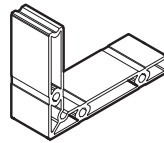
x1



x1



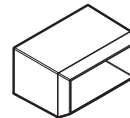
x1



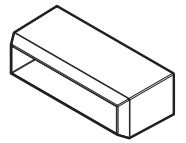
x1



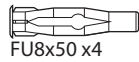
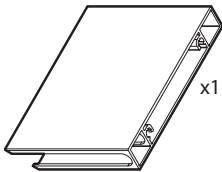
x1



x1



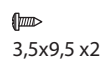
x1



FU8x50 x4



3,5x19 x6



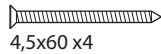
3,5x9,5 x2



M4x6 x1



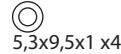
M5x25 x1



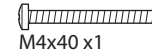
4,5x60 x4



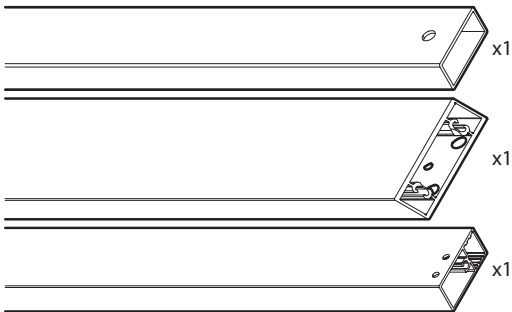
M4x8 x1



5,3x9,5x1 x4

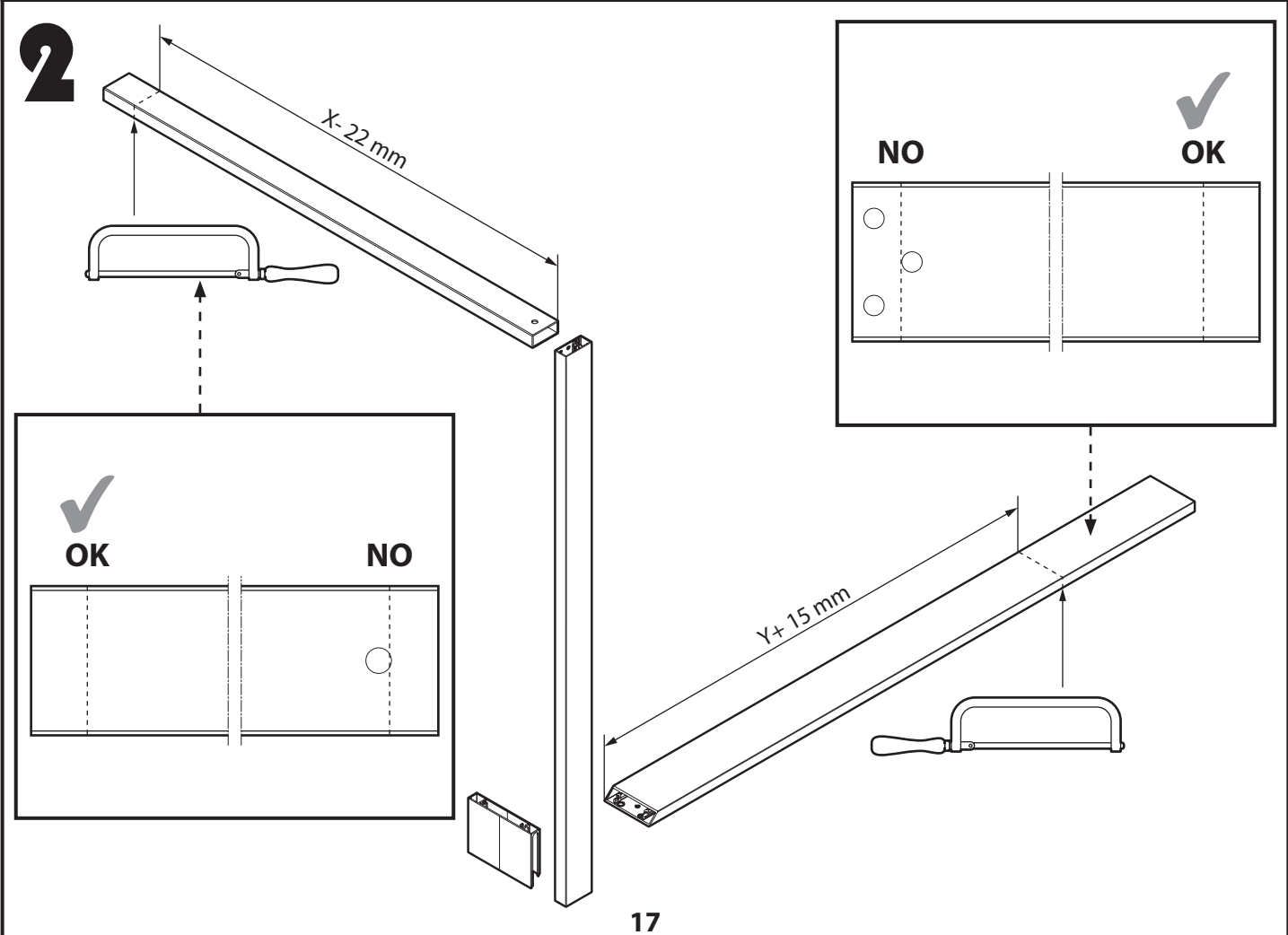
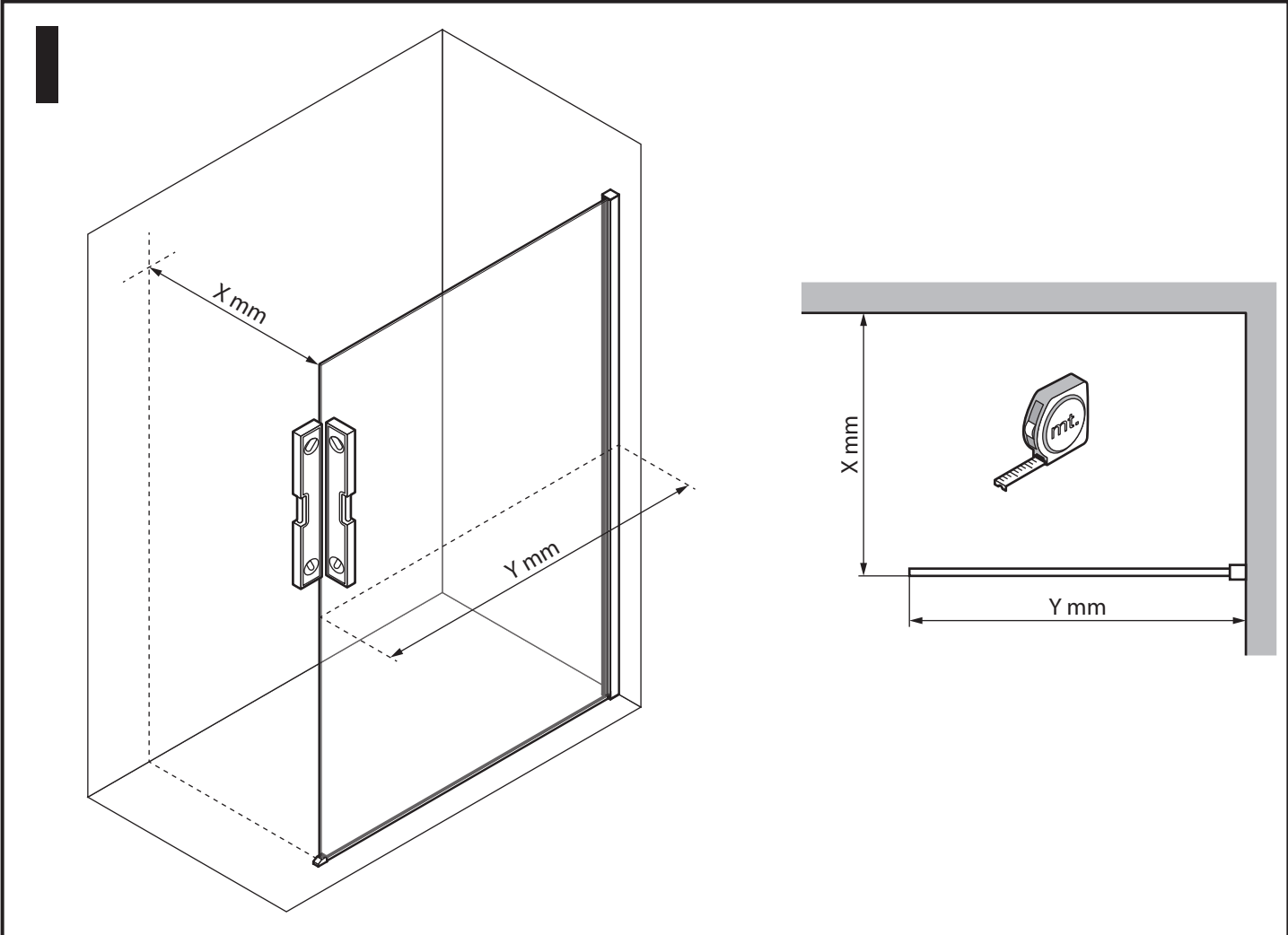


M4x40 x1

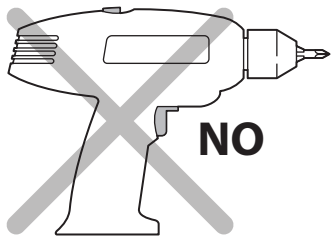


x1





# 3



**NO**



M4x40 x1



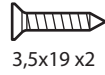
M5x25 x1



3,5x19 x2



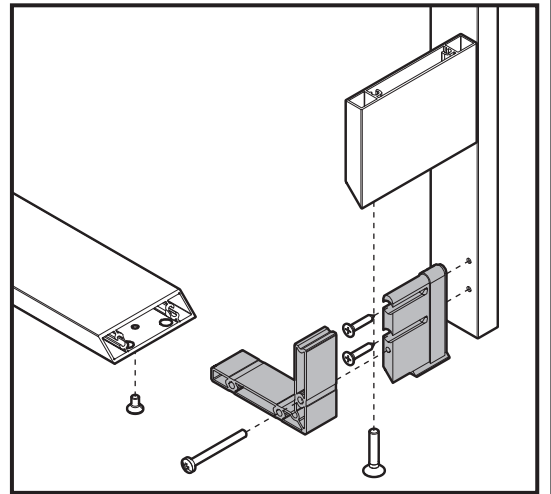
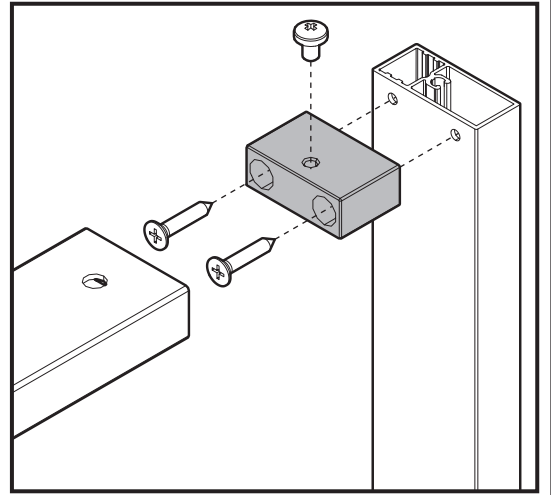
M4x8 x1



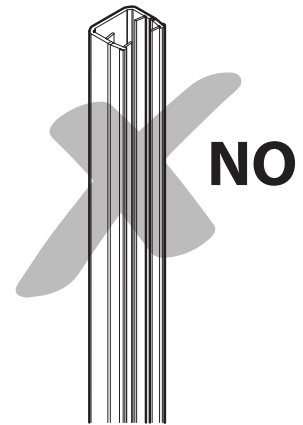
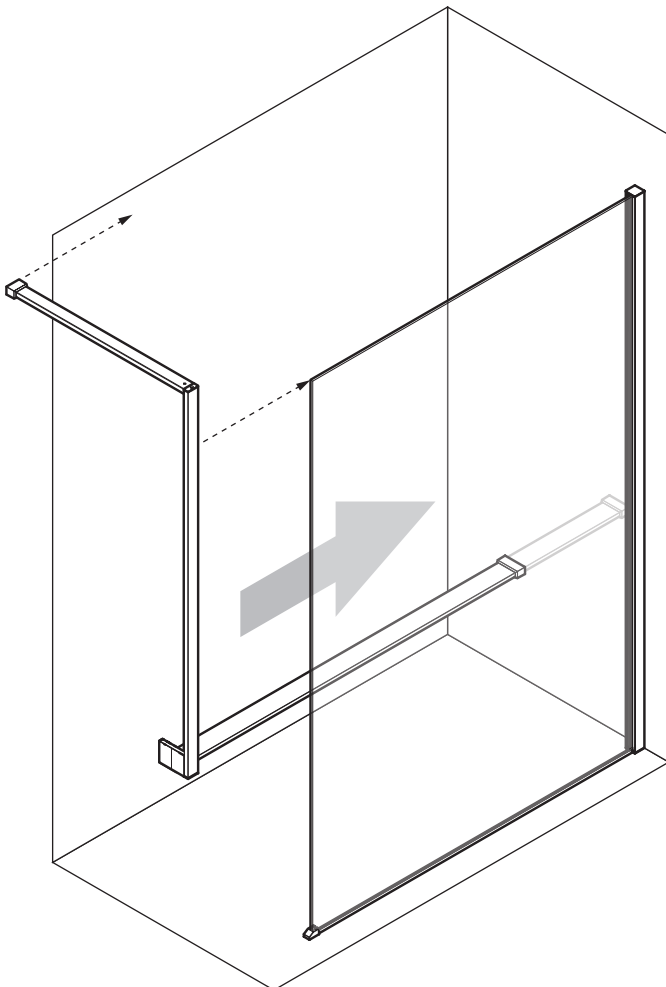
3,5x19 x2



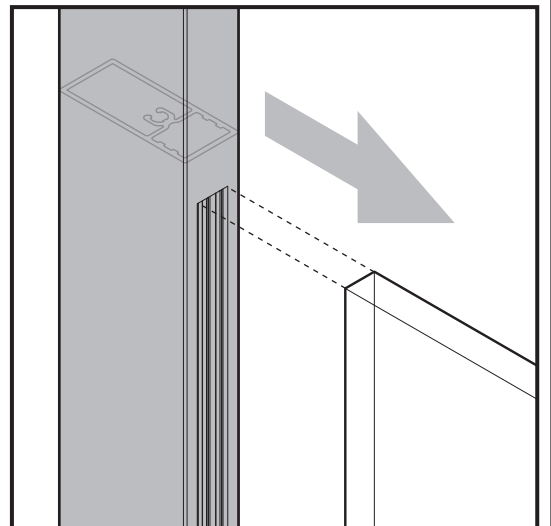
M4x6 x1



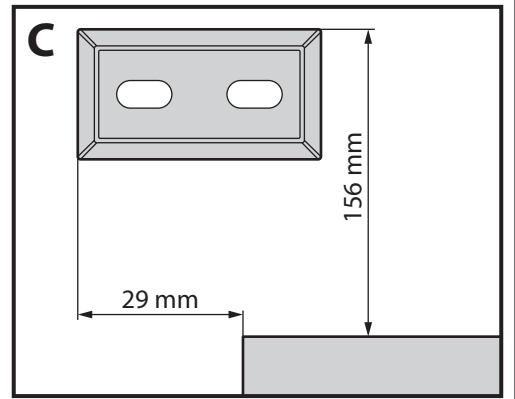
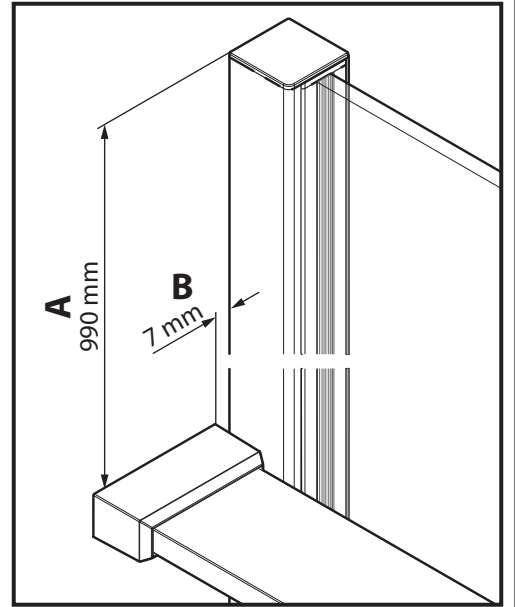
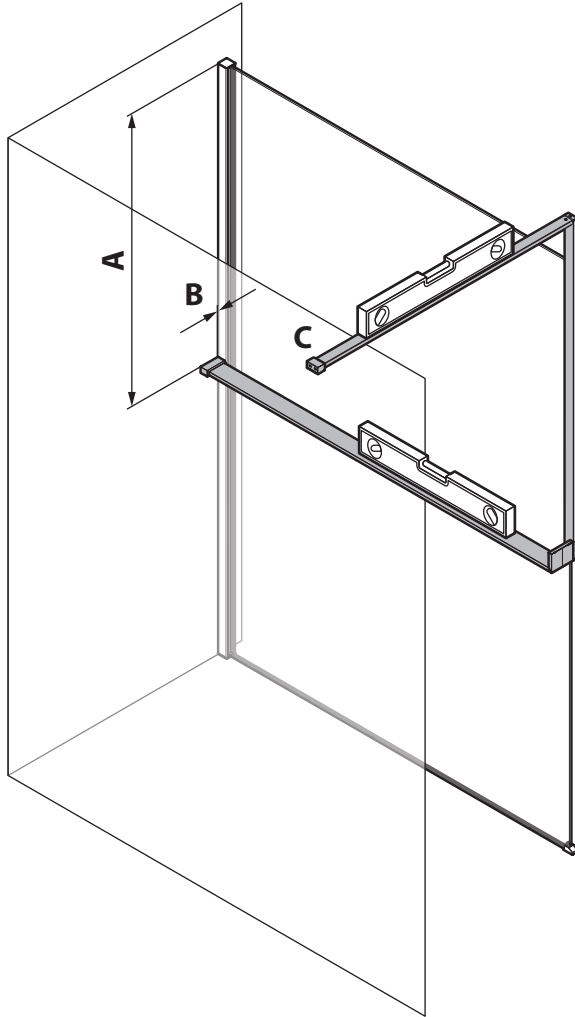
# 4



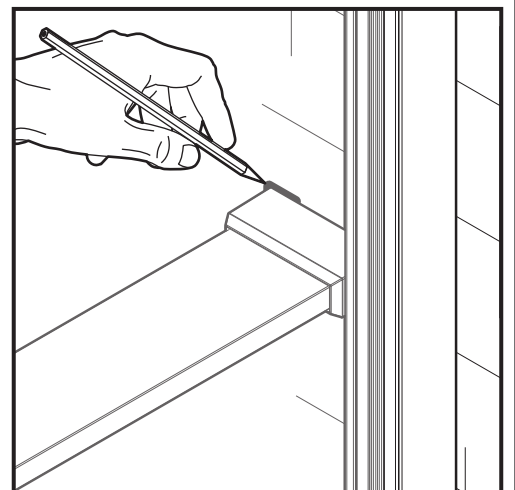
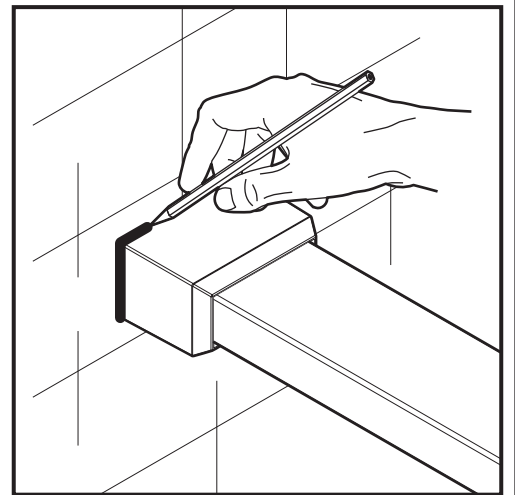
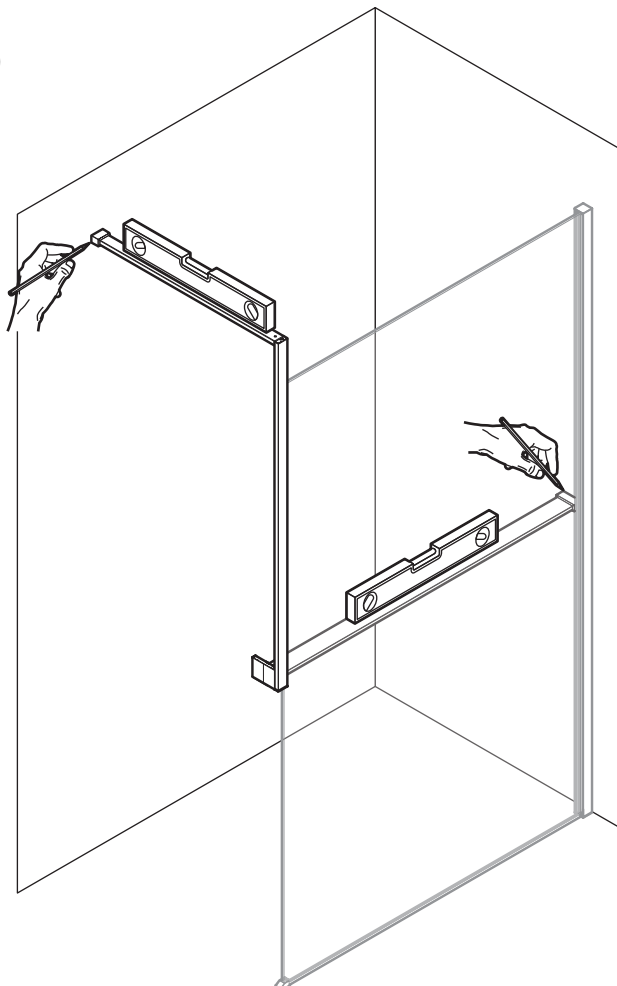
**NO**



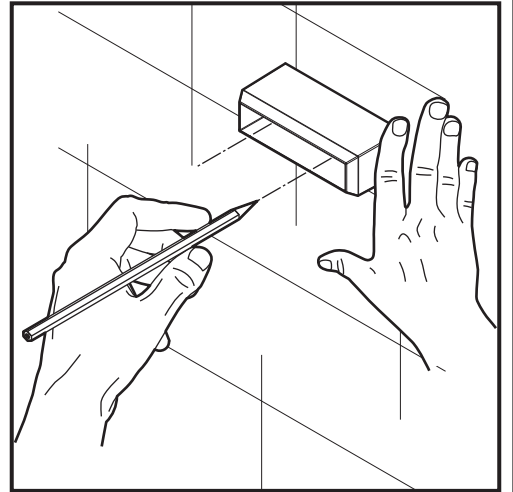
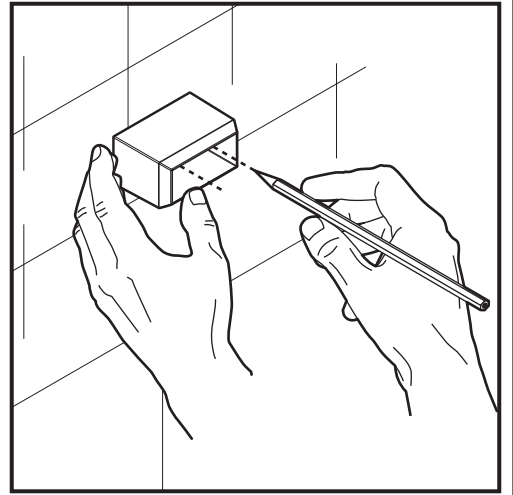
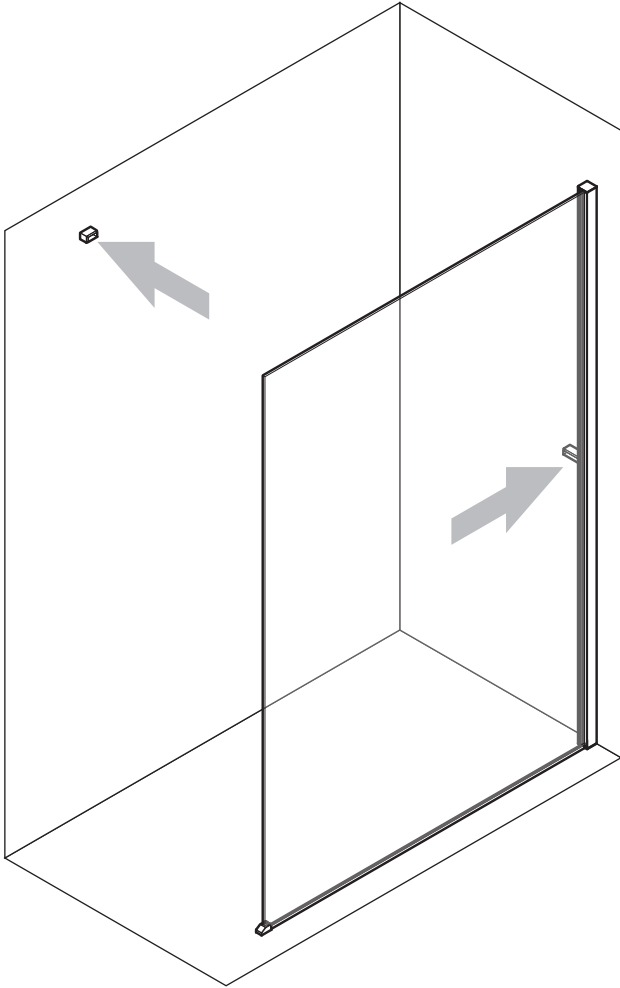
# 5a



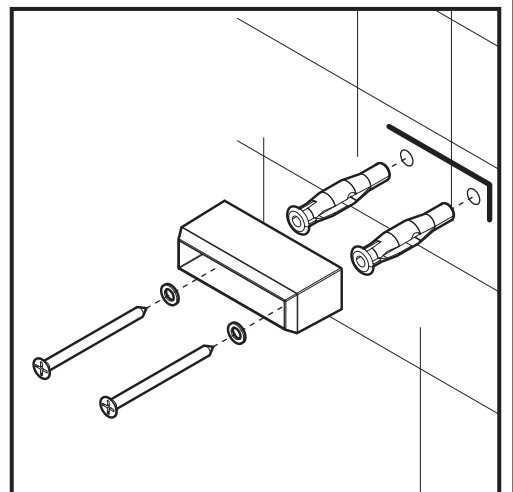
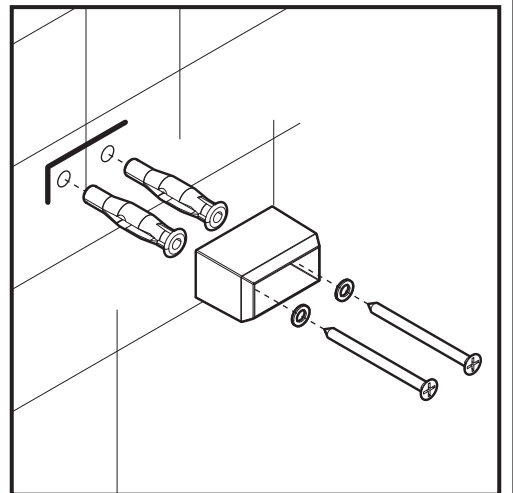
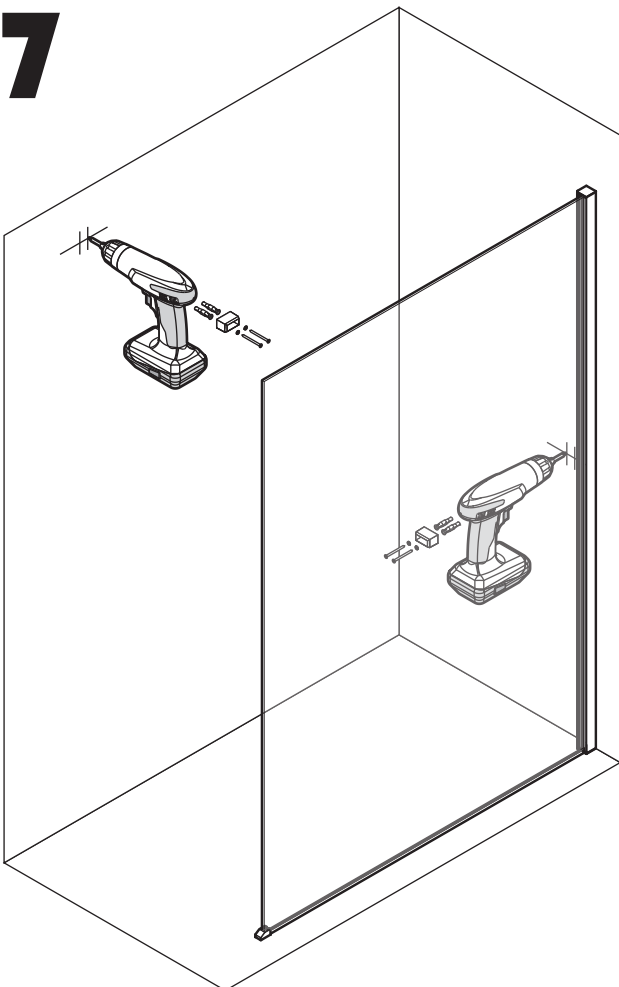
# 5b




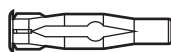
**6**




**7**



  
ø8 mm

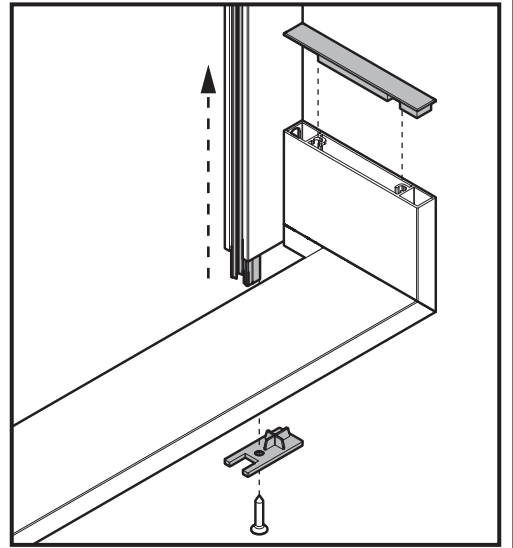
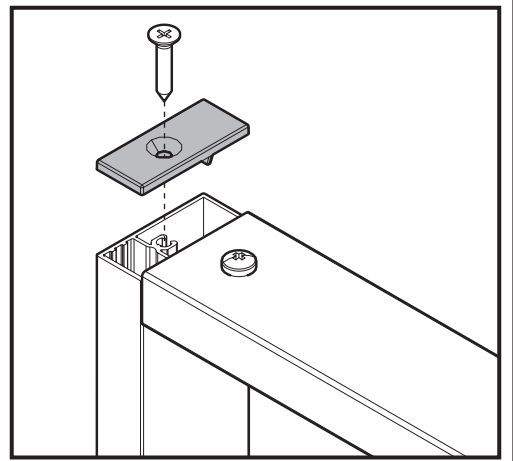
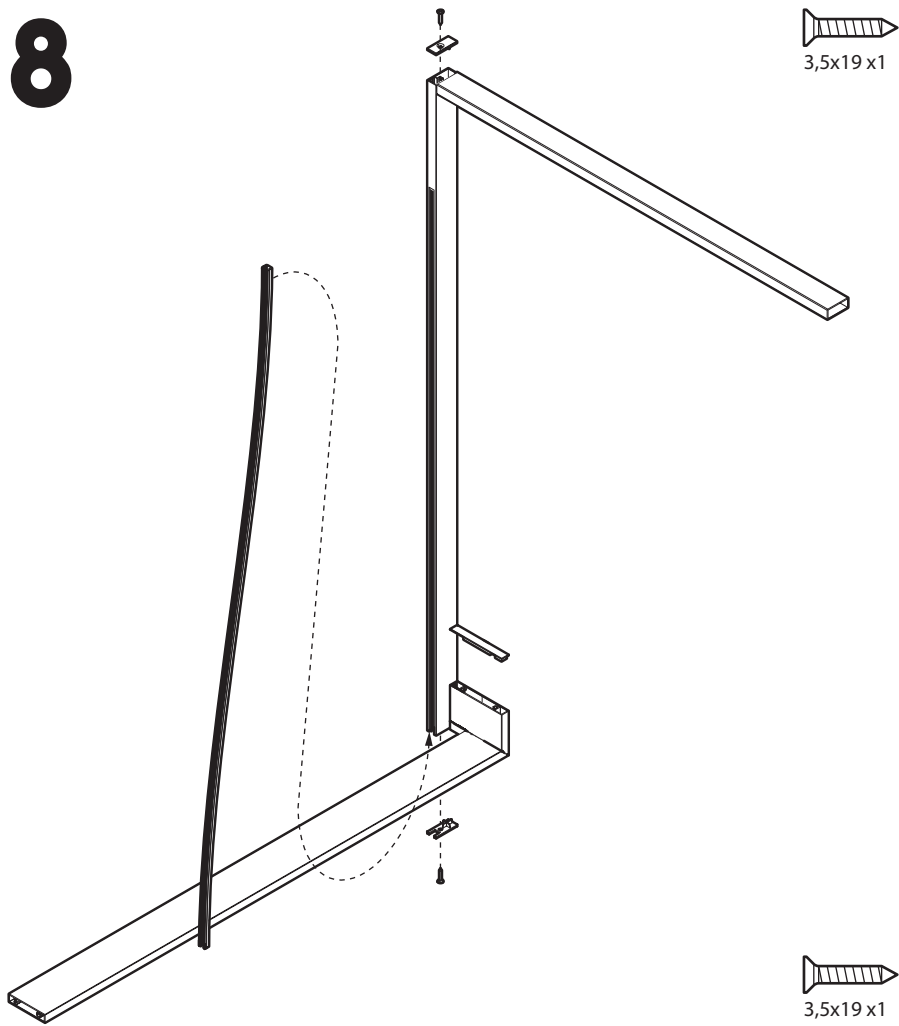
  
FU8x50 x4

  
4,5x60 x4

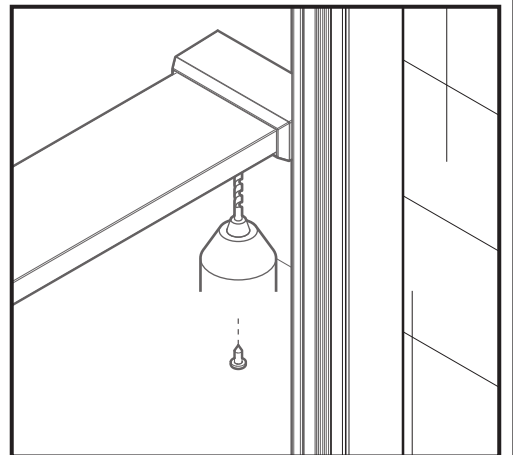
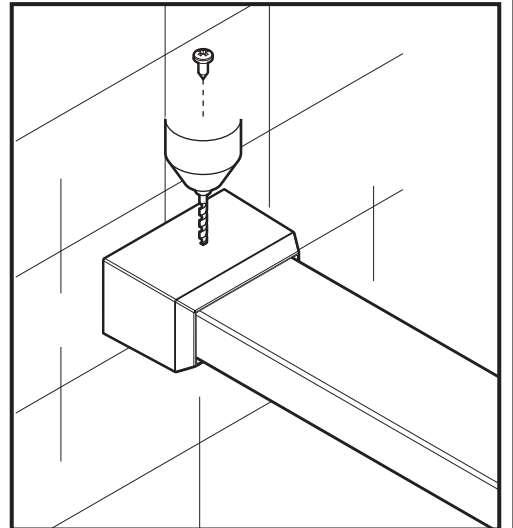
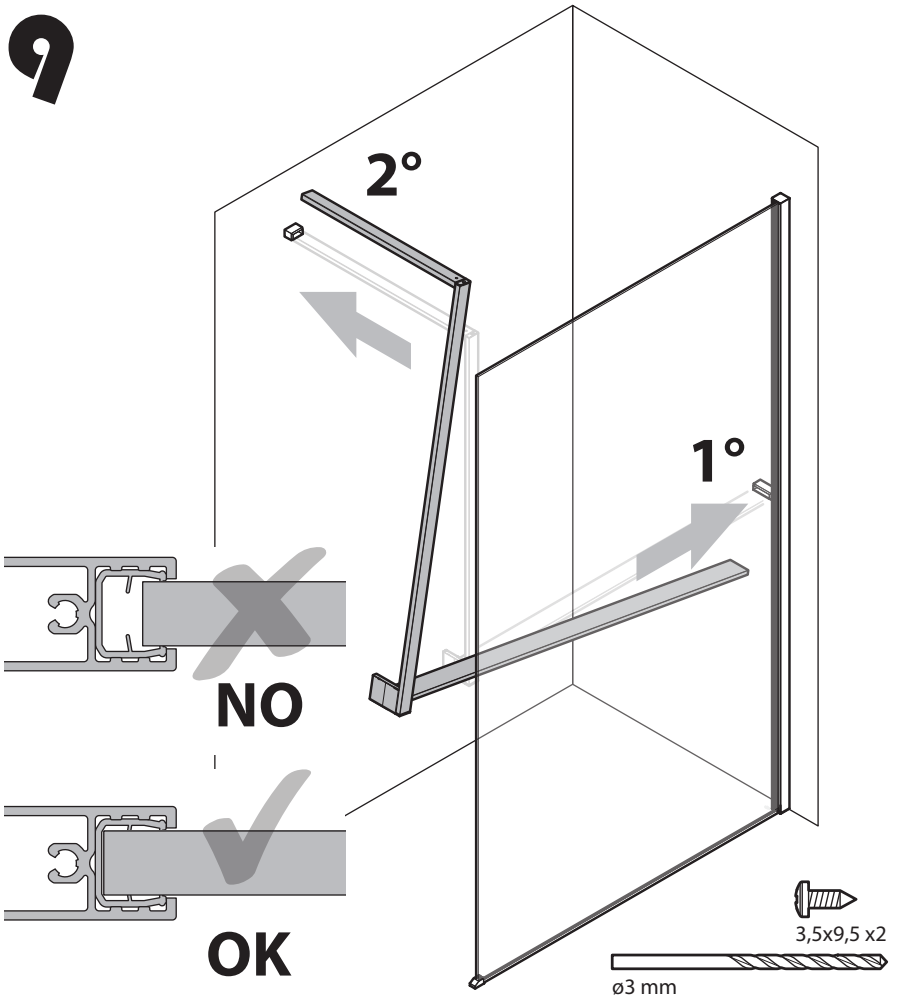
  
5,3x9,5x1 x4

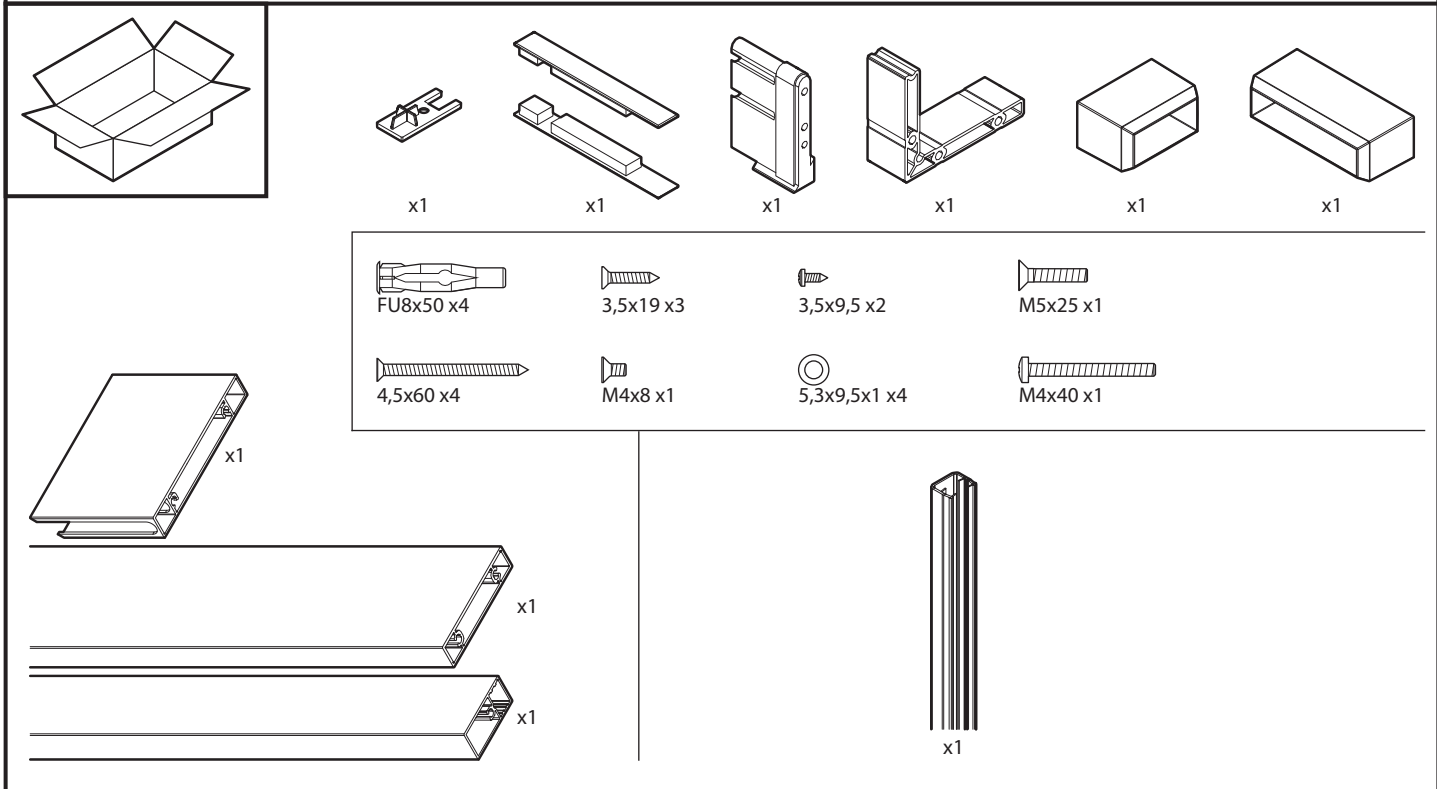
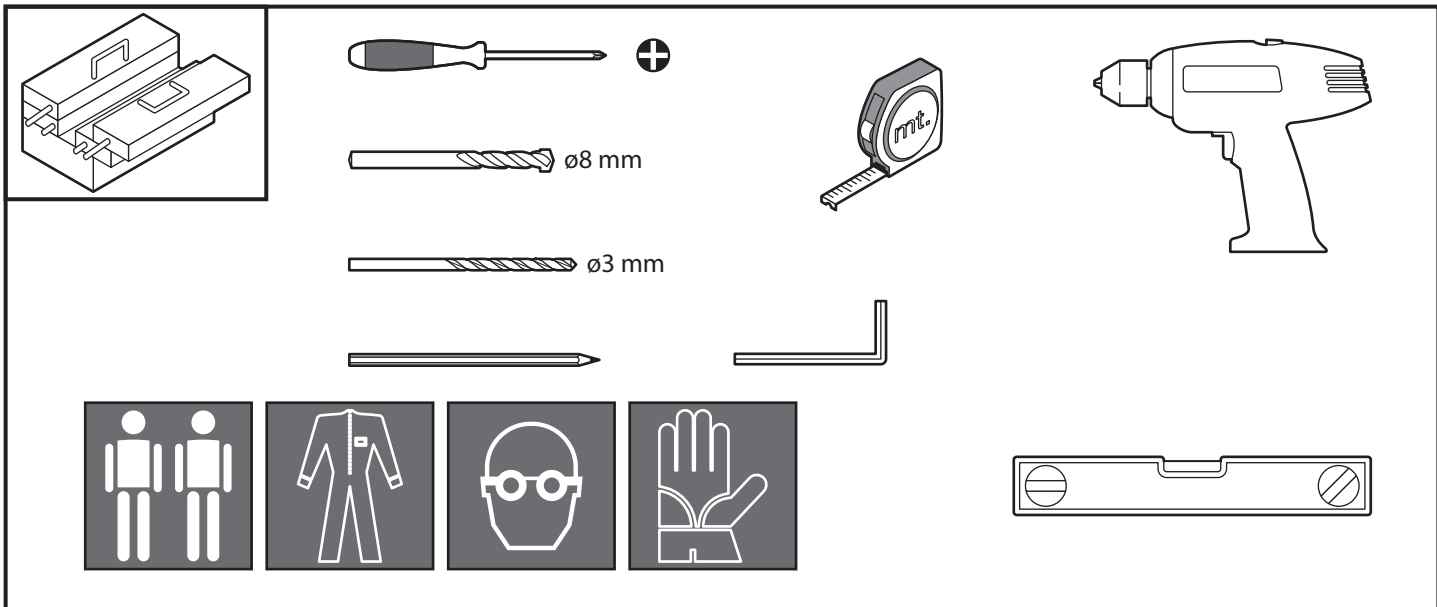


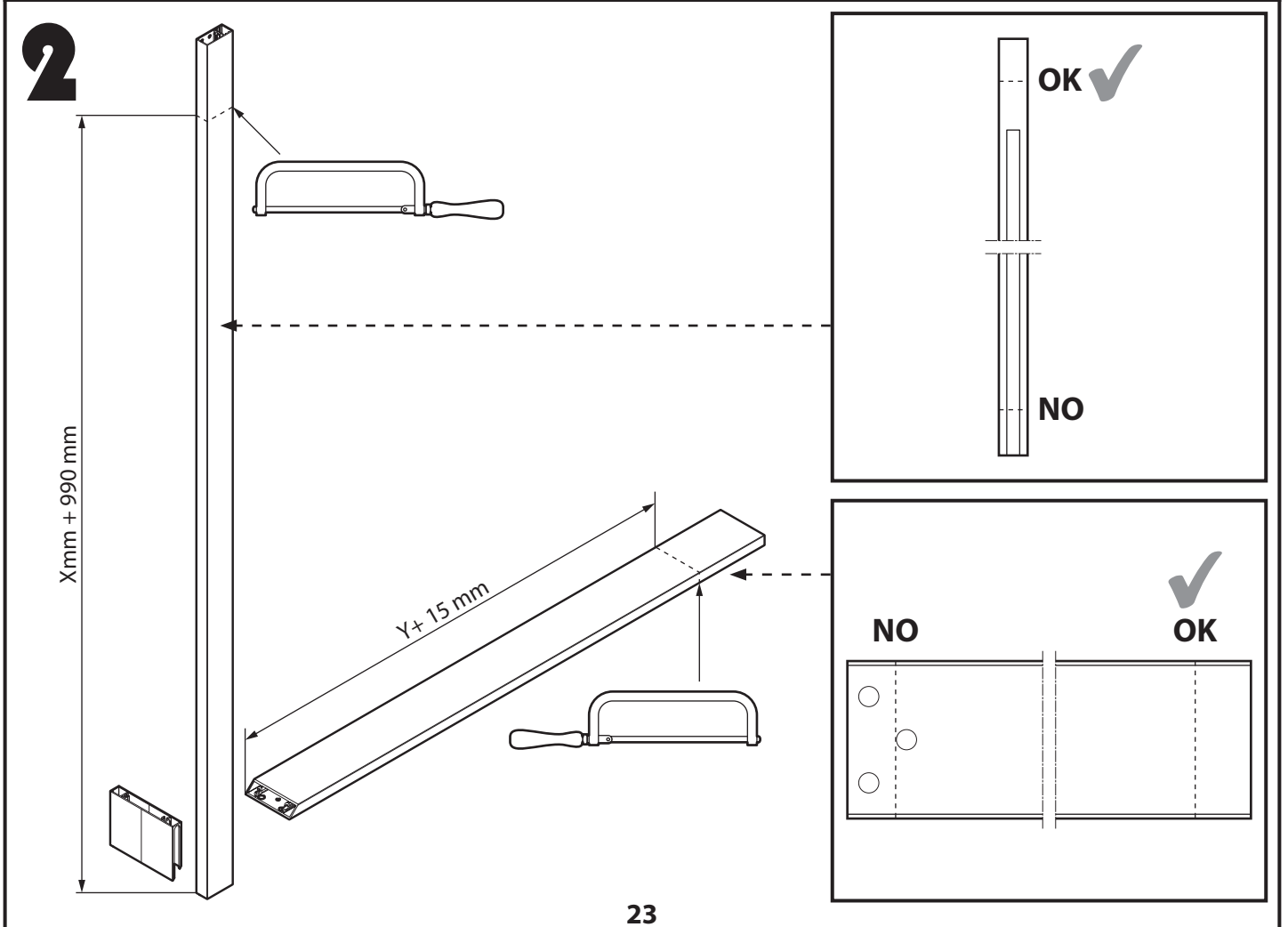
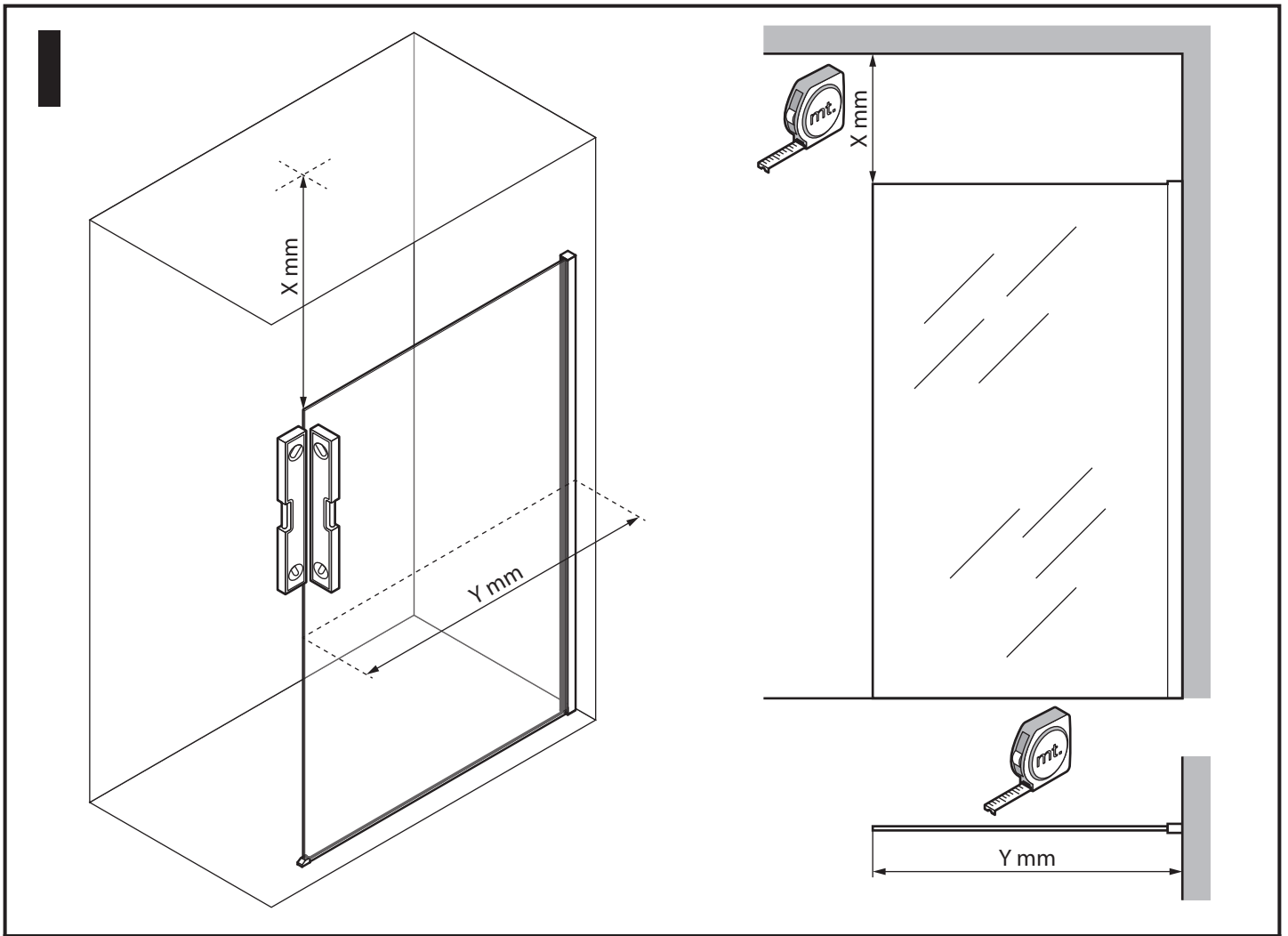
8



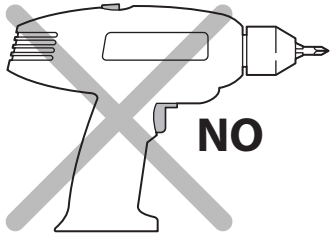
9



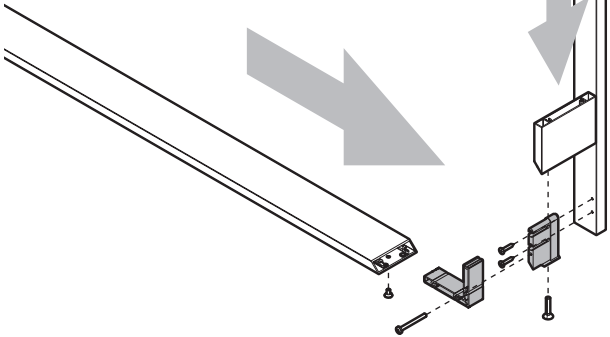
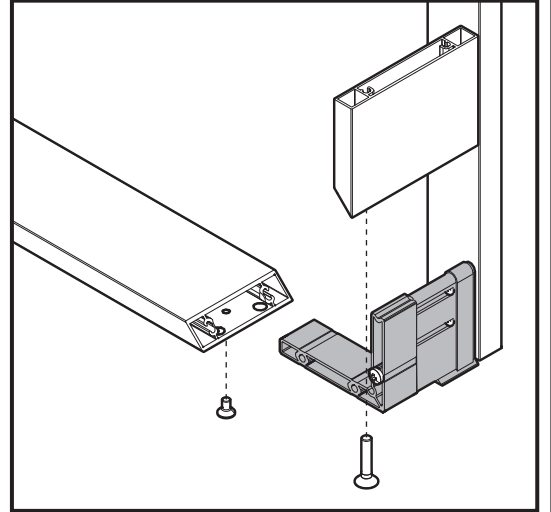
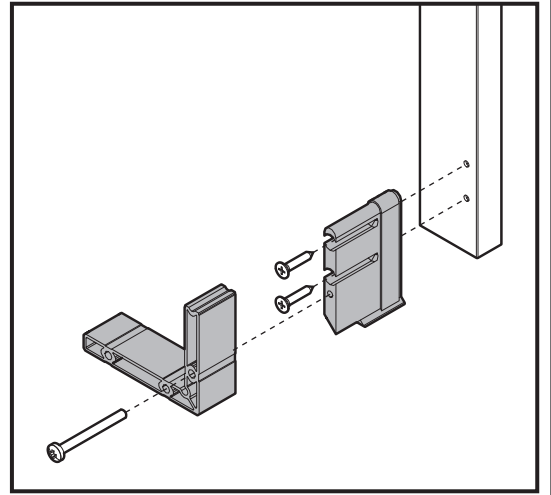
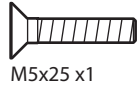
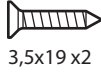
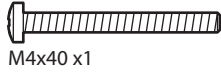




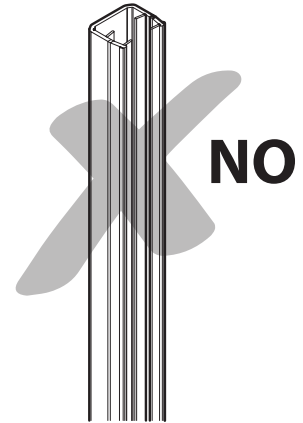
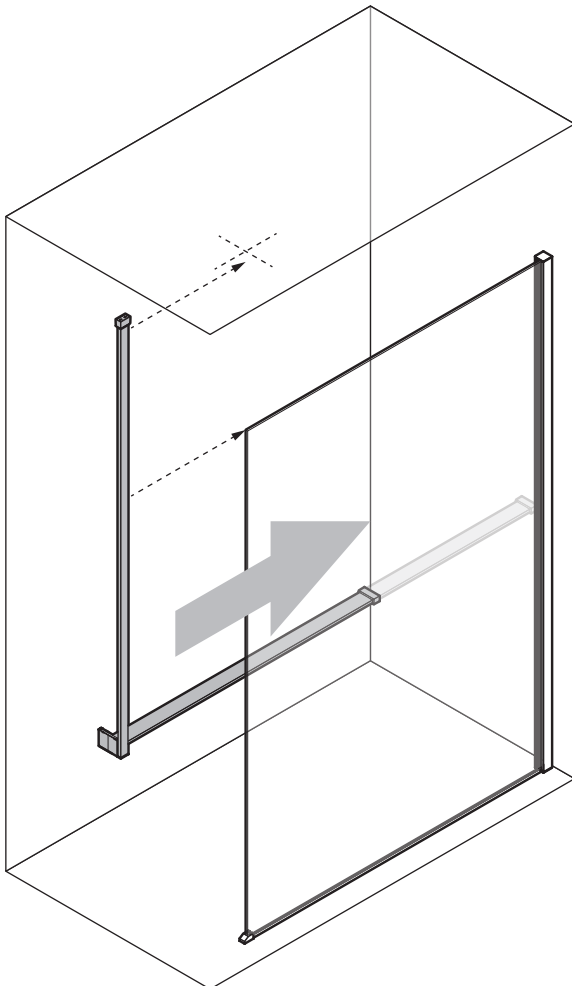
**3**



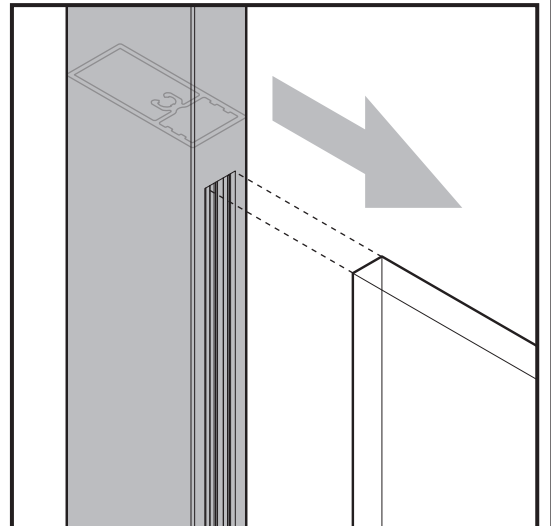
**NO**



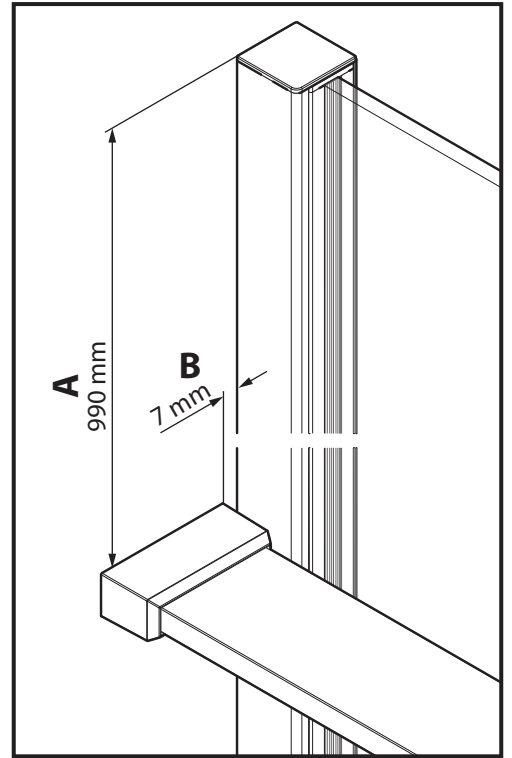
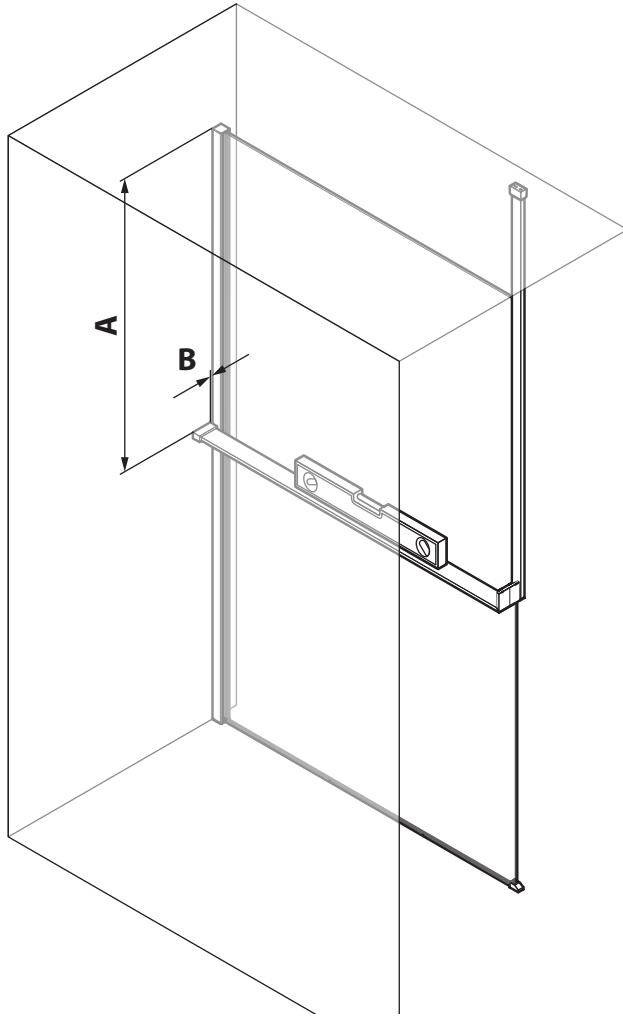
**4**



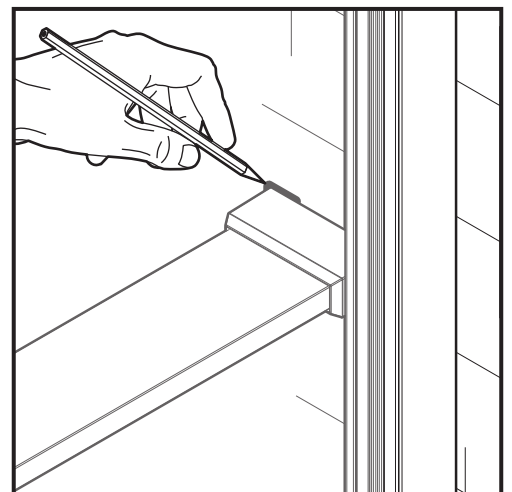
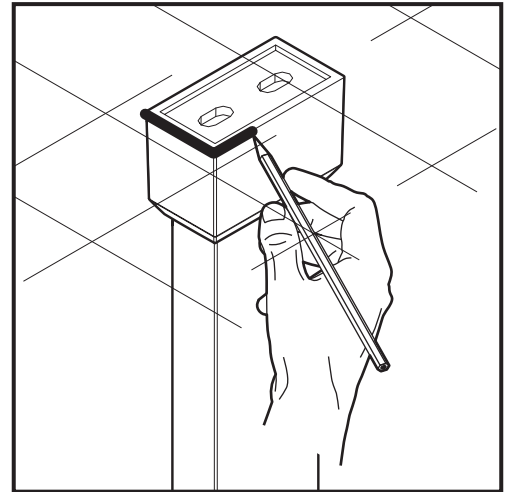
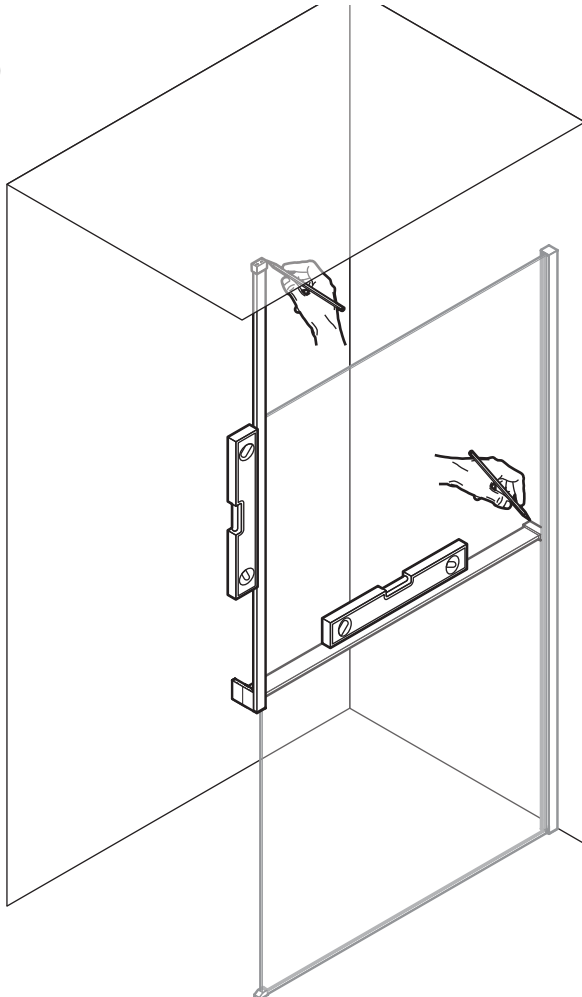
**NO**

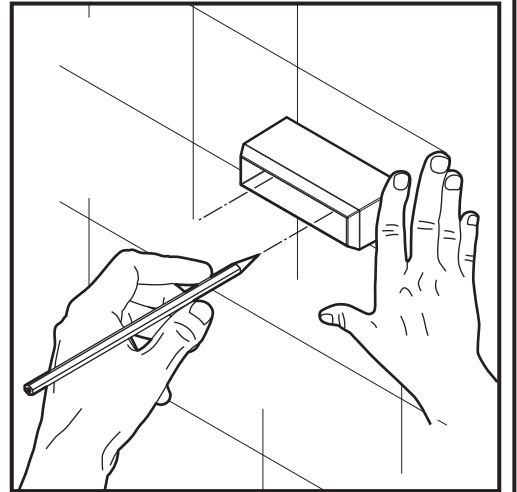
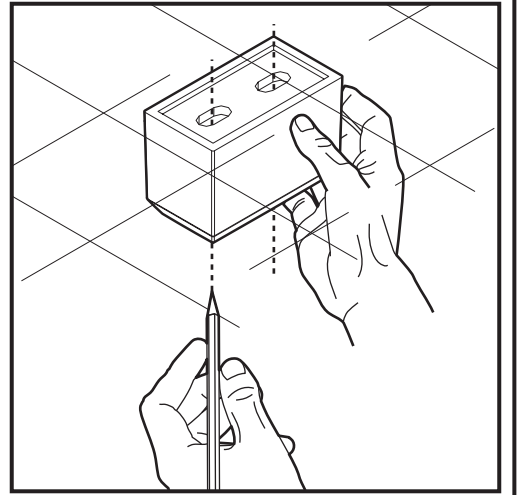
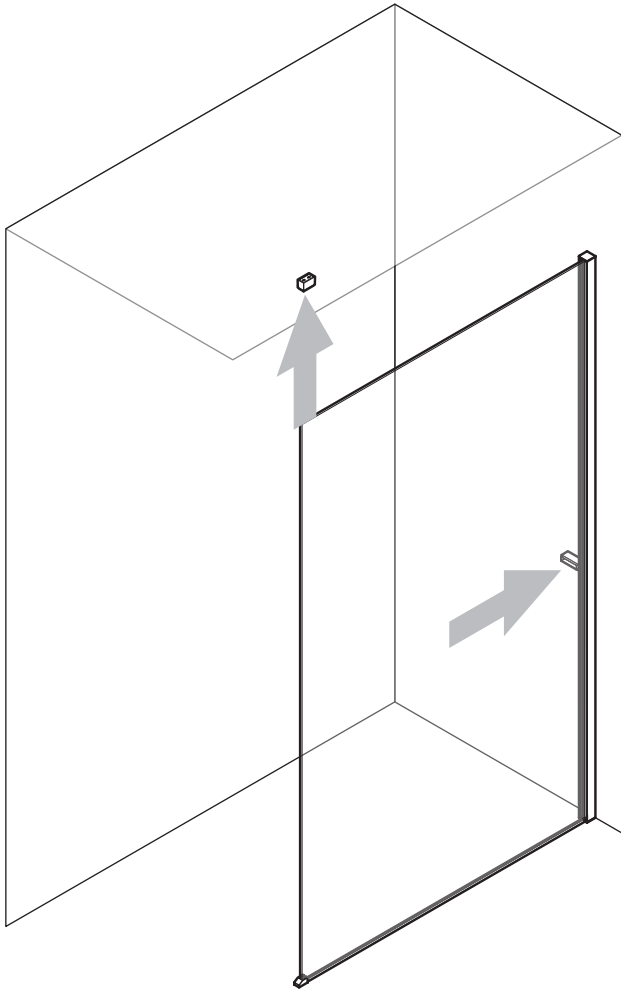
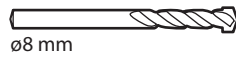
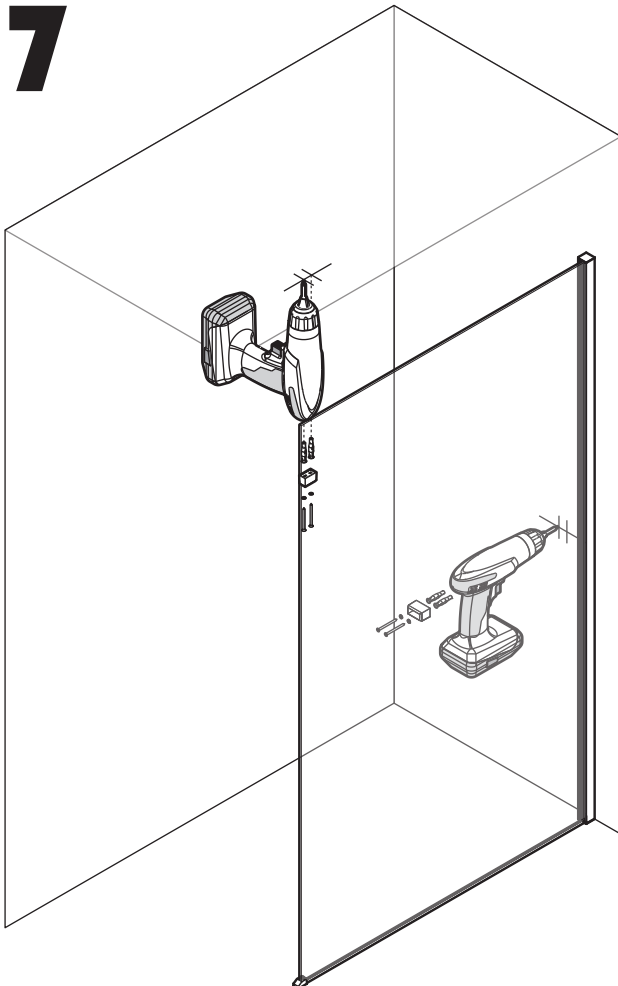


# 5a



# 5b



**6****7**

ø8 mm



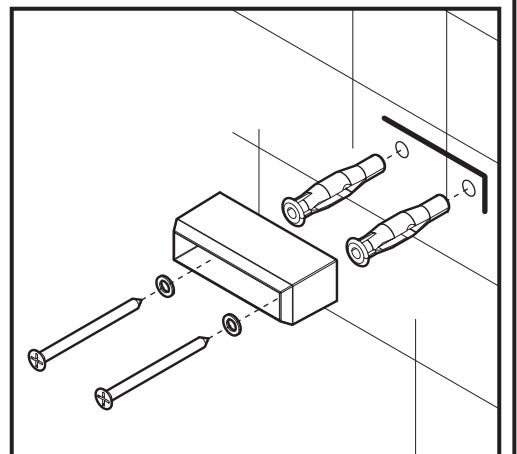
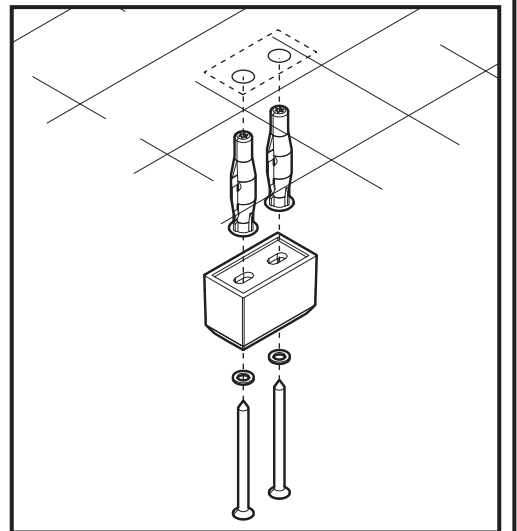
FU8x50 x4



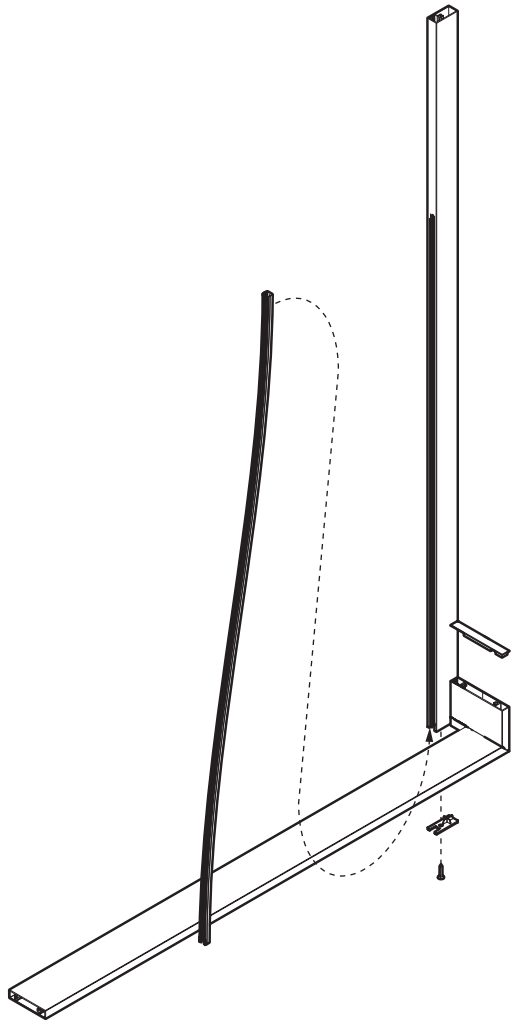
4,5x60 x4




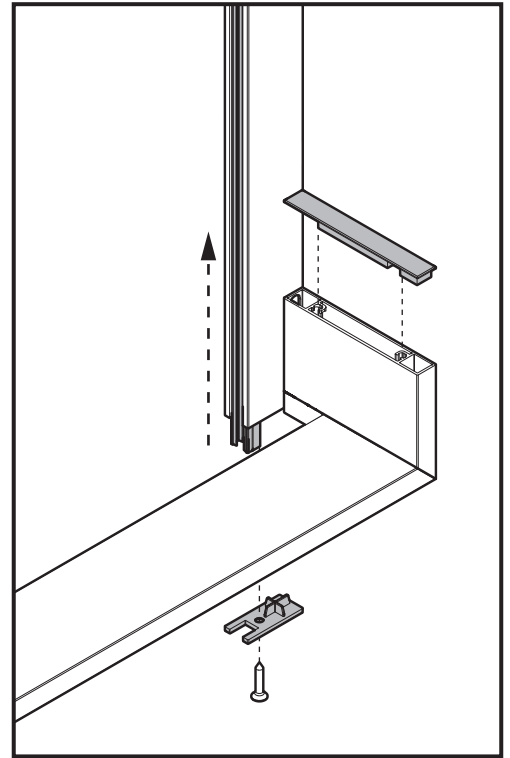
5,3x9,5x1 x4



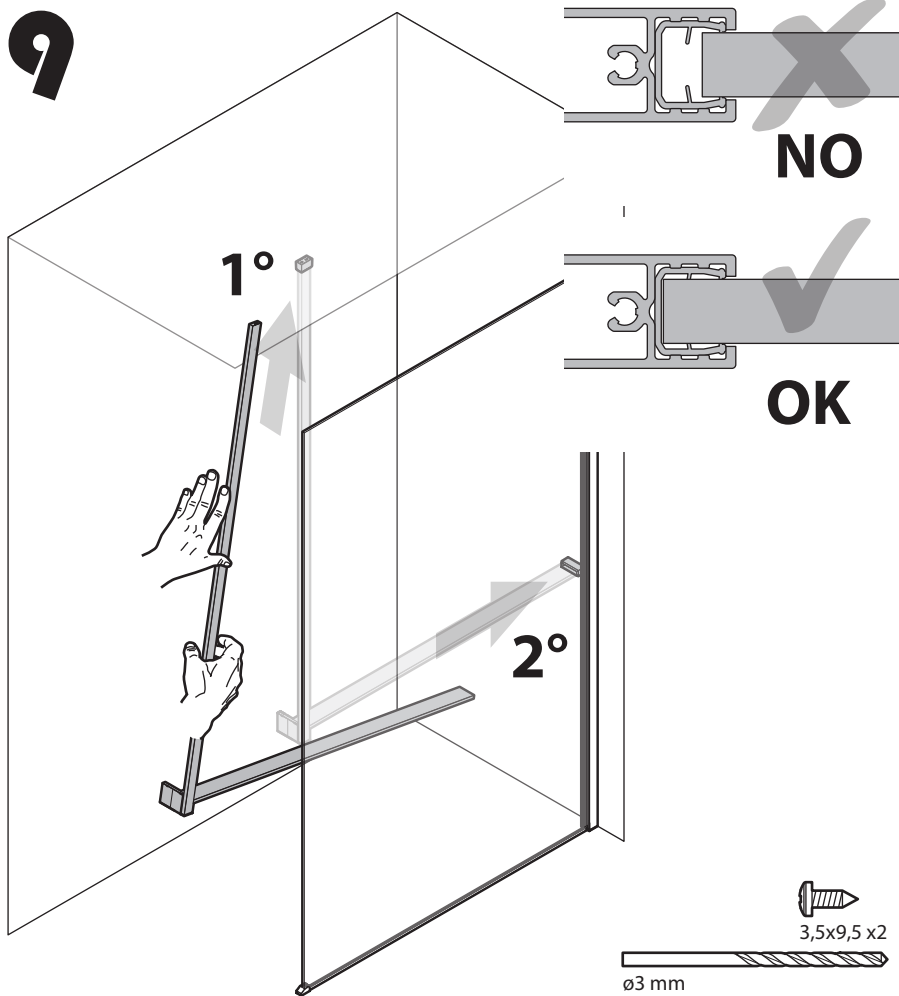
8



  
3,5x19 x1




9



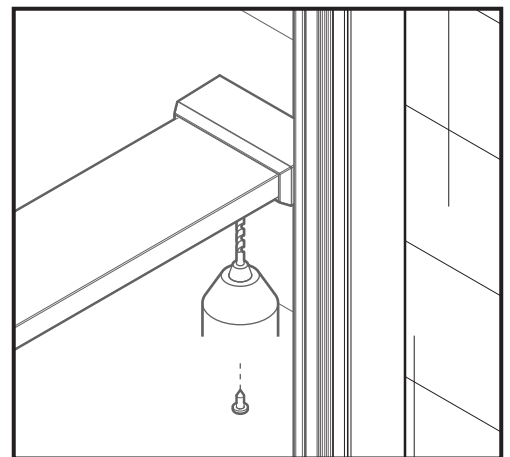
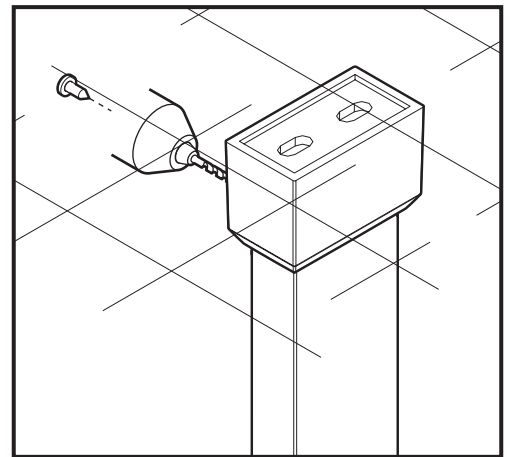
**NO**

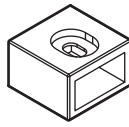
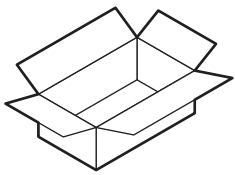
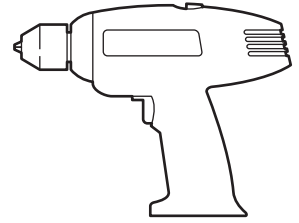
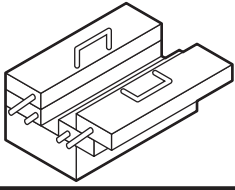
**OK**

  
3,5x9,5 x2

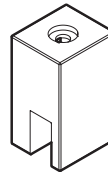
ø3 mm

27

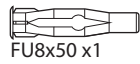




x1



x1



FU8x50 x1



3,5x9,5 x1



4,5x60 x1



4,8x13 x1



x1





