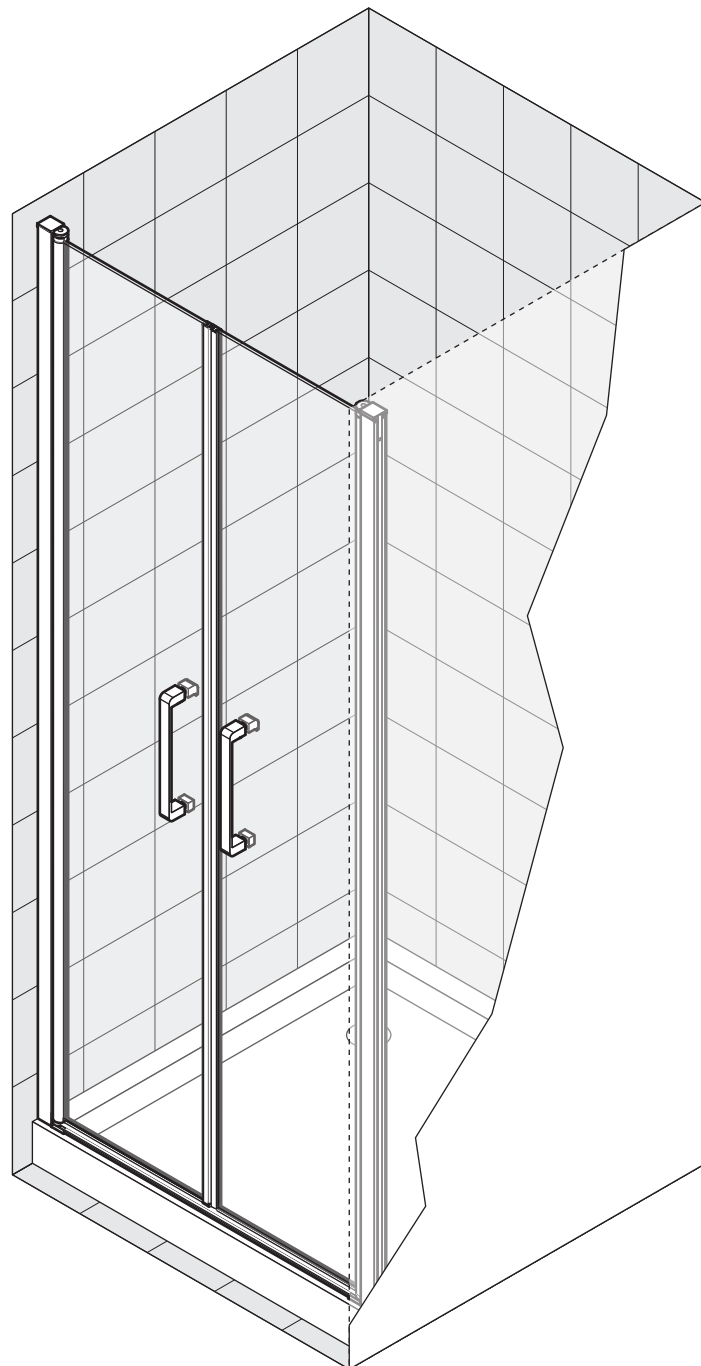
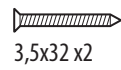
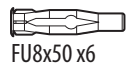
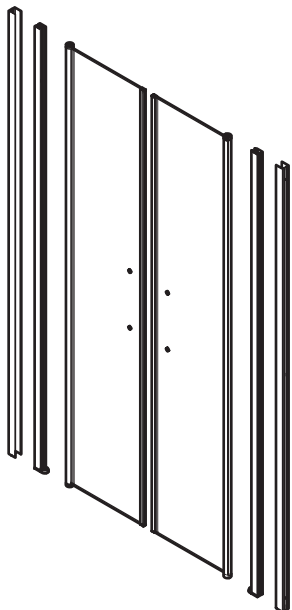
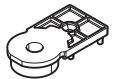
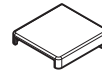
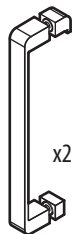
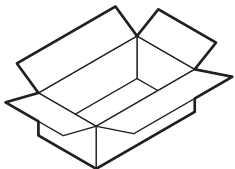
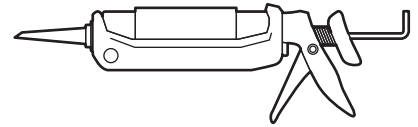
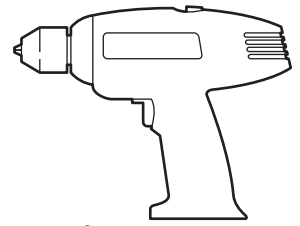
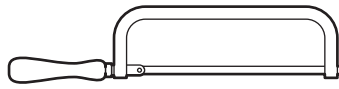
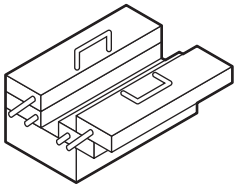


2B

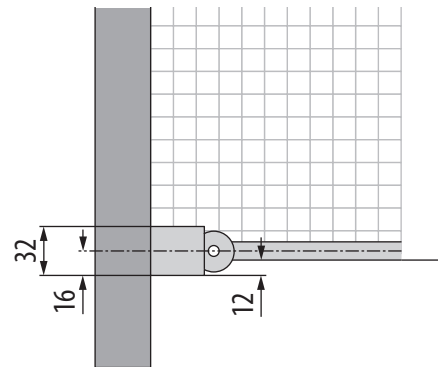
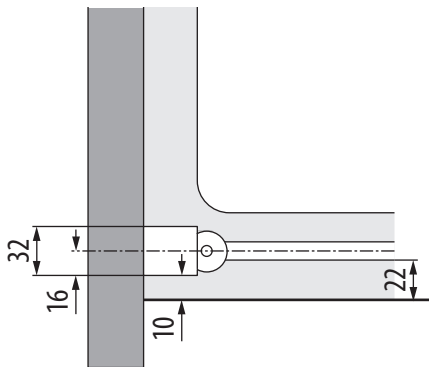
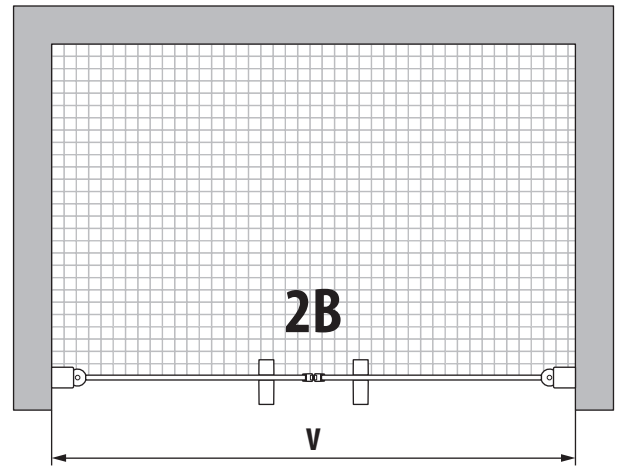
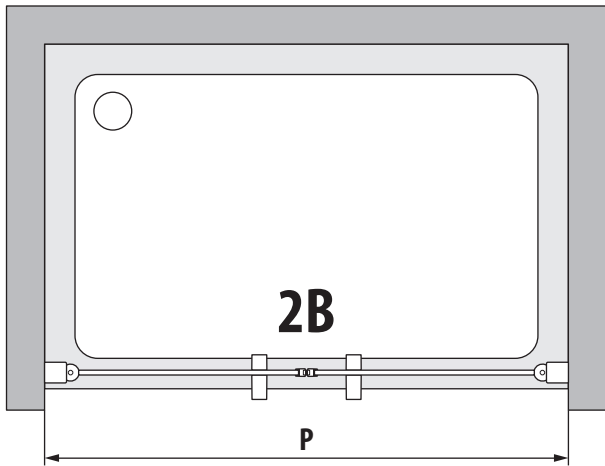


<hr/> <hr/> <hr/> <hr/>	<hr/> <hr/> <hr/> <hr/>
-------------------------	-------------------------



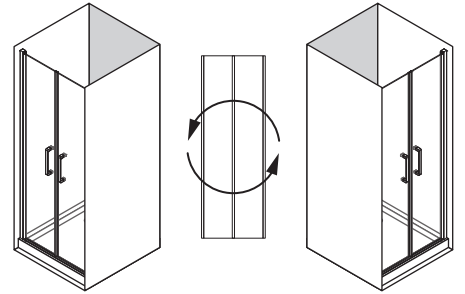
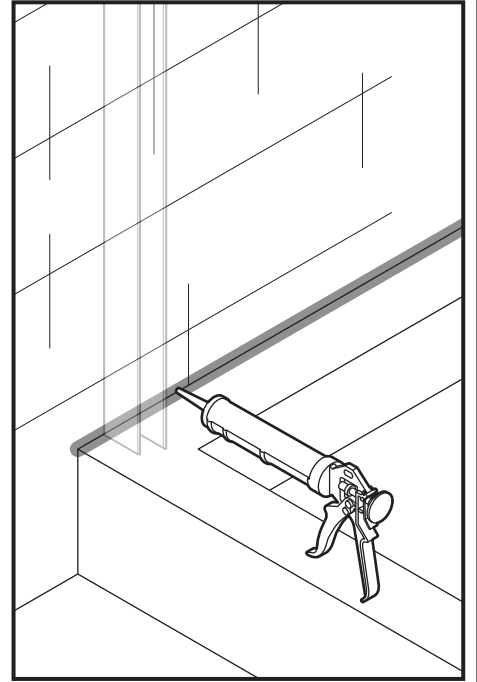
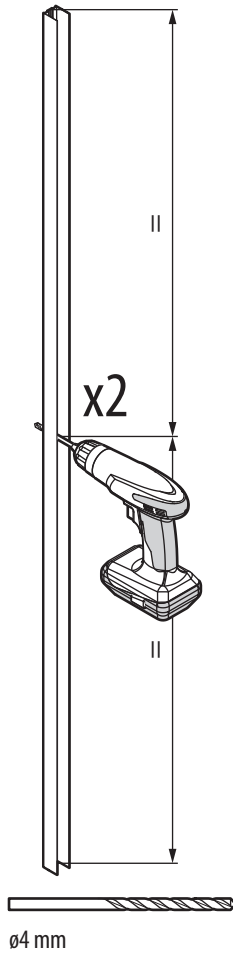
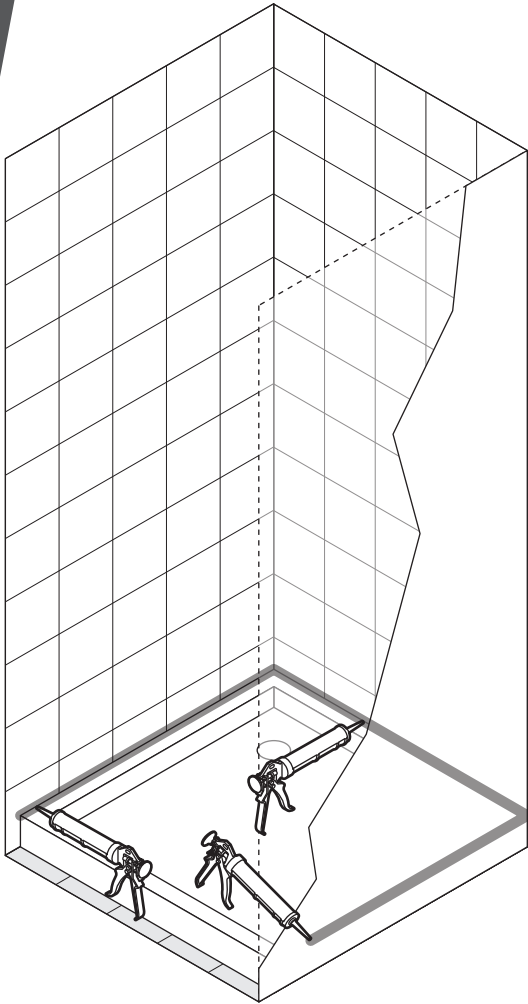
2B	P mm
87	870-910
97	970-1010

2B	V mm
87	870-910
97	970-1010

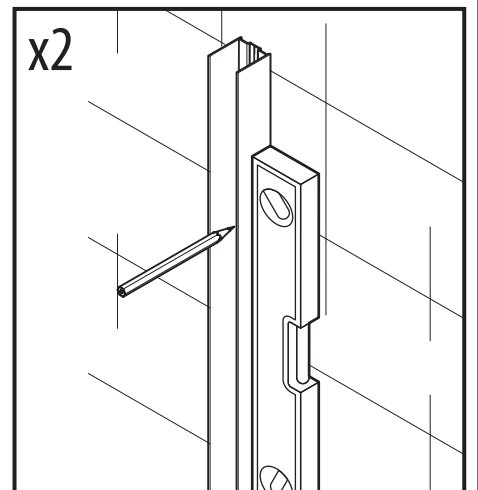
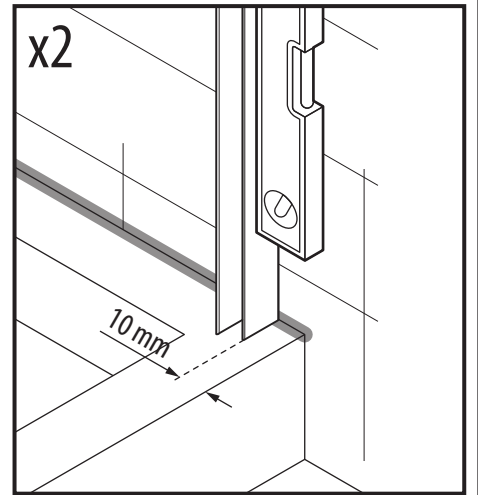
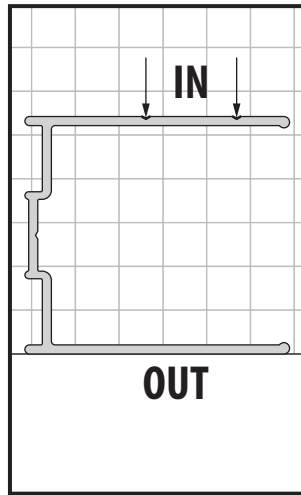
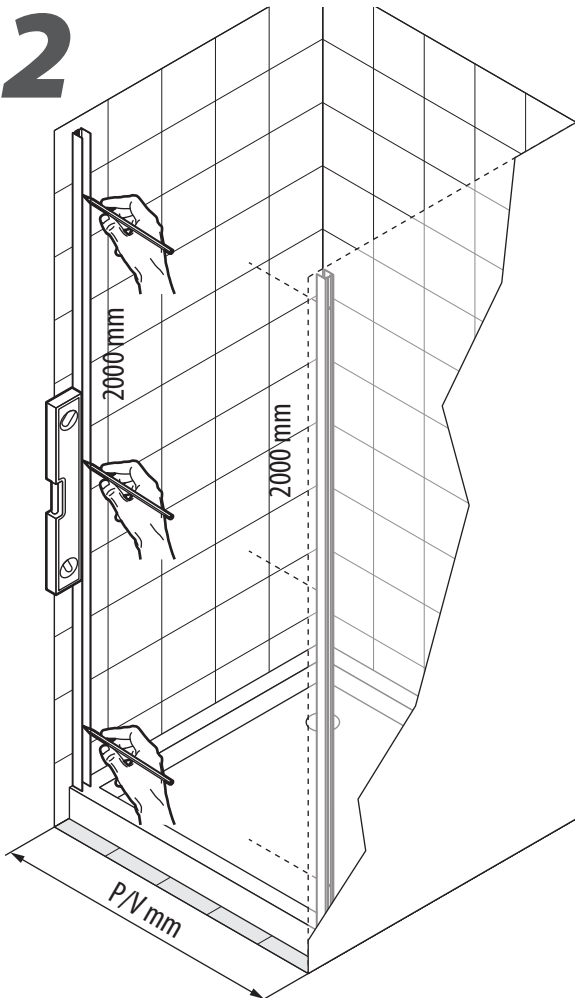


Neutral Clean shower
OR
WATER ONLY

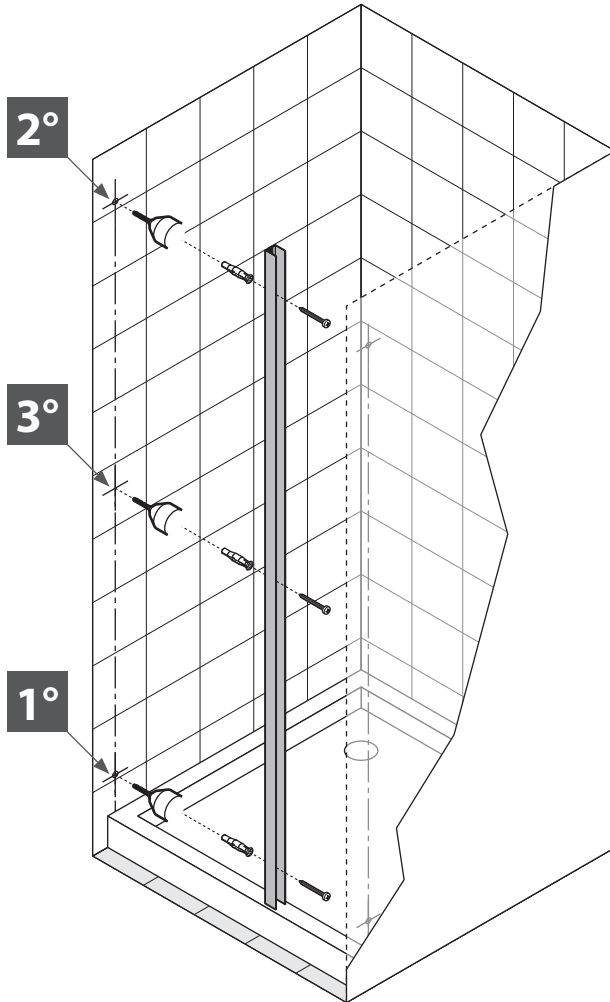
1



2



3



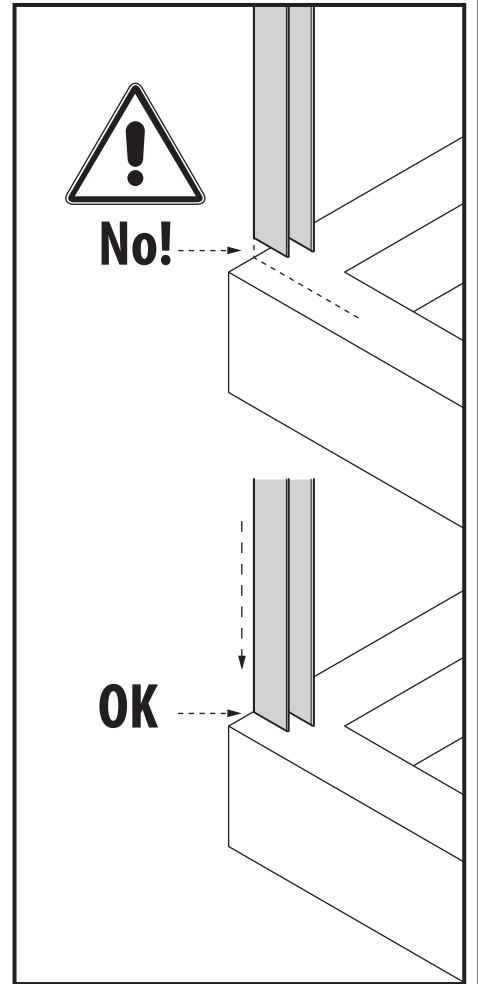
FU8x50 x3



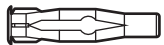
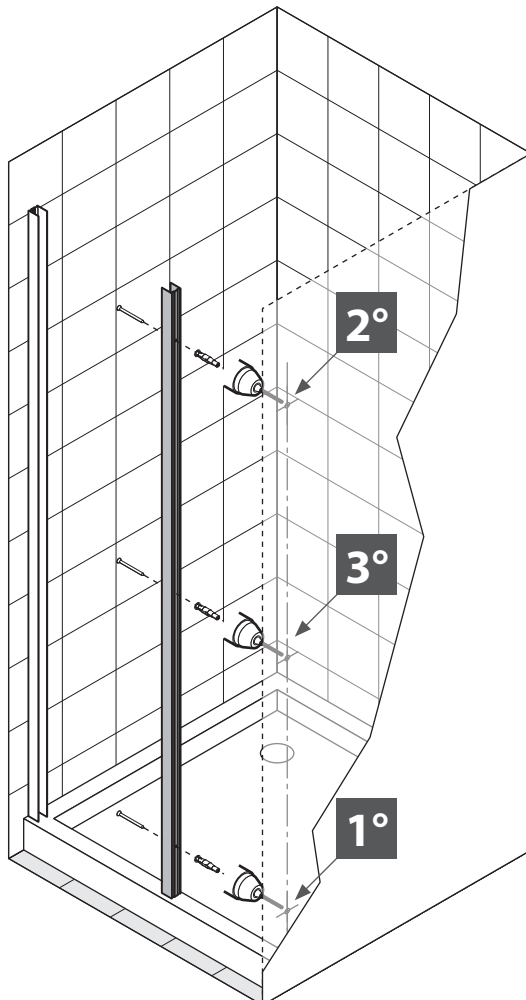
4,5x60 x3



ø8 mm



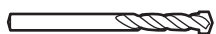
4



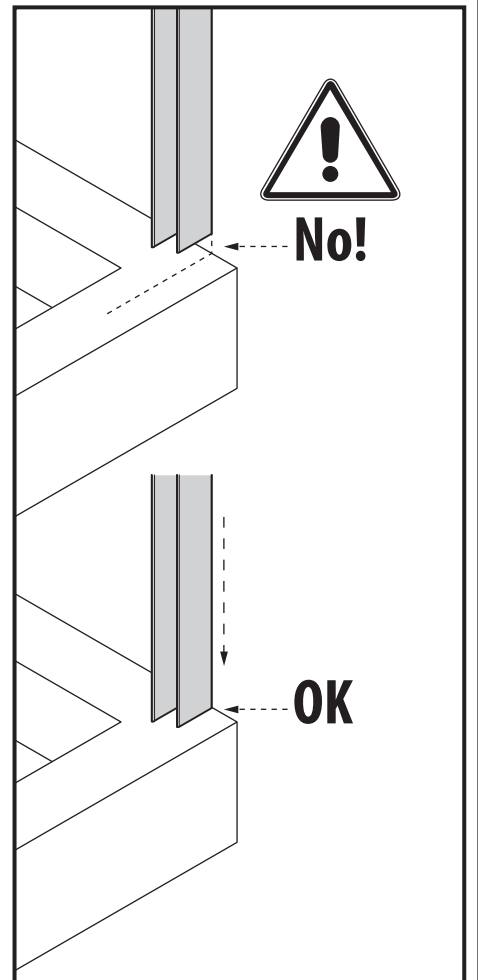
FU8x50 x3



4,5x60 x3

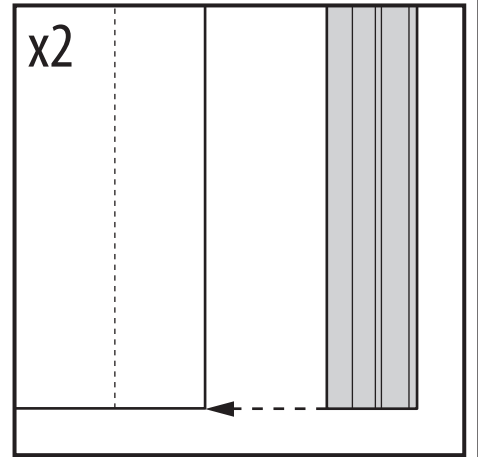
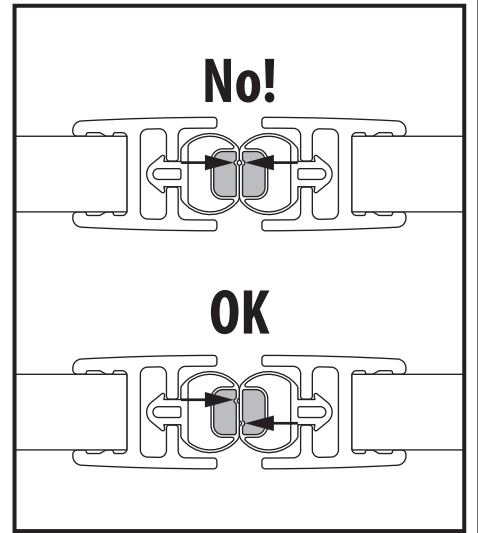
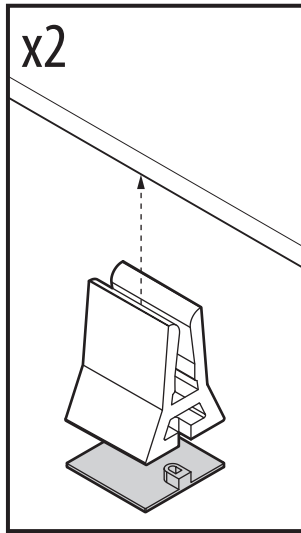
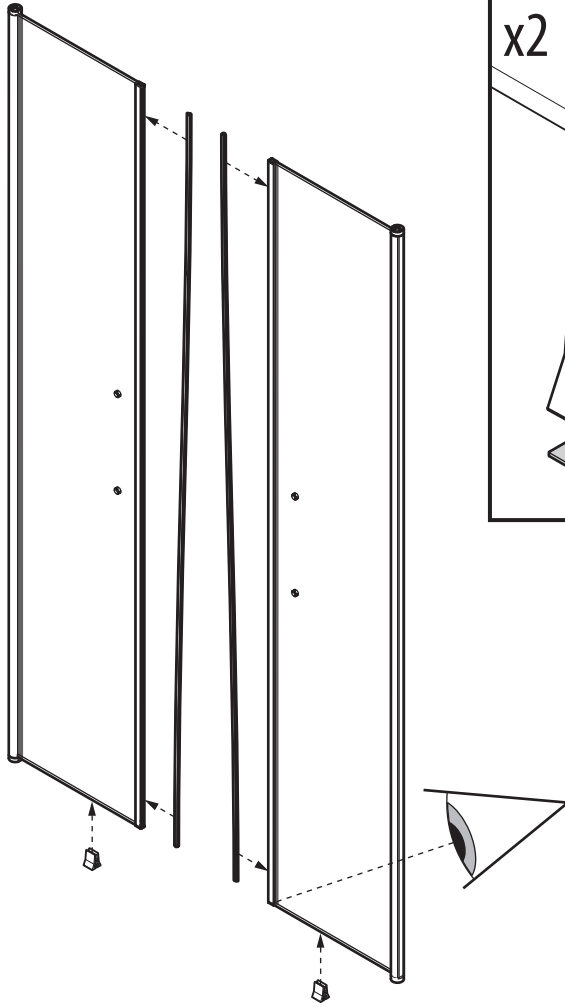


ø8 mm

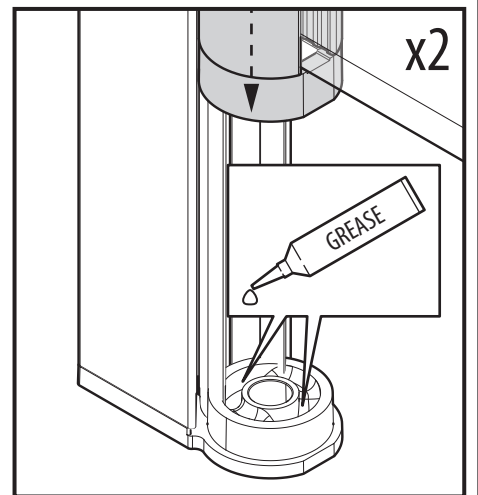
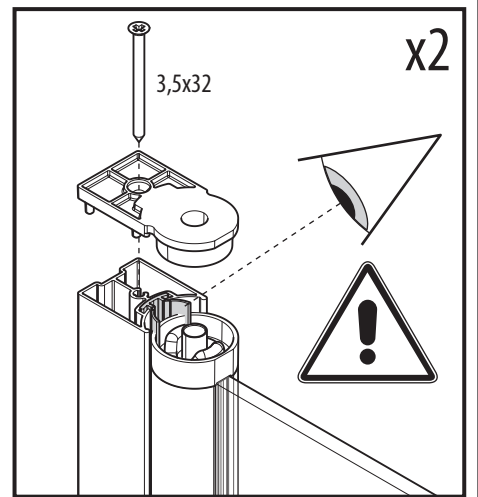
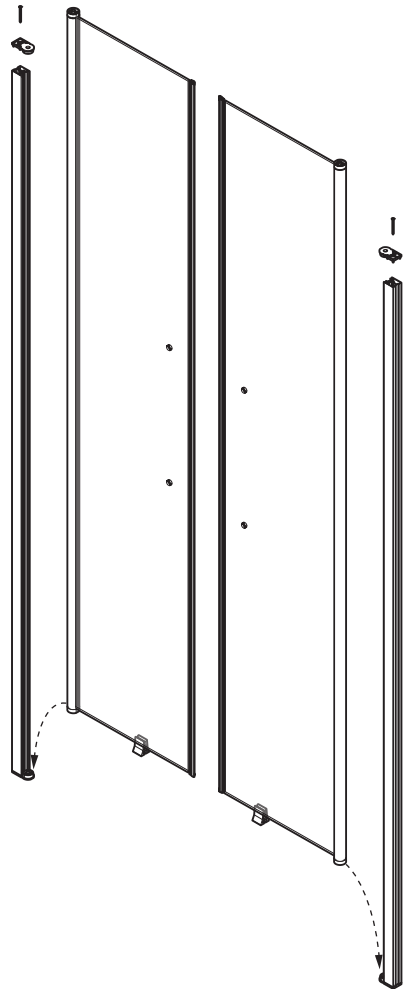


5

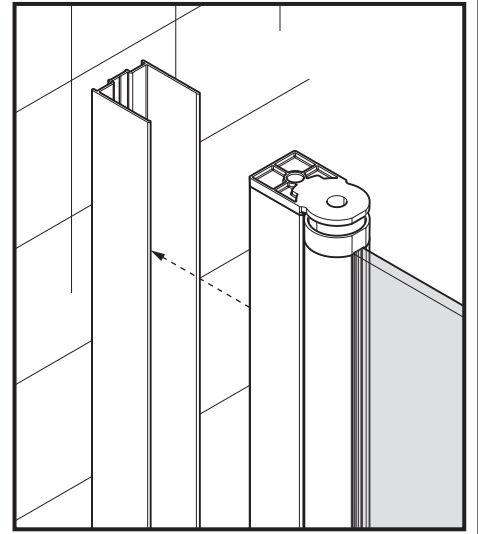
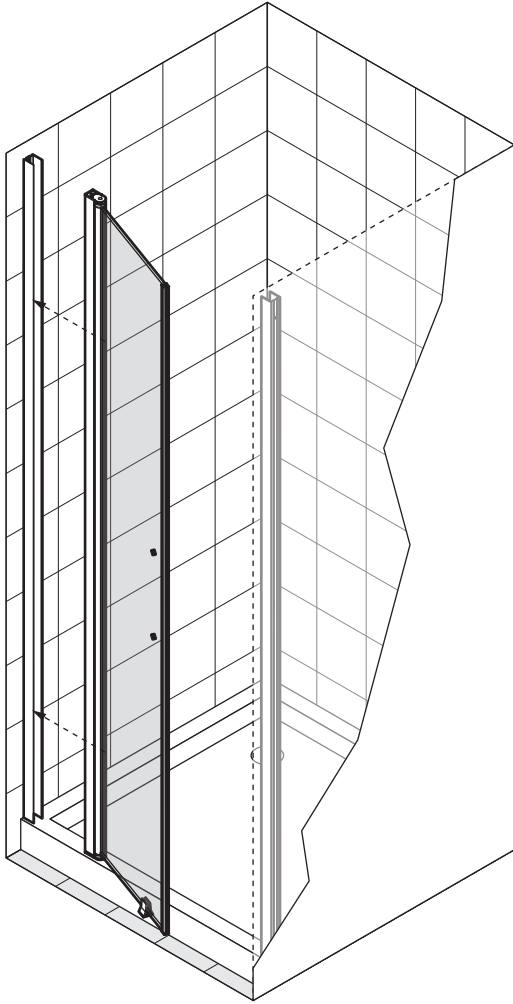
5



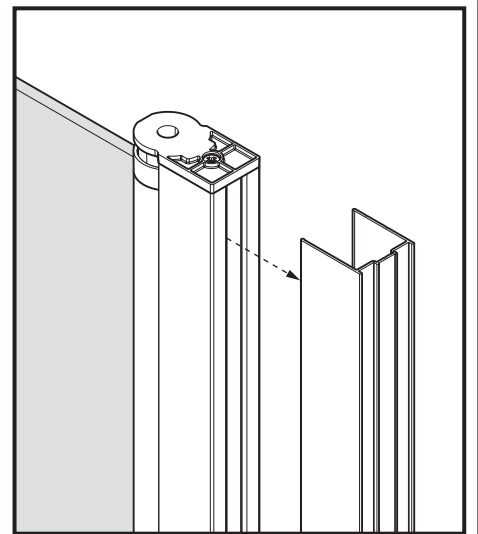
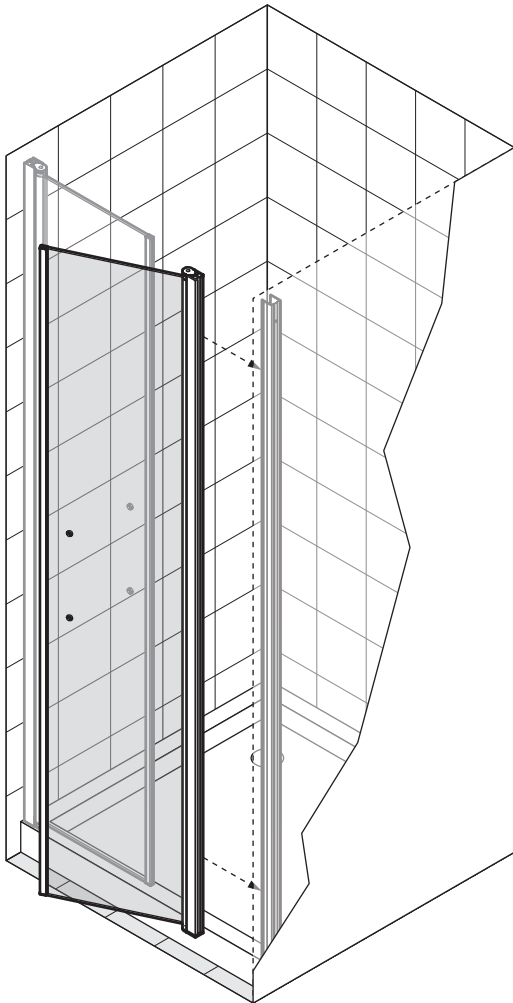
6



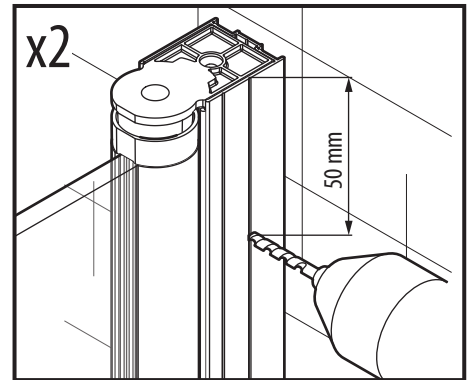
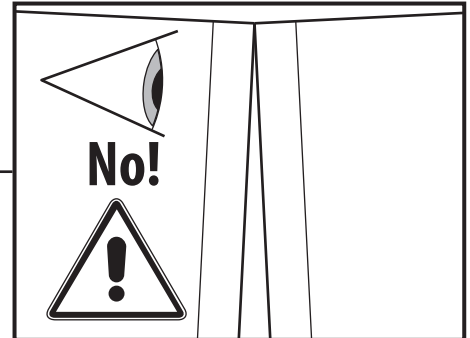
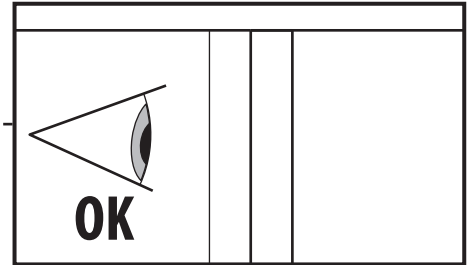
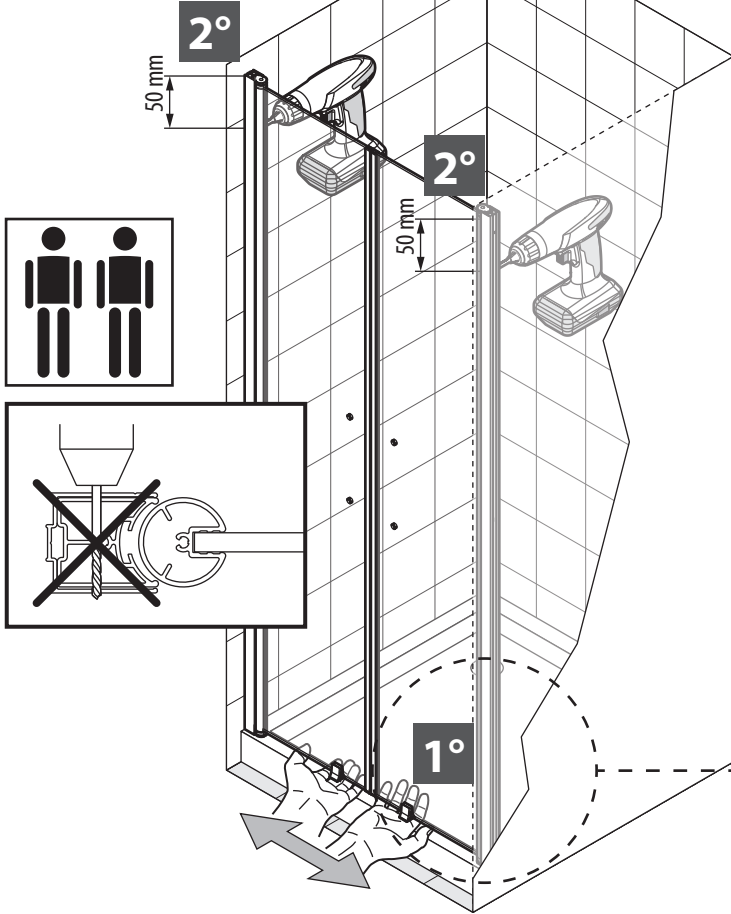
7



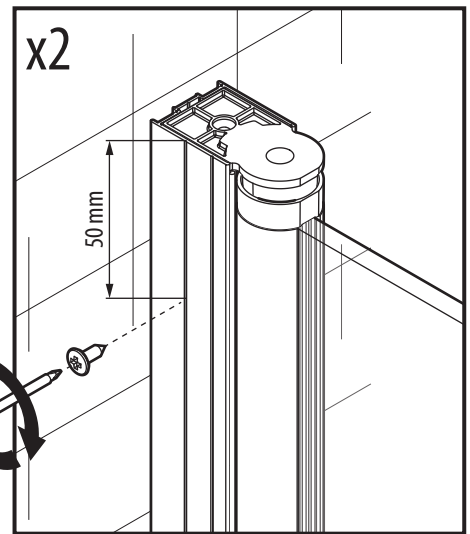
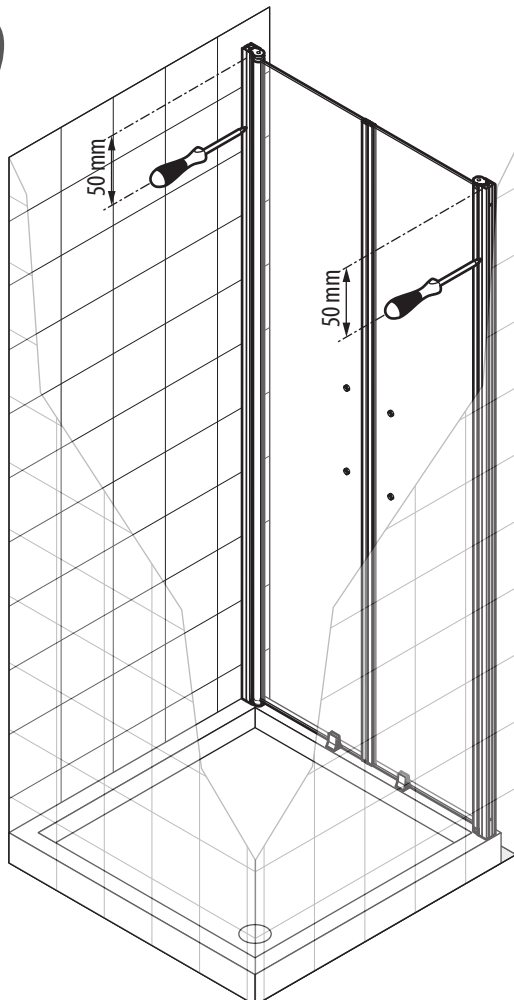
8



9



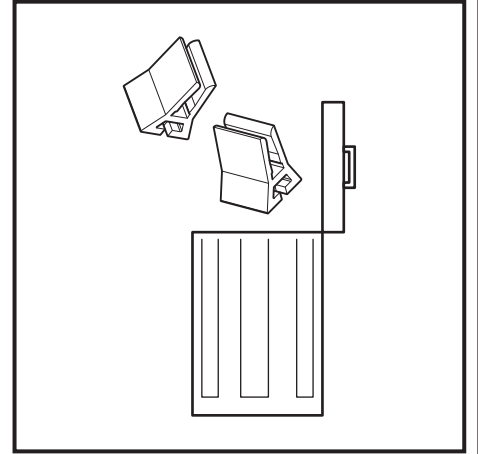
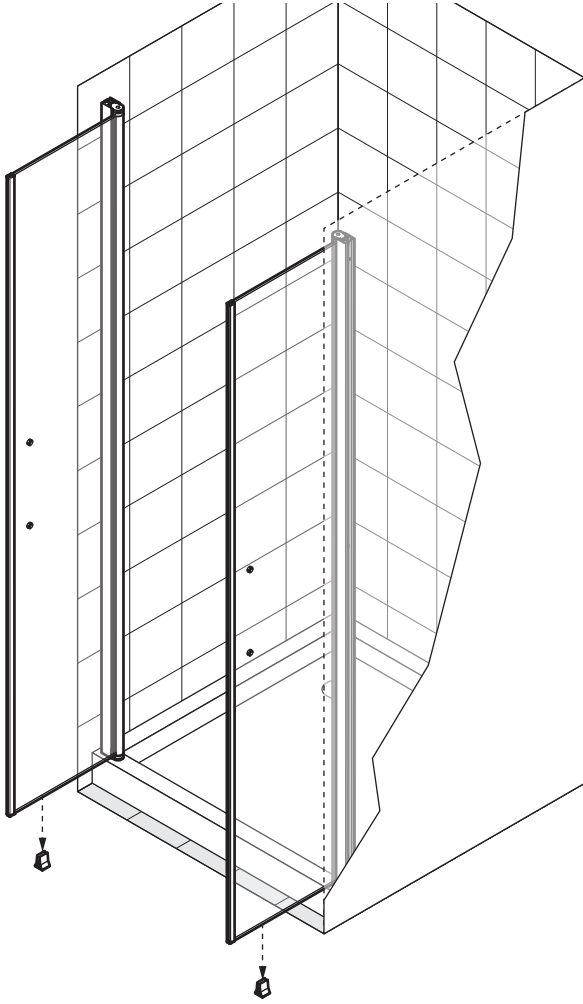
10



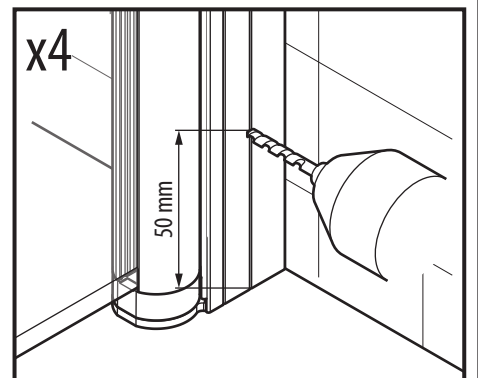
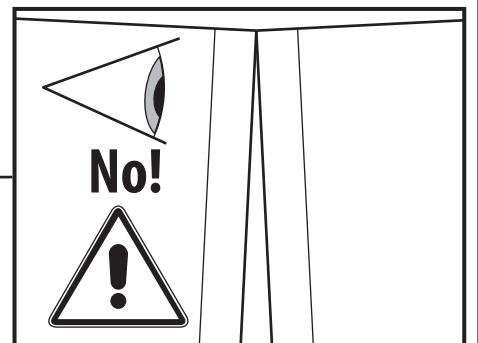
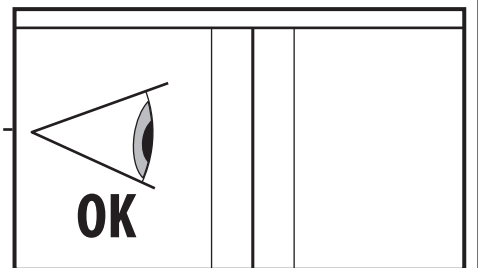
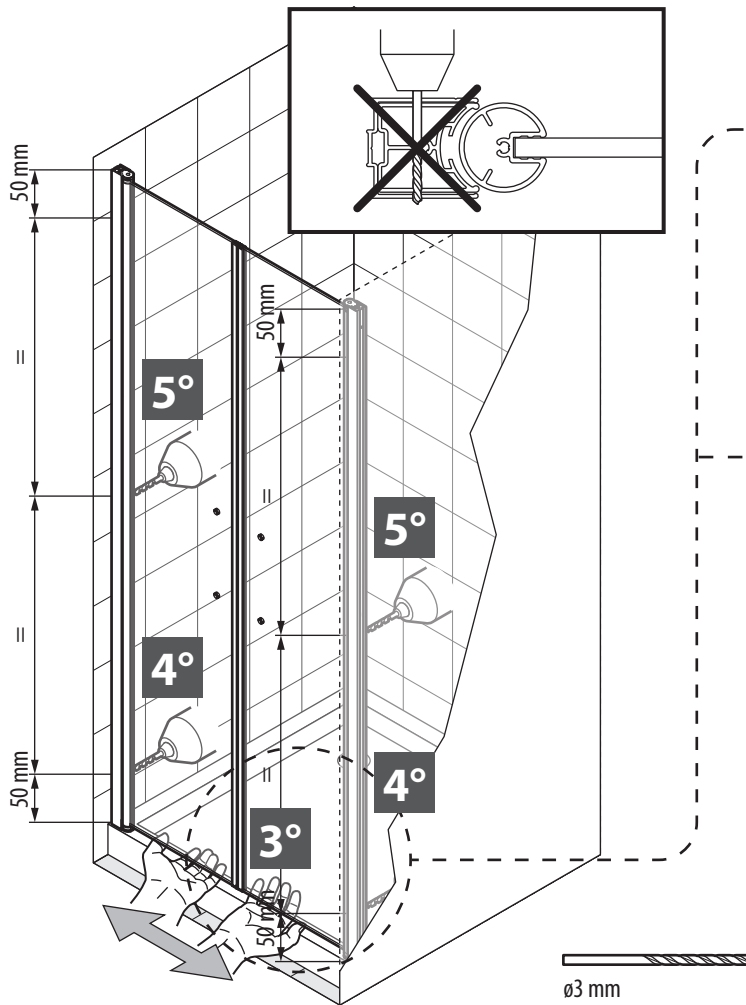
 3,5x9,5 mm x2

 x2

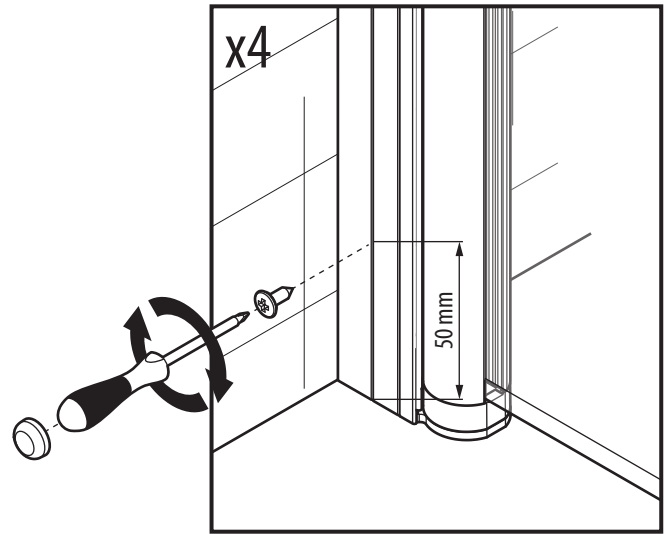
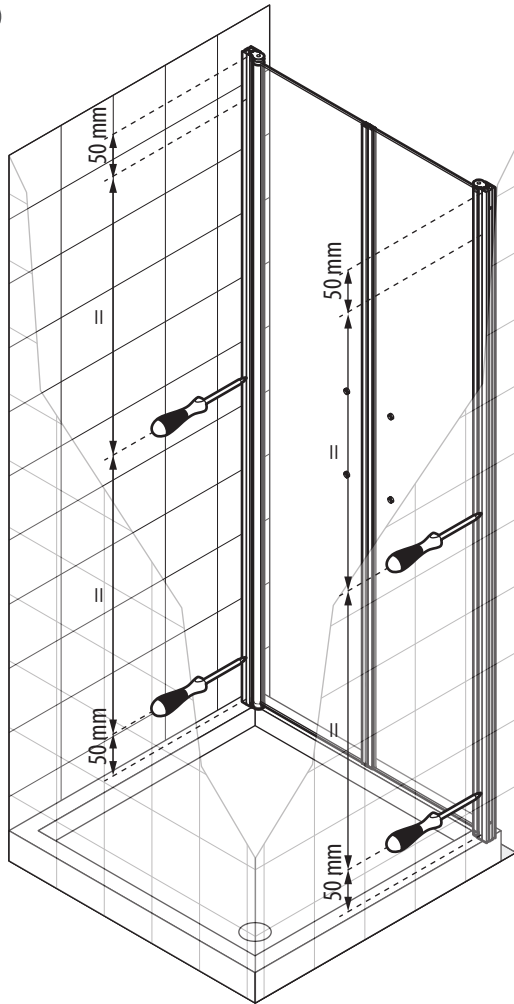
11




12



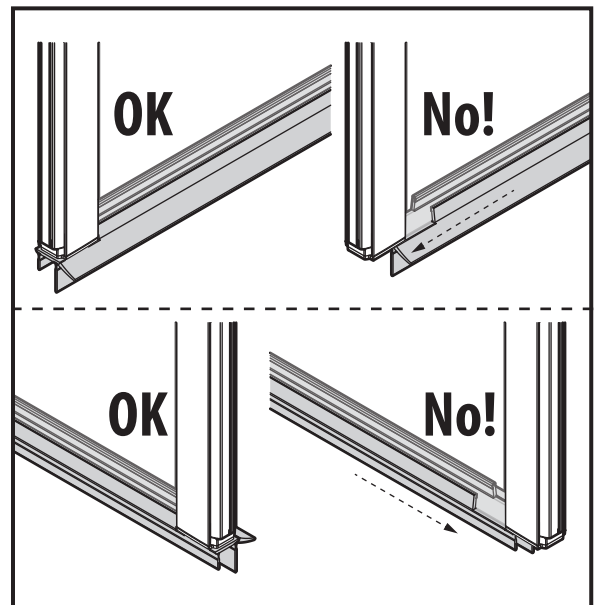
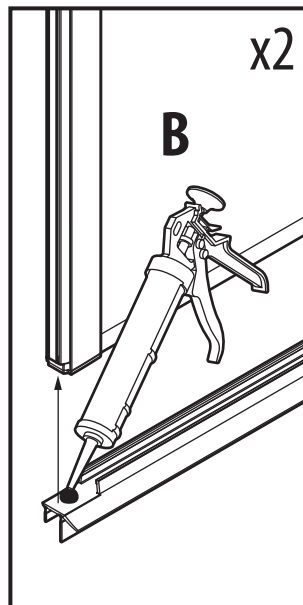
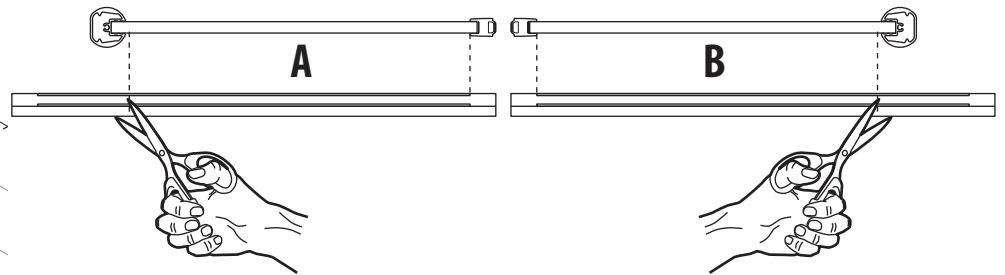
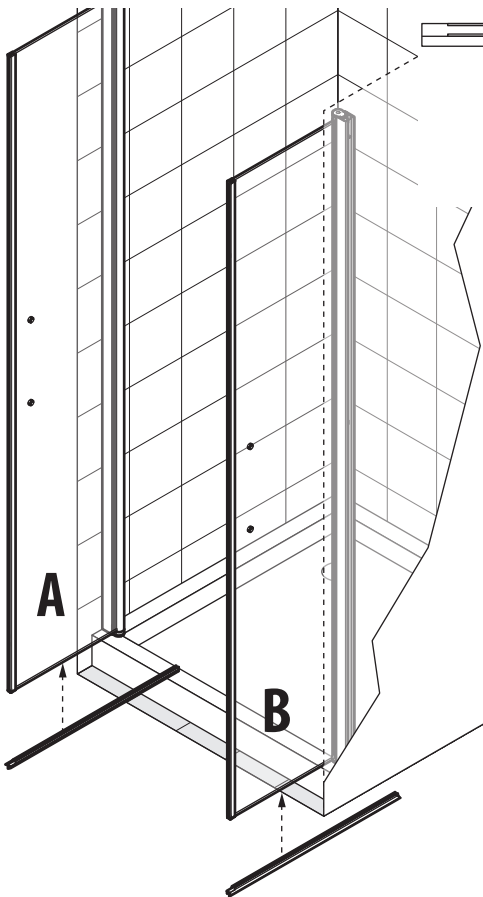
13



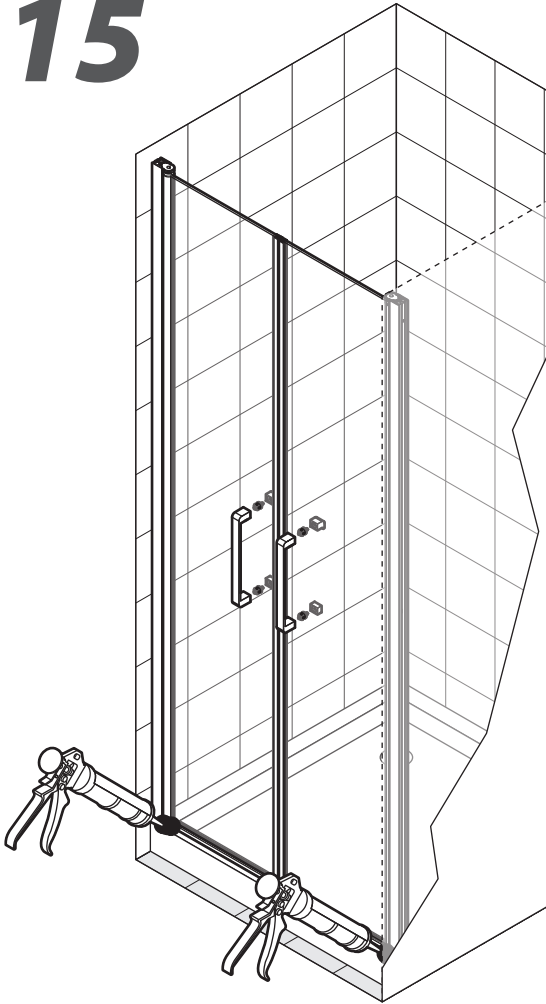
 3,5x9,5 mm x4

 x4

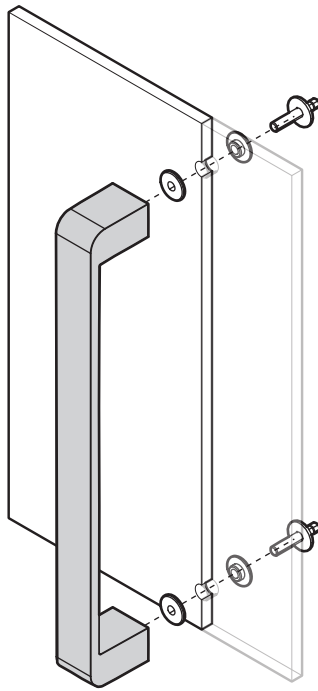
14



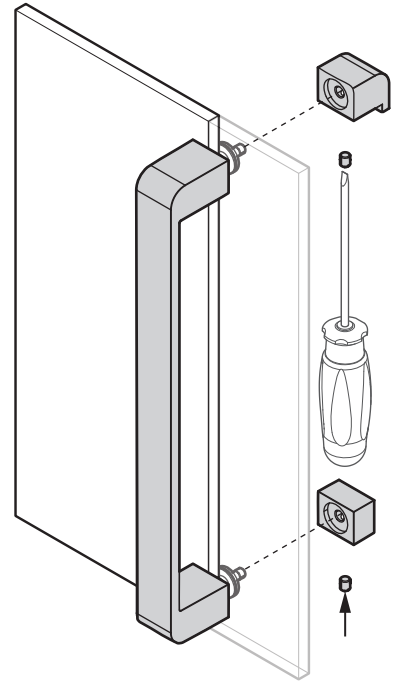
15



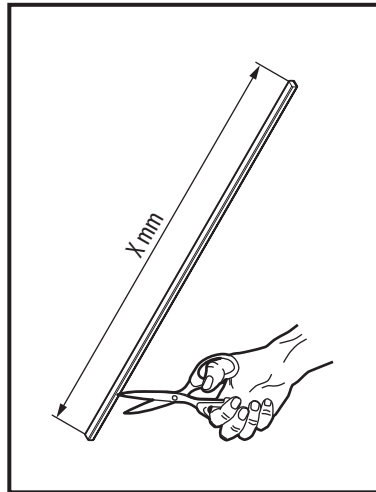
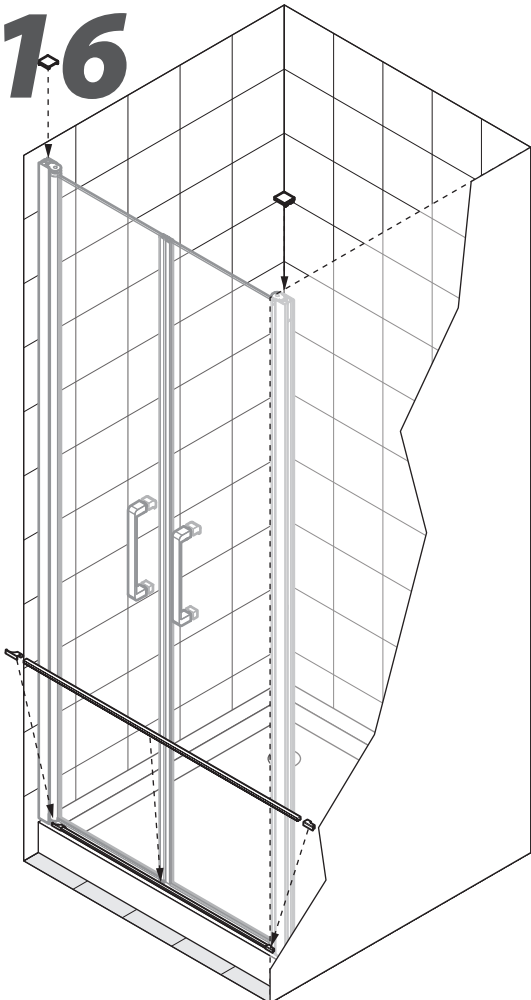
x2  x2



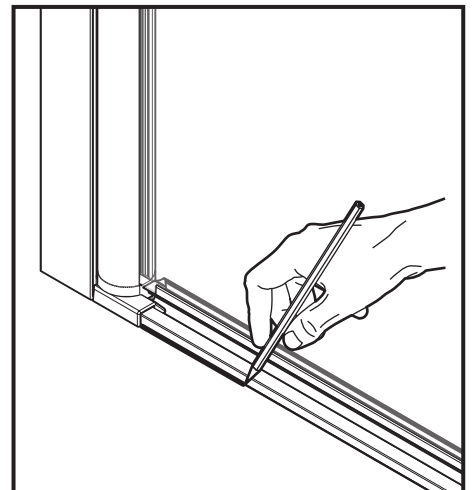
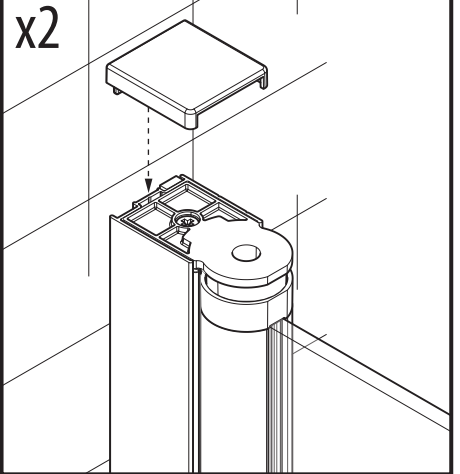
x2  M5x6 x2



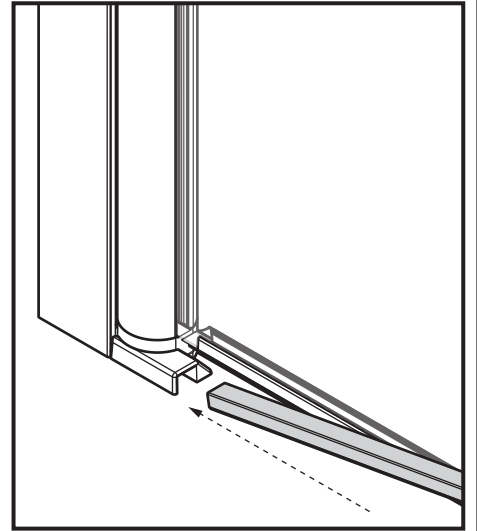
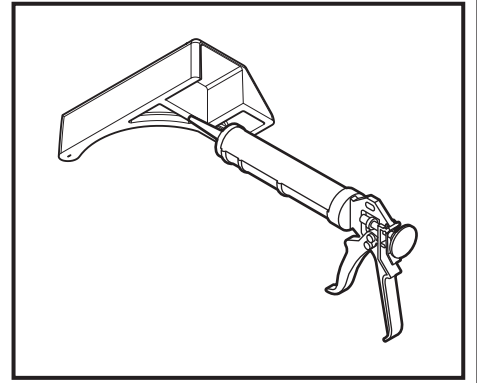
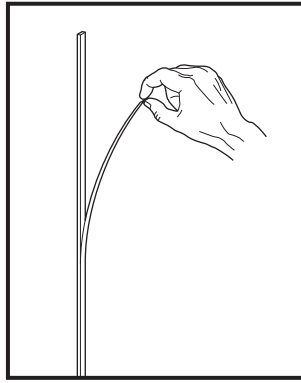
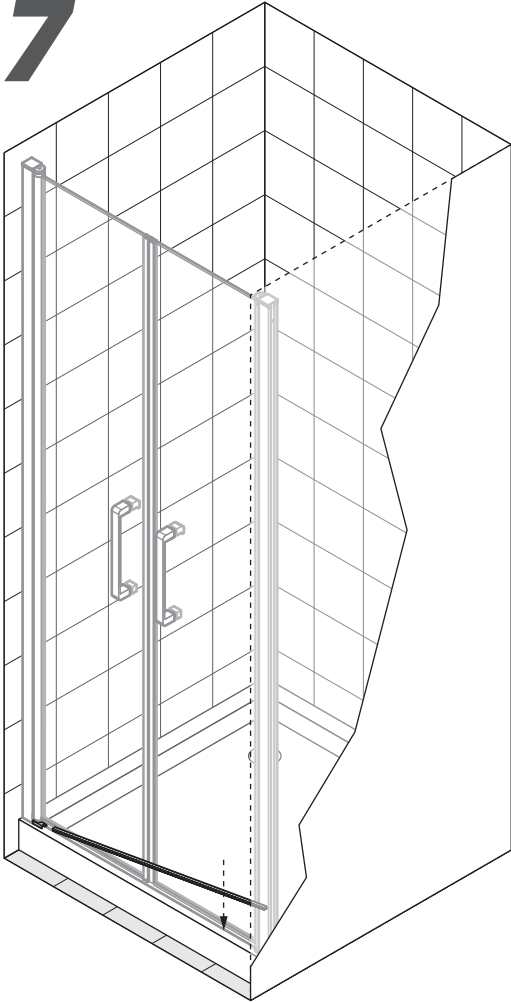
16



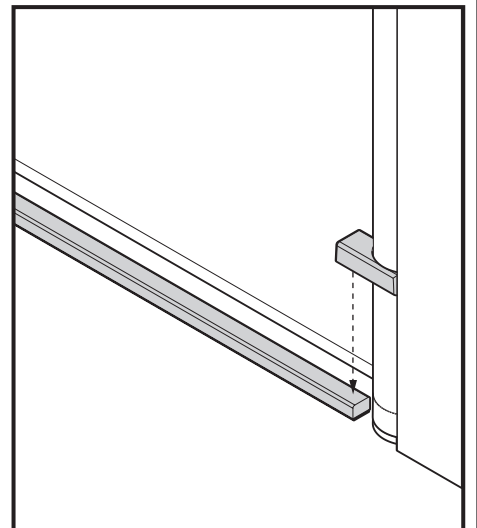
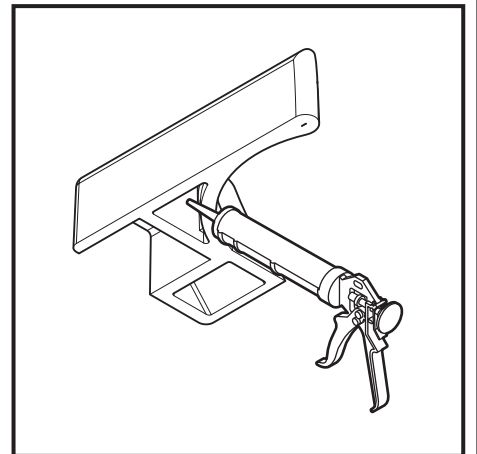
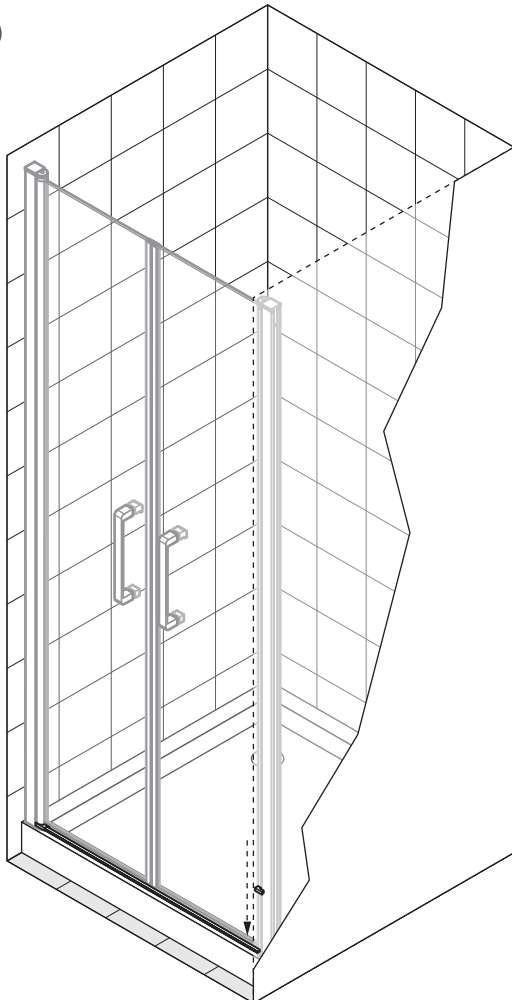
2B	X mm
87	750
97	850



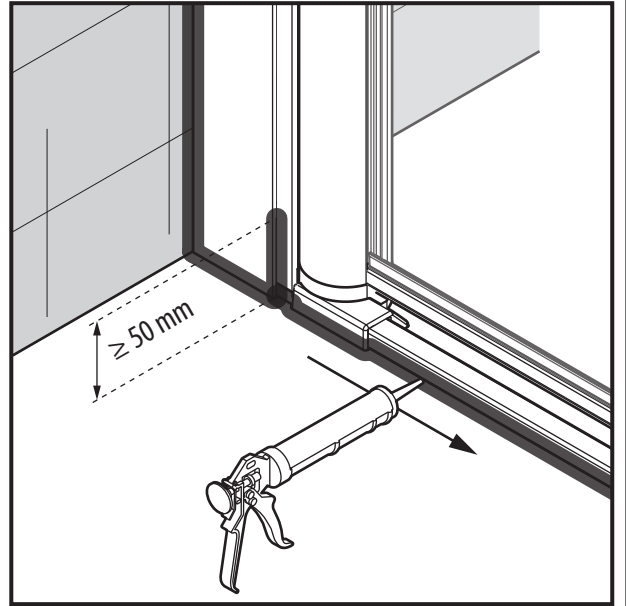
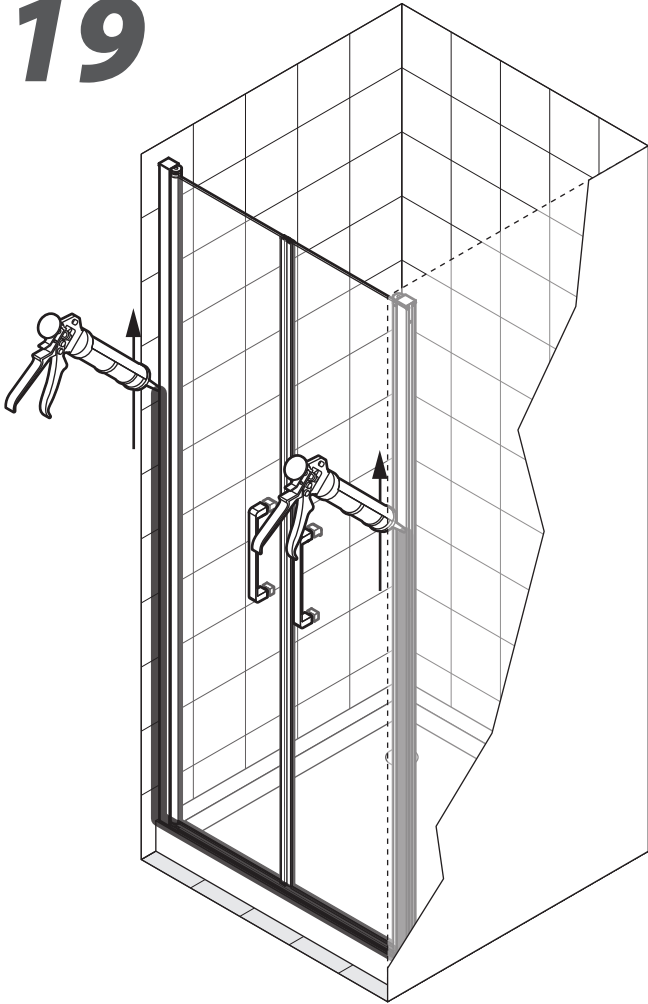
17



18



19



20

