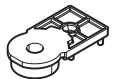
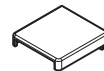
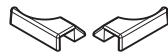
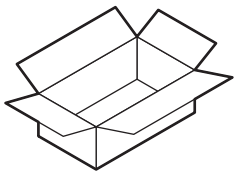
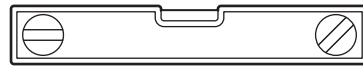
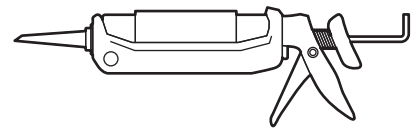
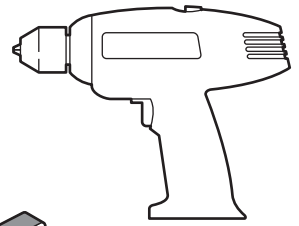
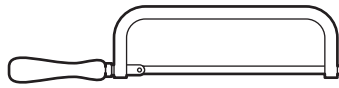
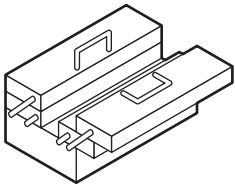


| | |
|--|--|
| | |
| | |
| | |
| | |



x1

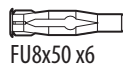
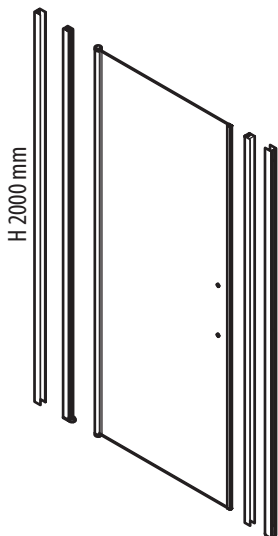
x1

x1

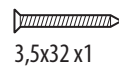
x1

x2

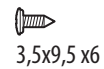
x1



FU8x50 x6



3,5x32 x1



3,5x9,5 x6



4,5x60 x6



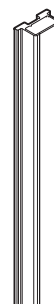
x6



x1



x1



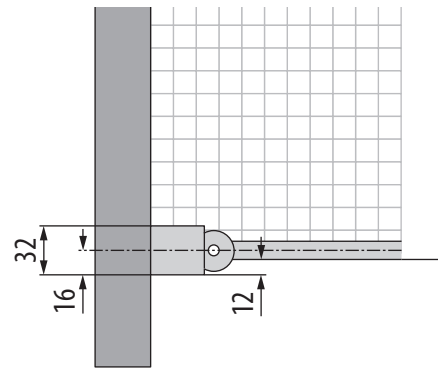
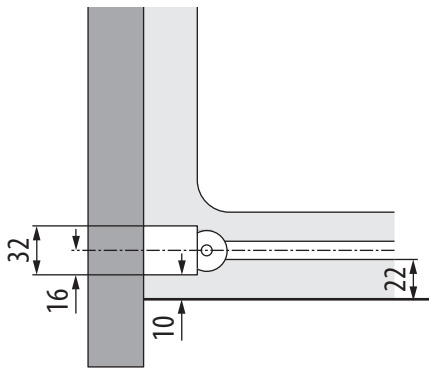
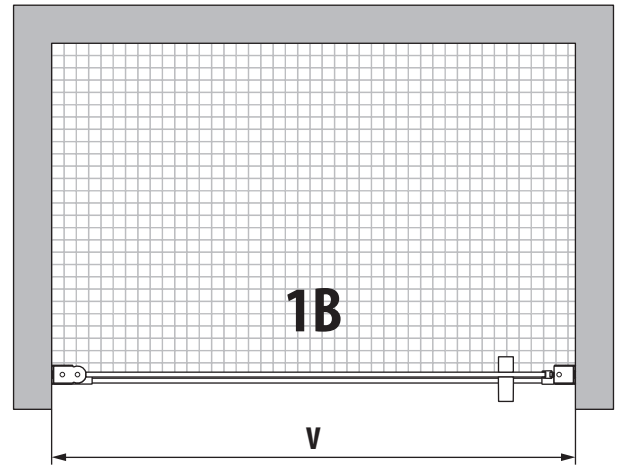
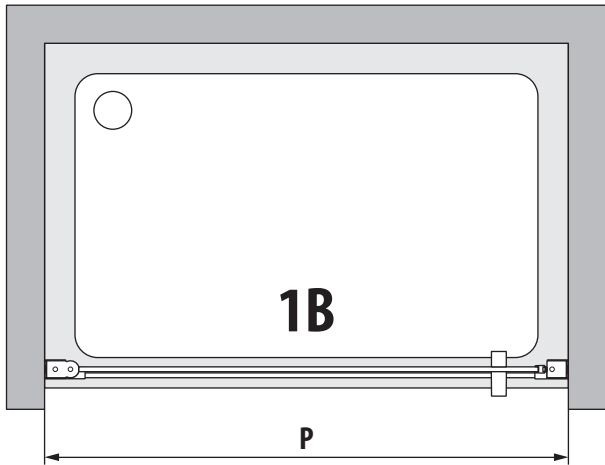
x1



x1

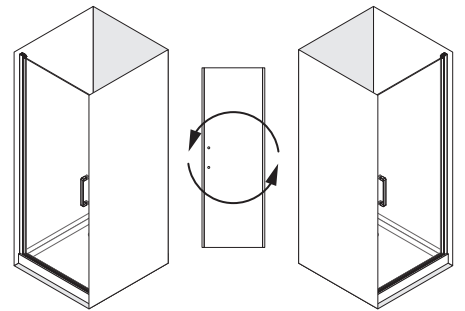
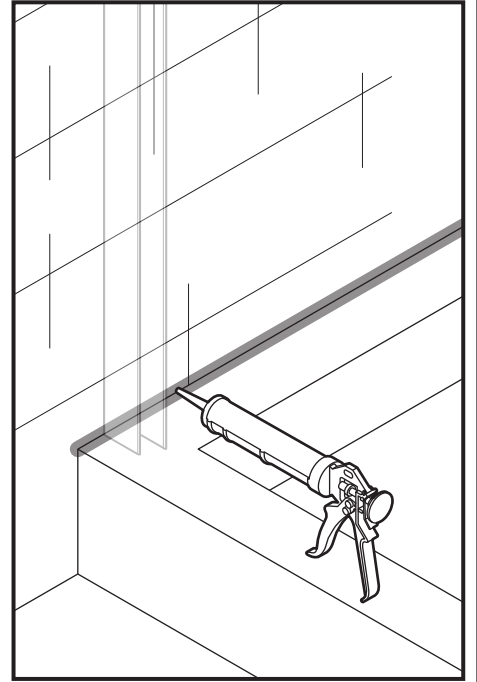
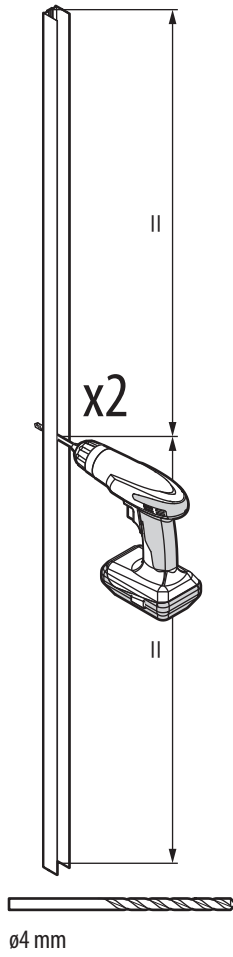
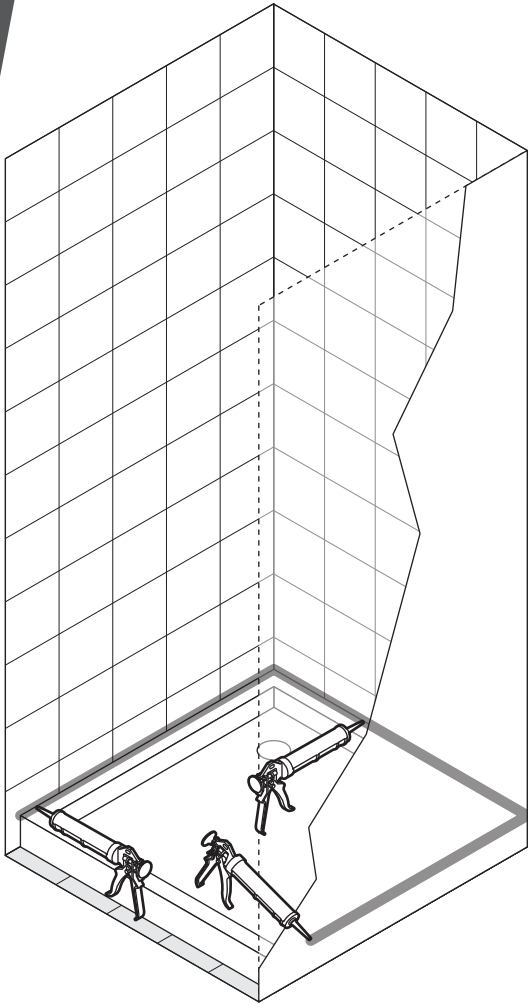
| 1B | P mm |
|----|----------|
| 87 | 870-910 |
| 97 | 970-1010 |

| 1B | V mm |
|----|----------|
| 87 | 870-910 |
| 97 | 970-1010 |

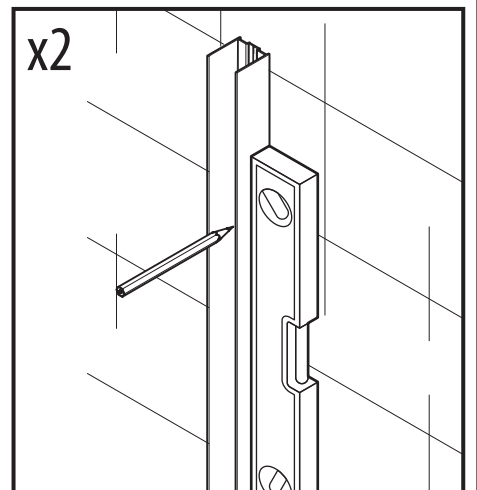
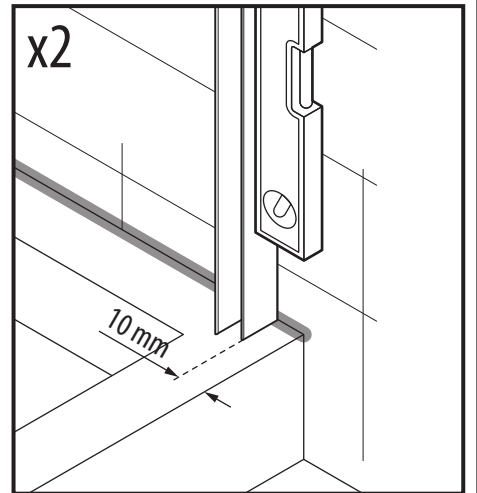
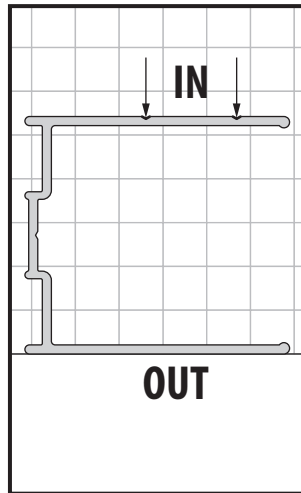
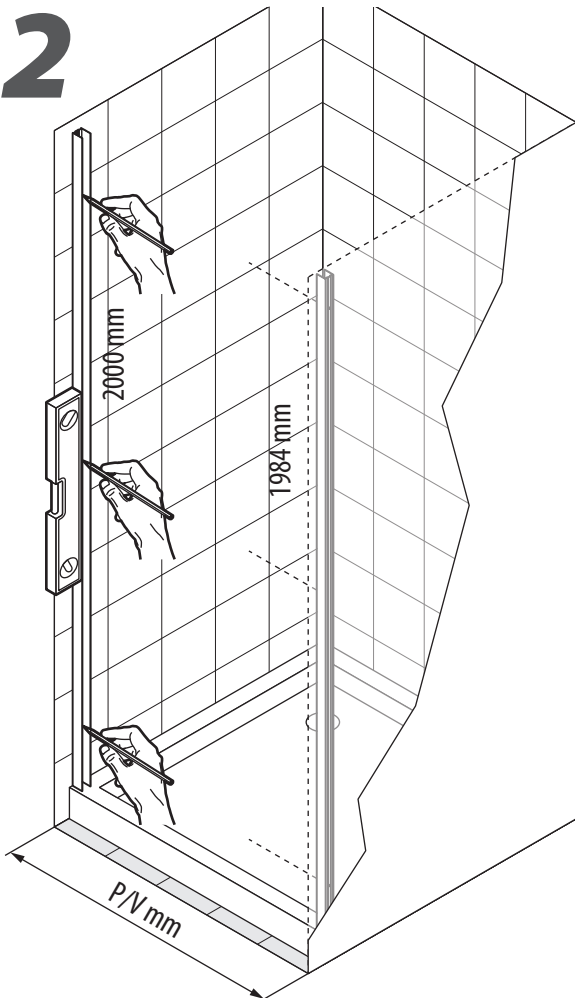


Neutral Clean shower
OR
WATER ONLY

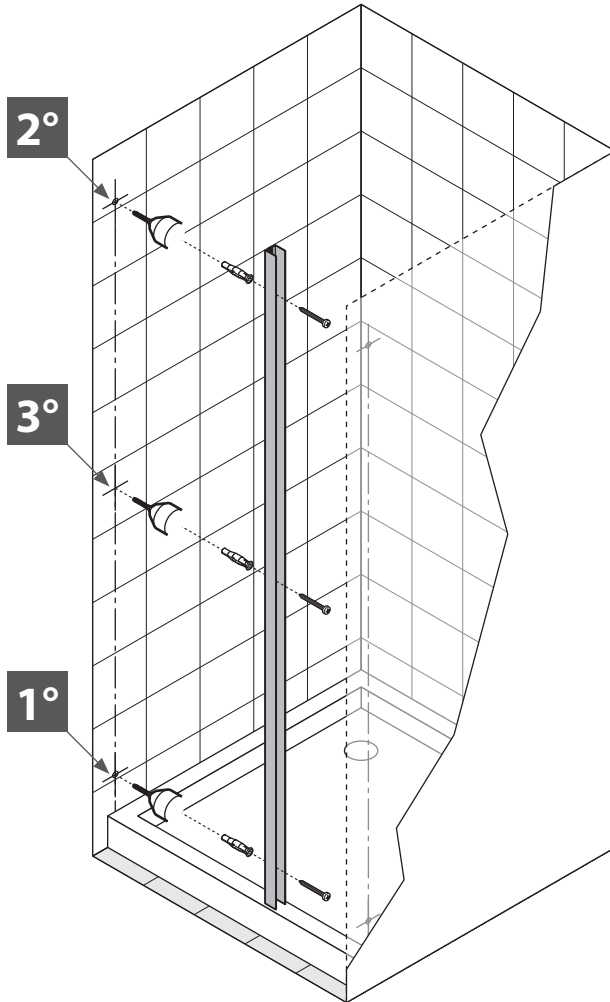
1



2



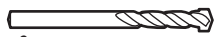
3



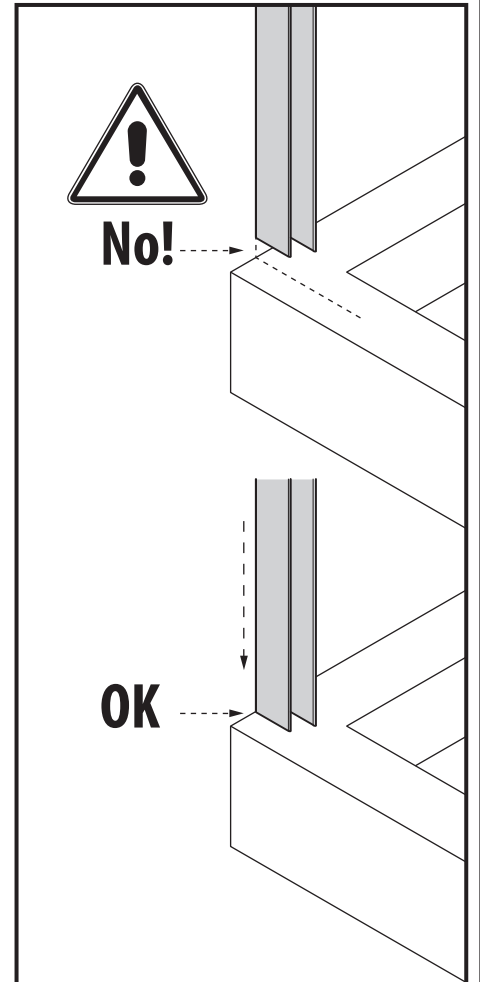
FU8x50 x3



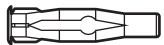
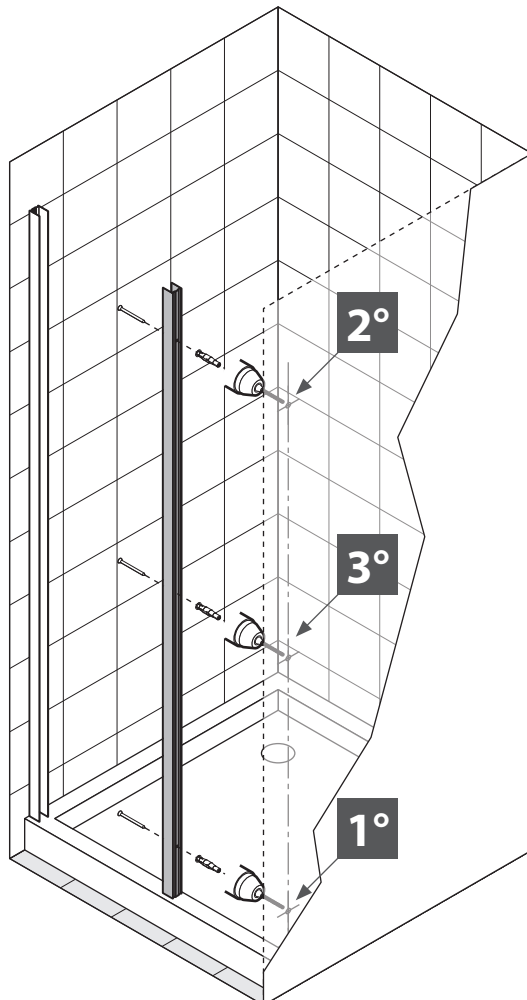
4,5x60 x3



ø8 mm



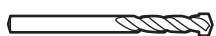
4



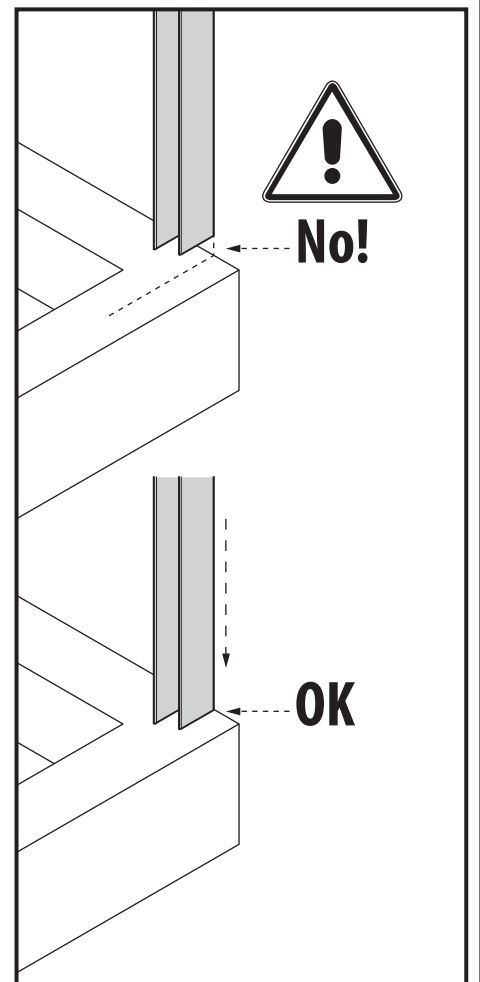
FU8x50 x3



4,5x60 x3

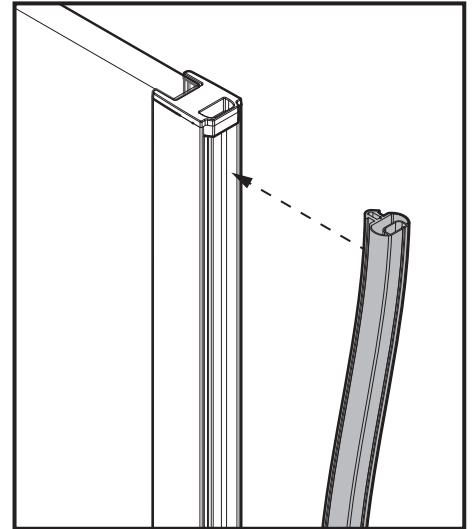
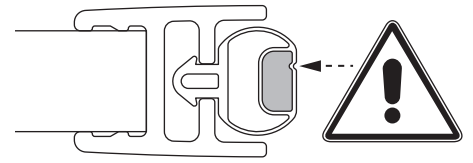
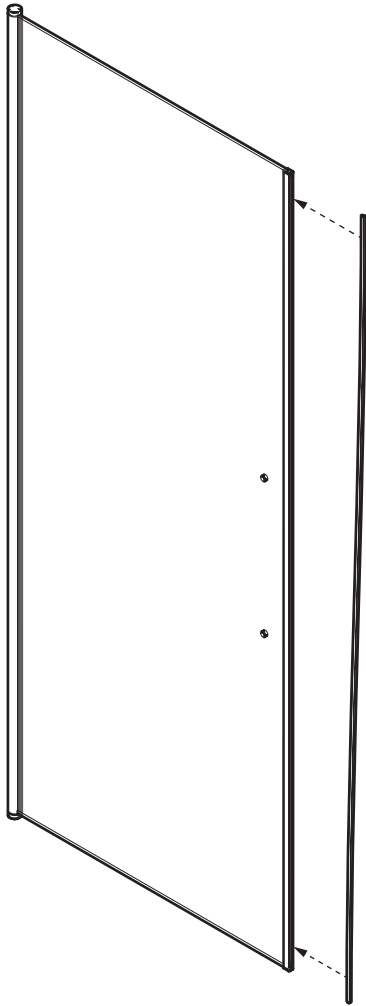


ø8 mm

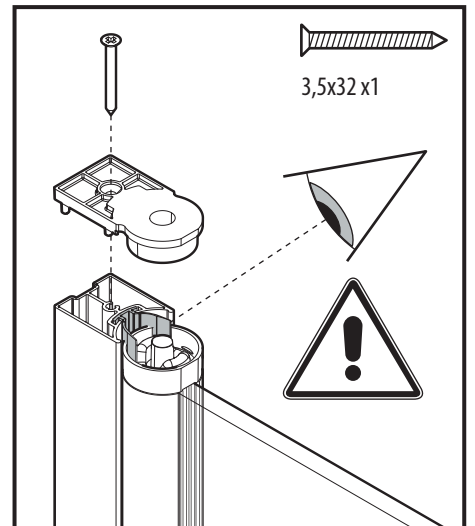
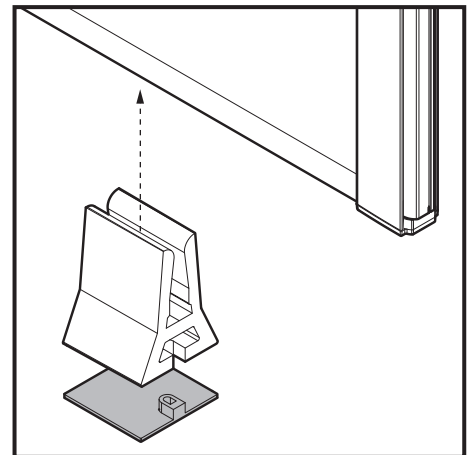
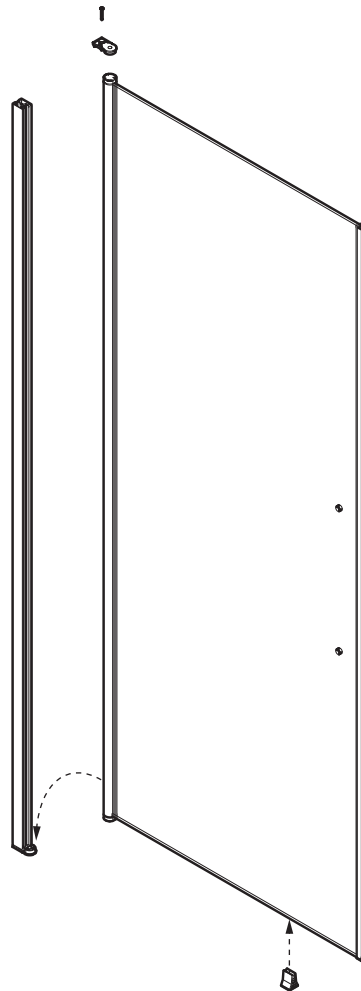
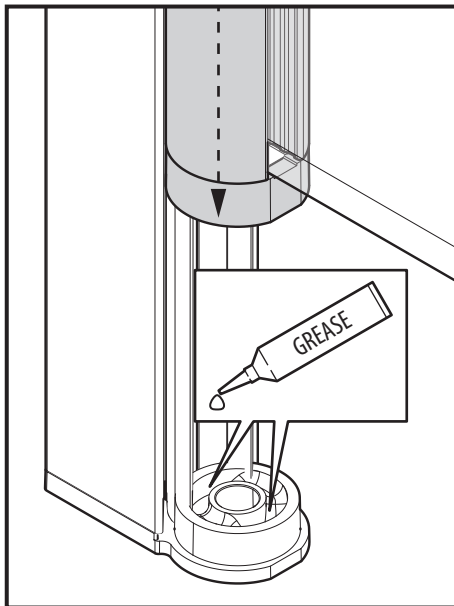


5

5

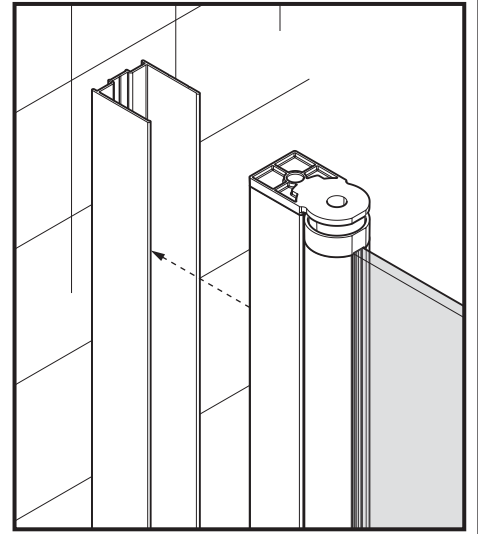
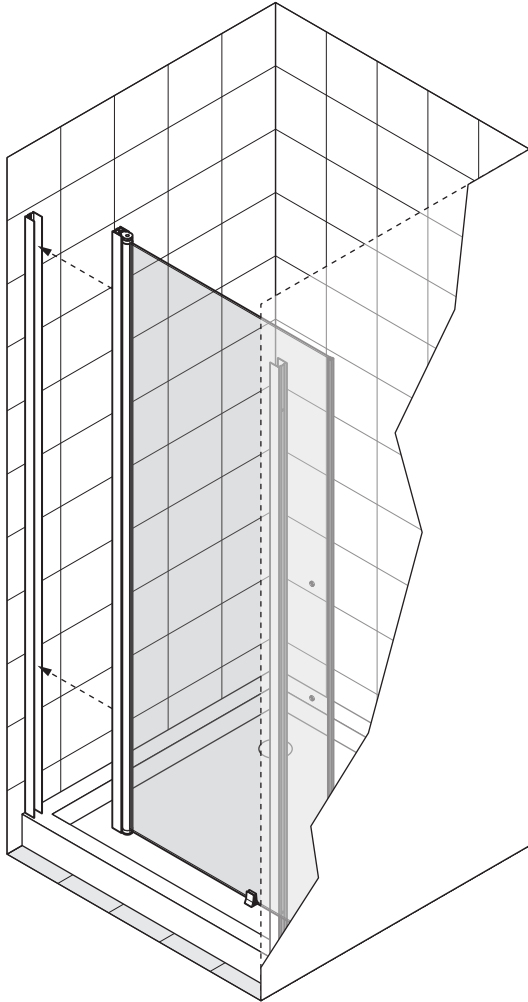


6

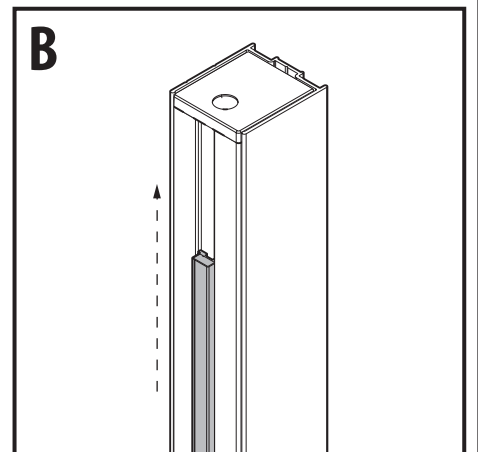
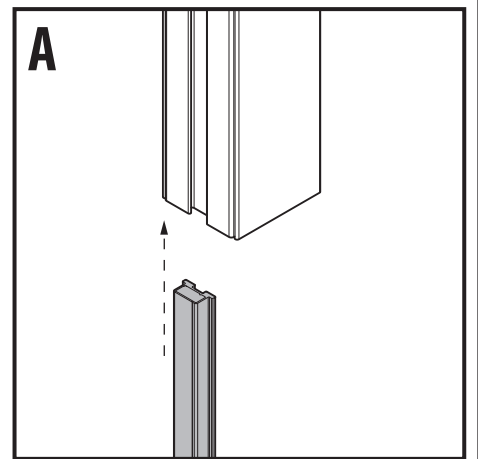
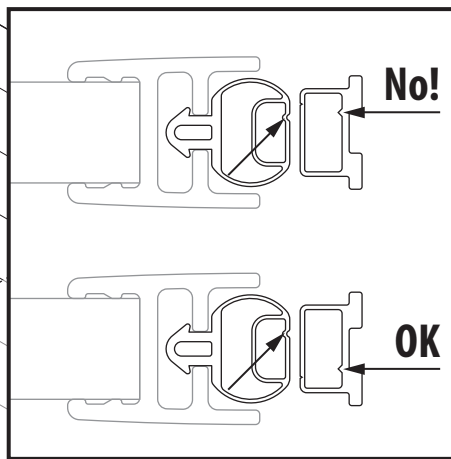
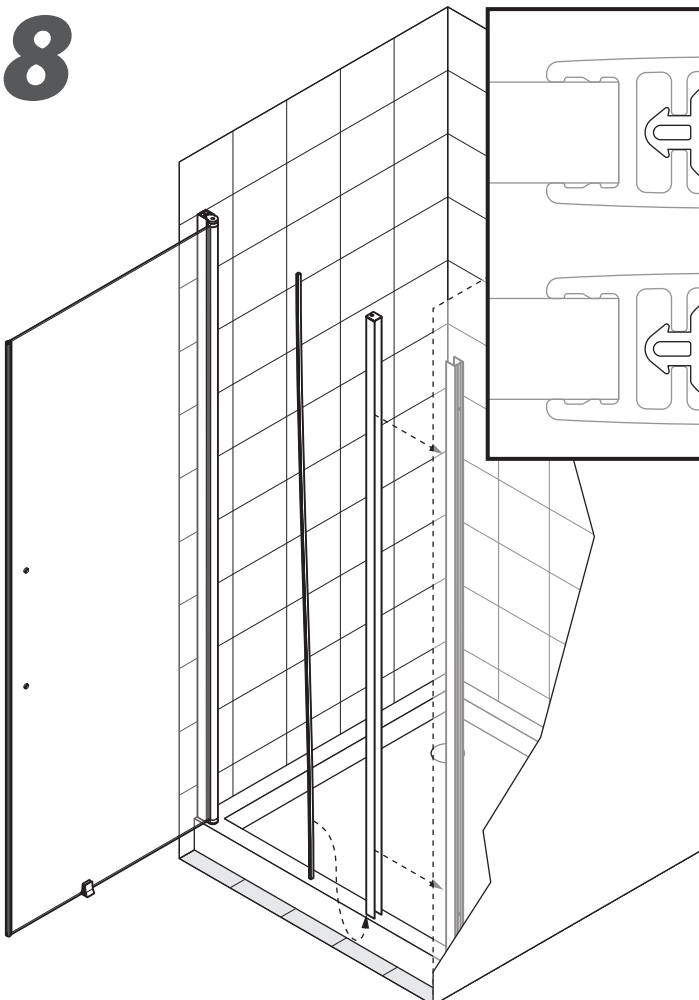


6

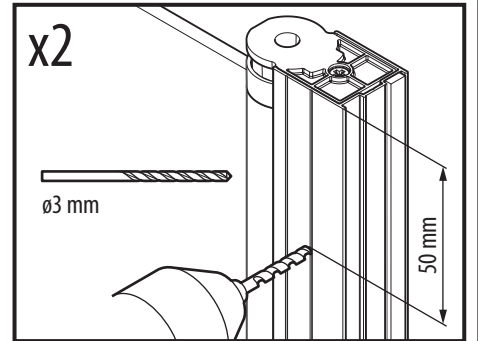
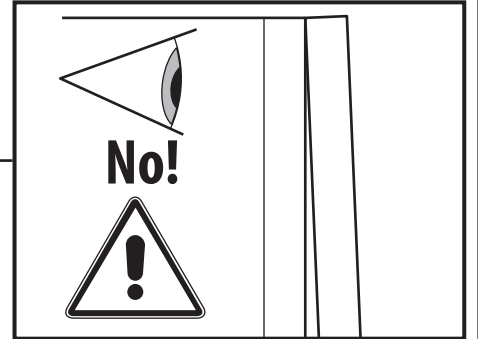
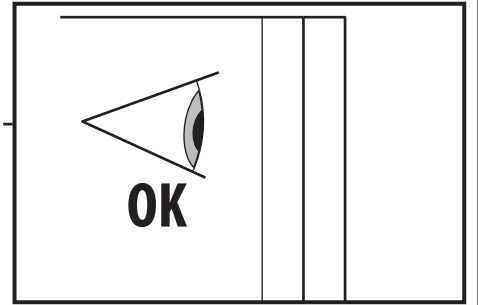
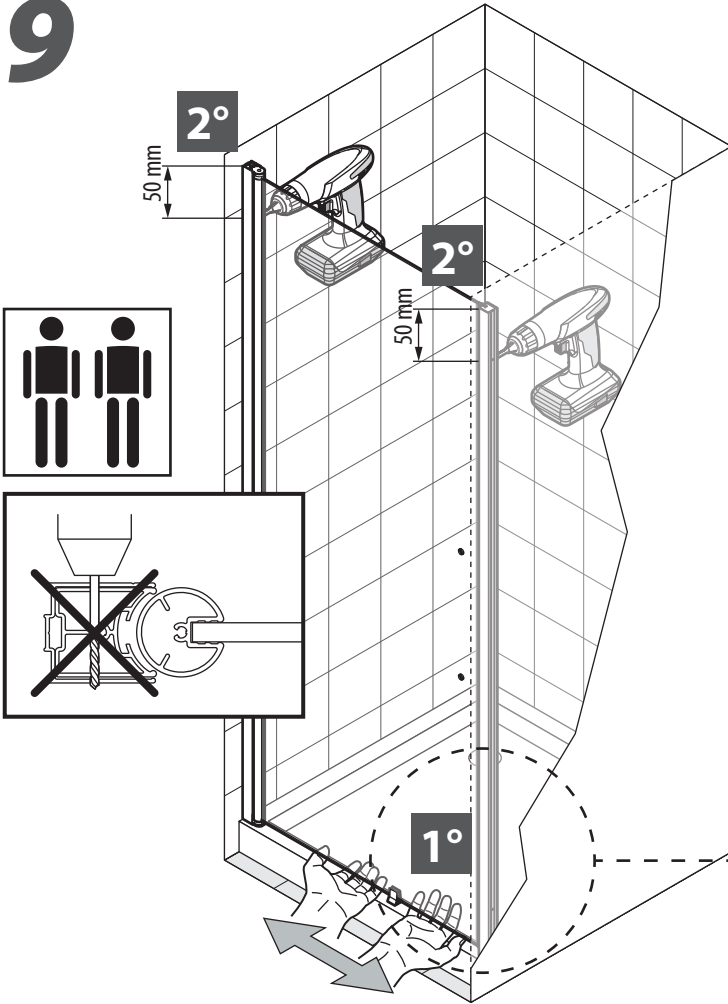
7



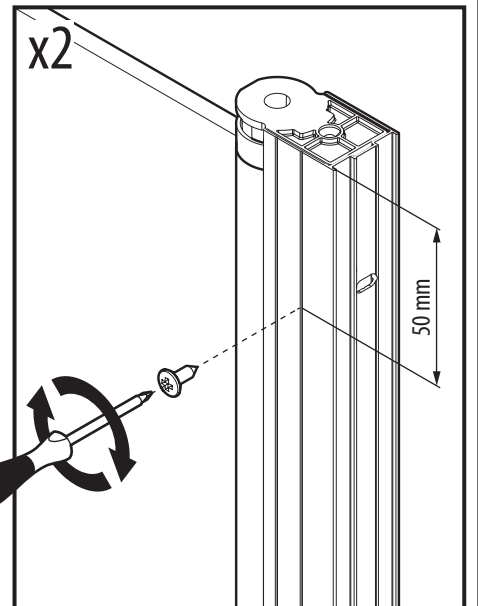
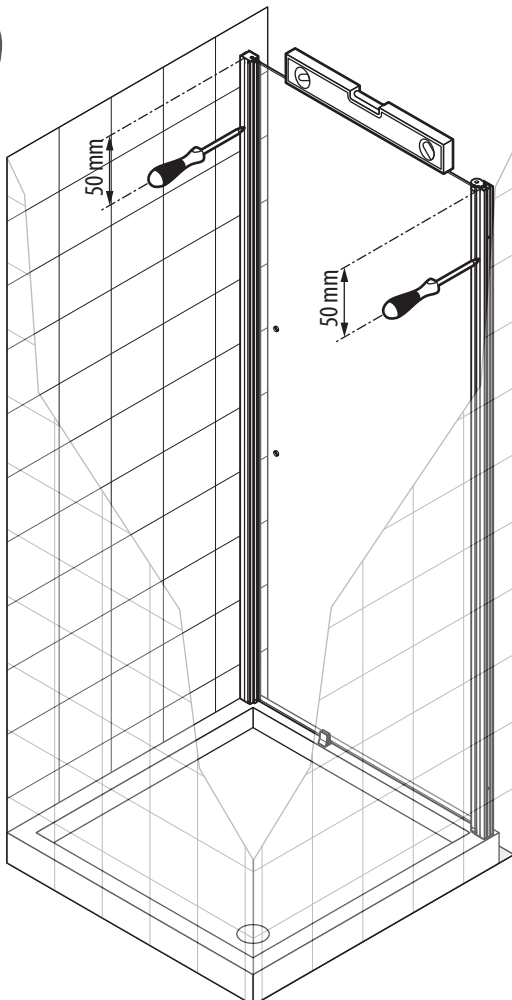
8




9



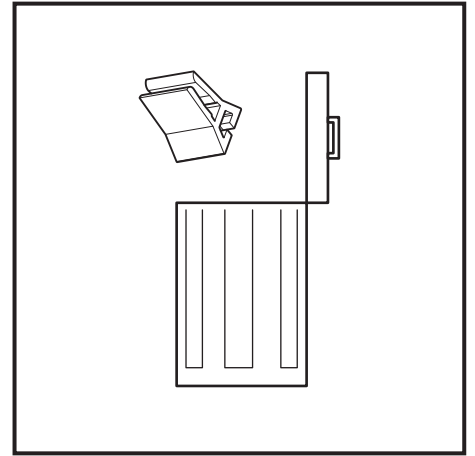
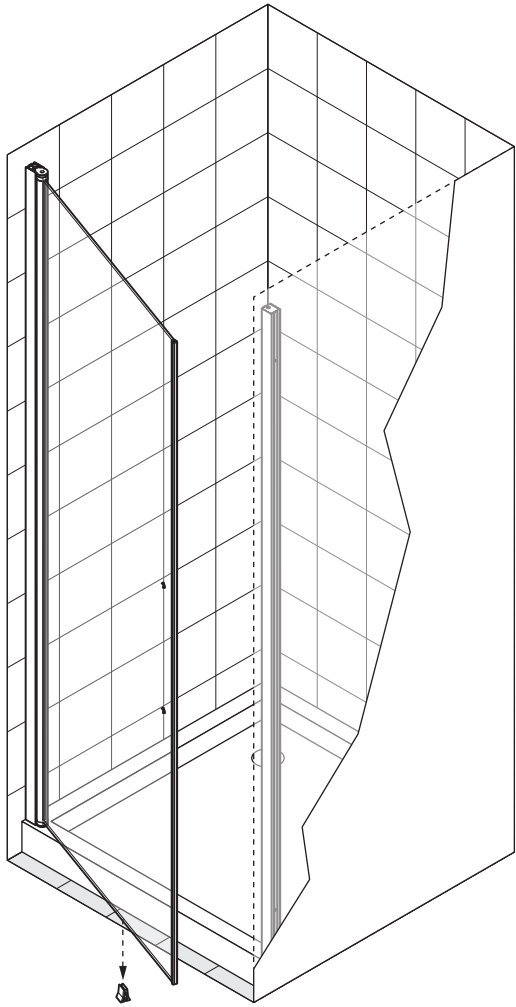
10



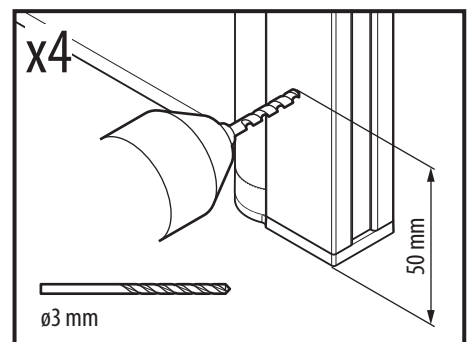
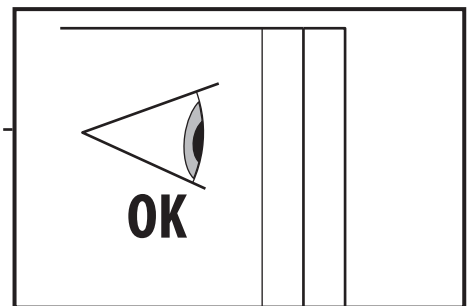
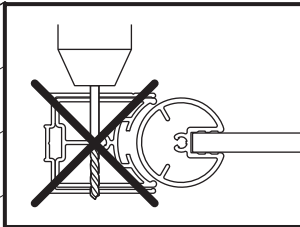
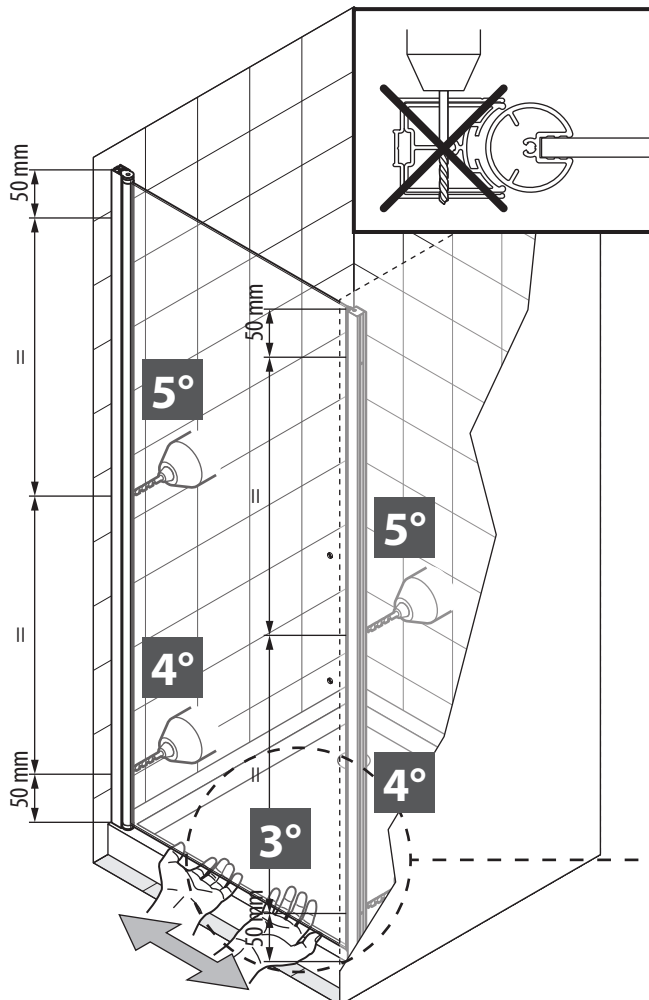

3,5x9,5 x2


x2

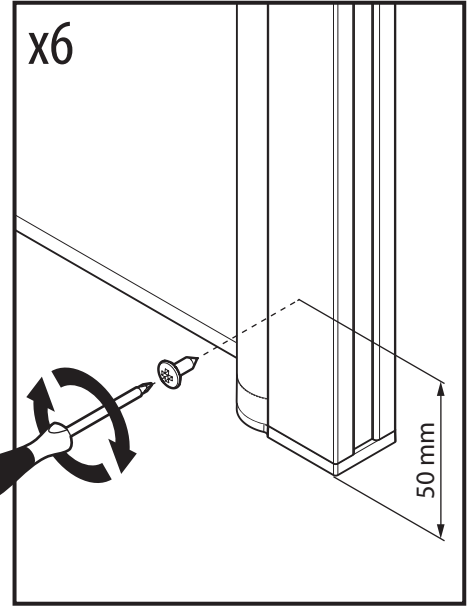
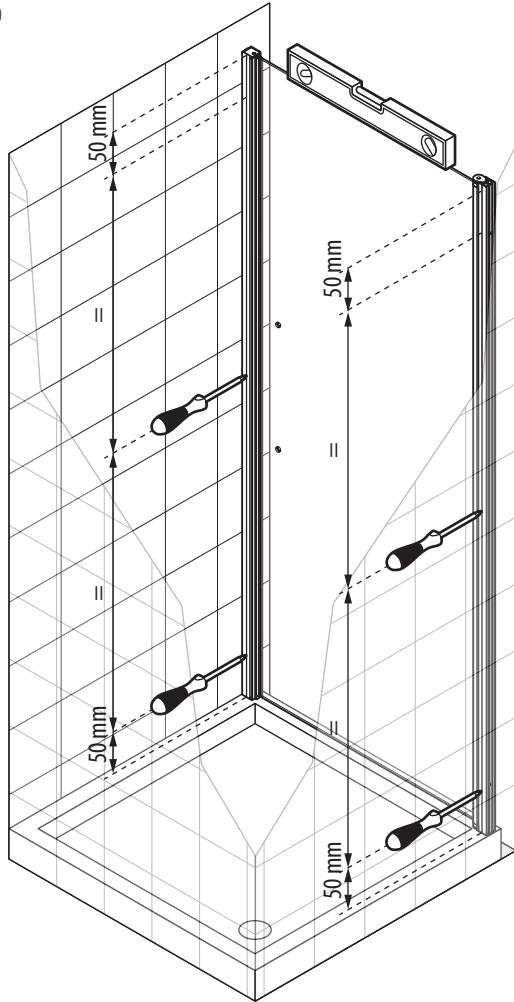
11



12



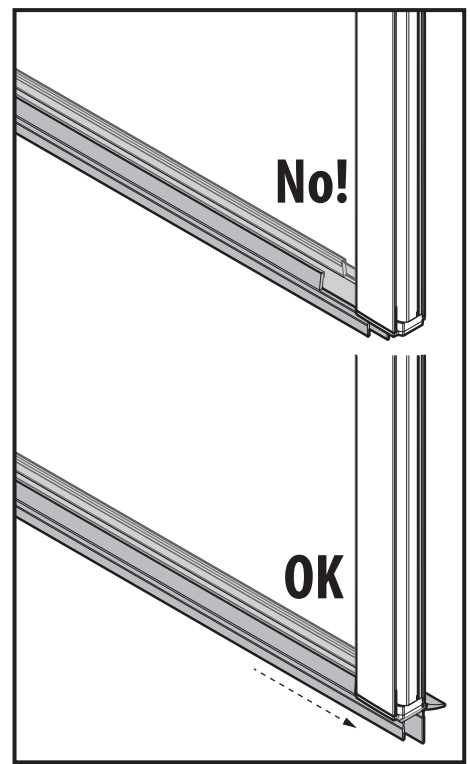
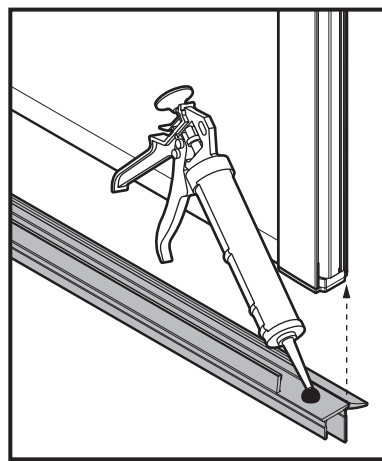
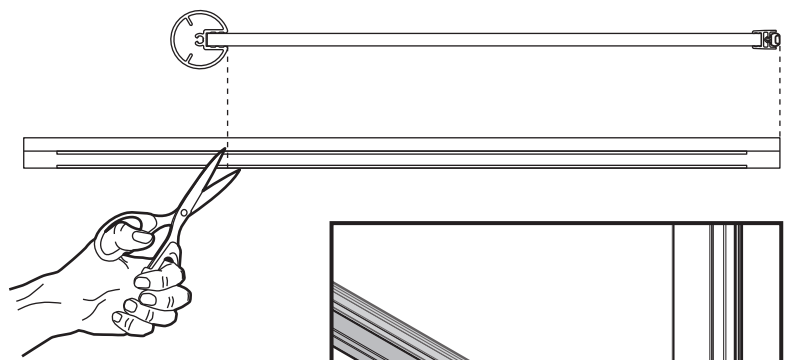
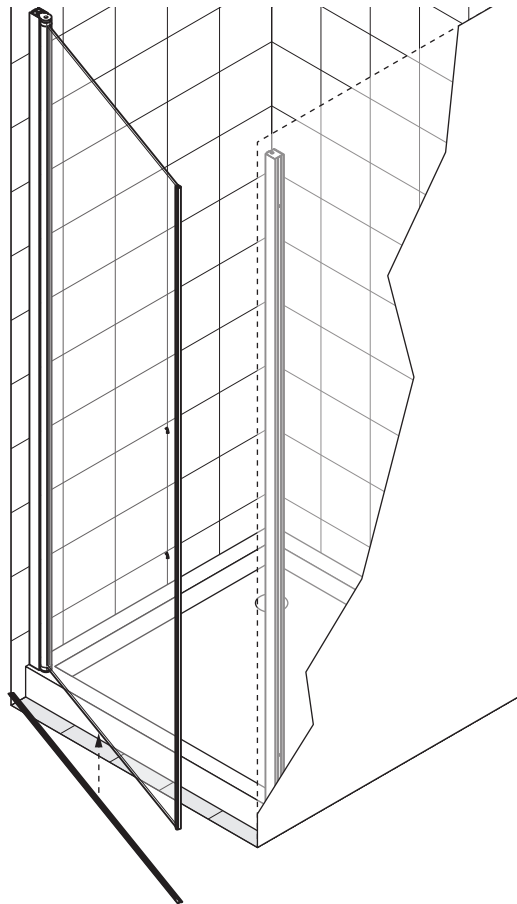
13




3,5x9,5 x6

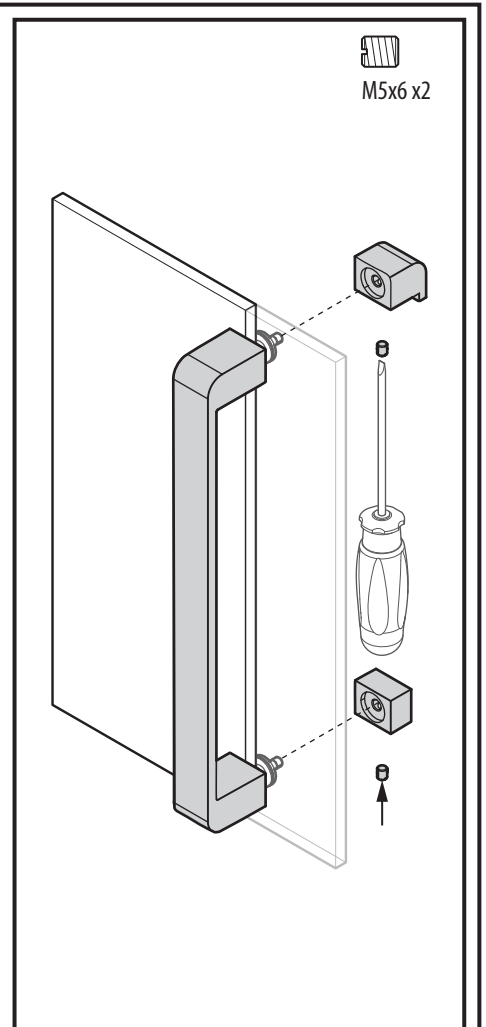
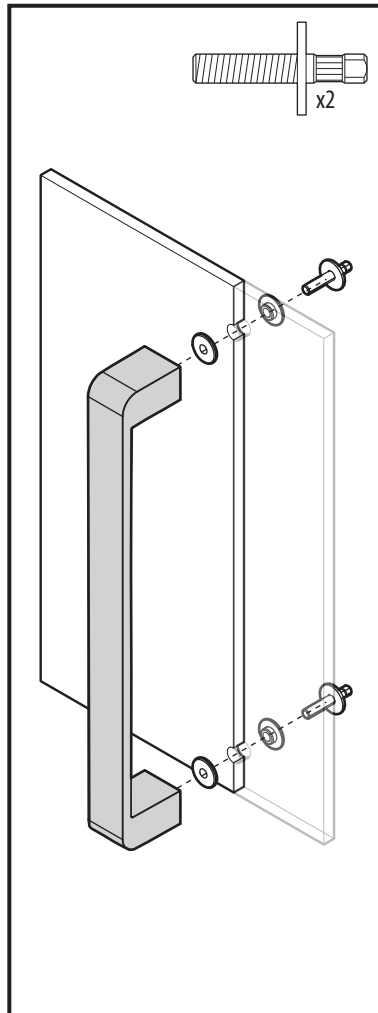
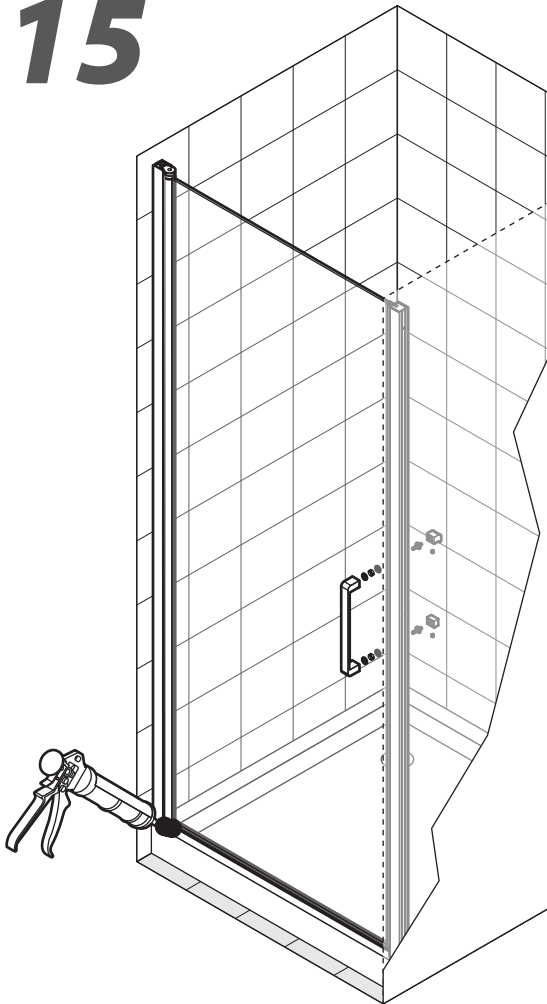

x6

14

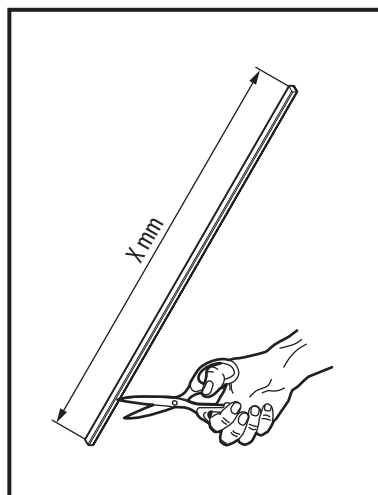
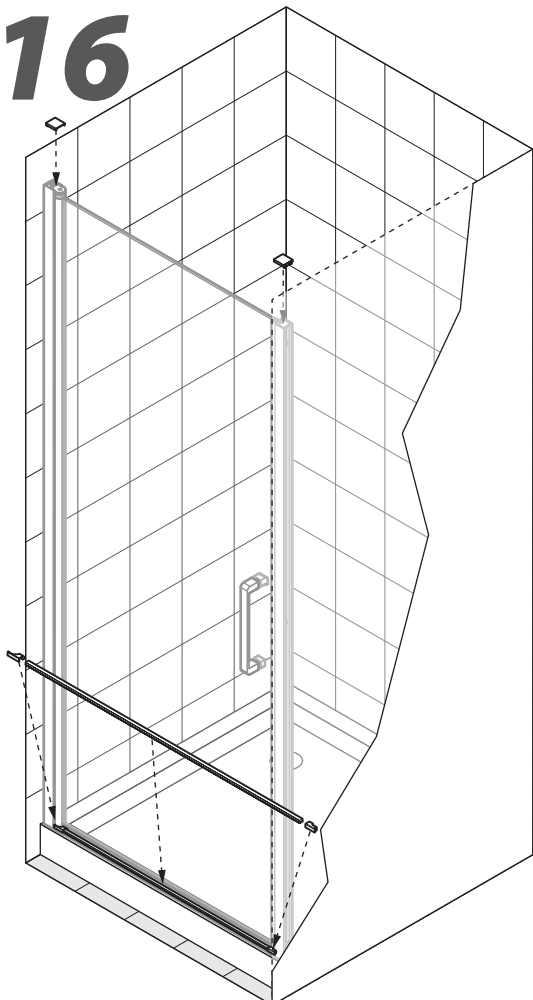


10

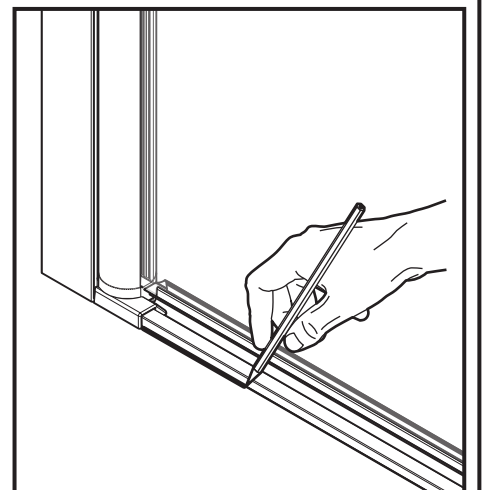
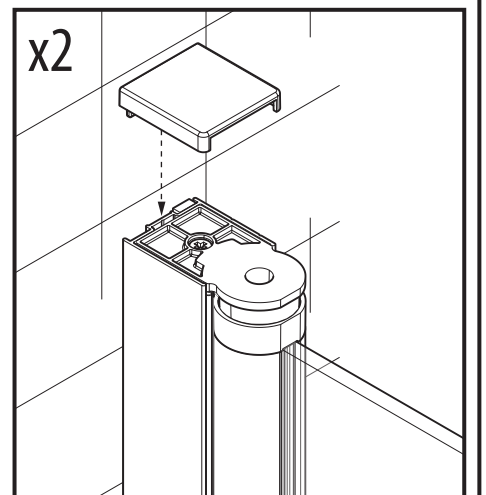
15



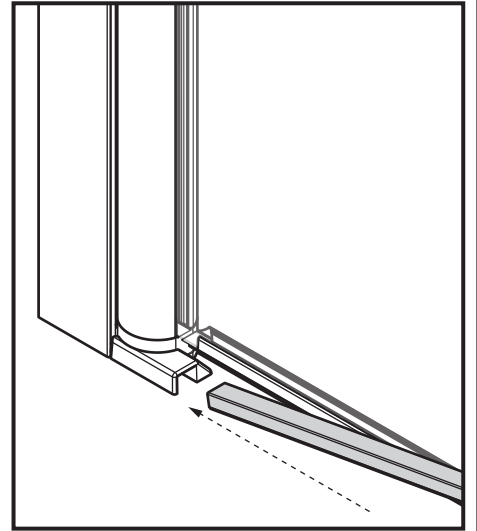
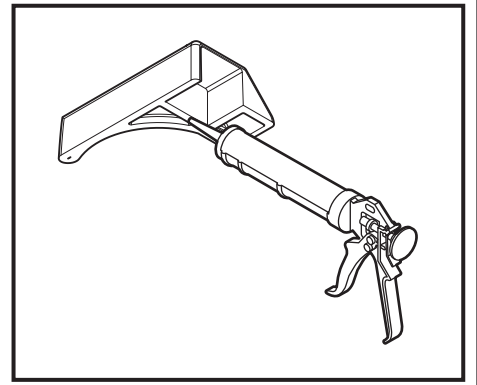
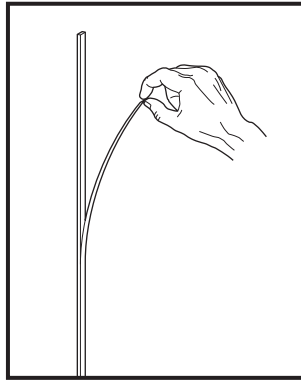
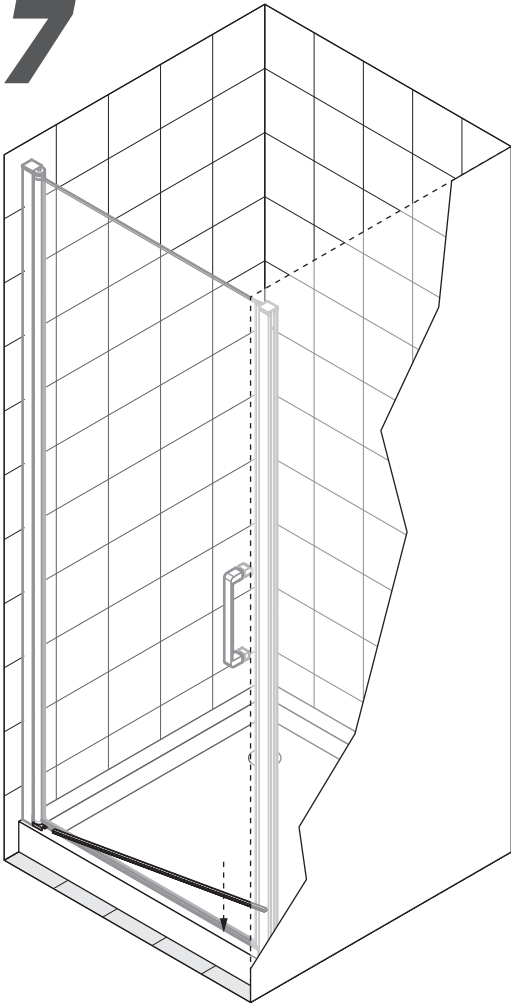
16



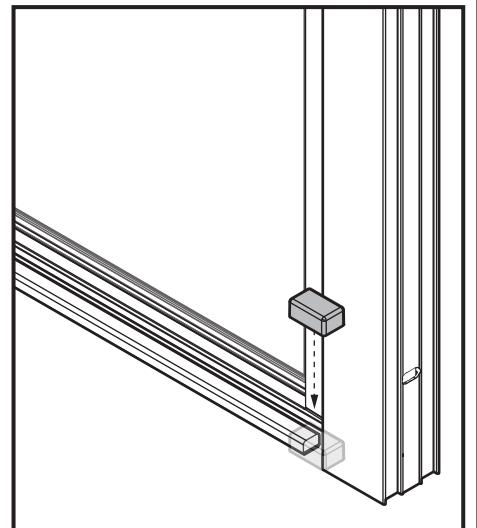
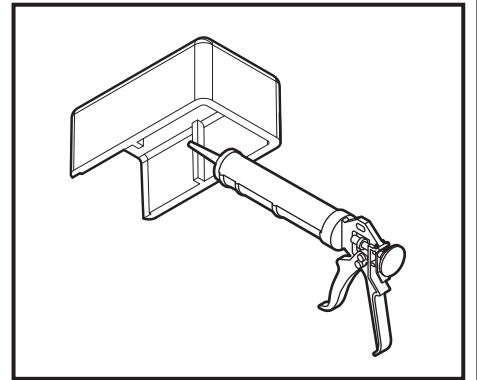
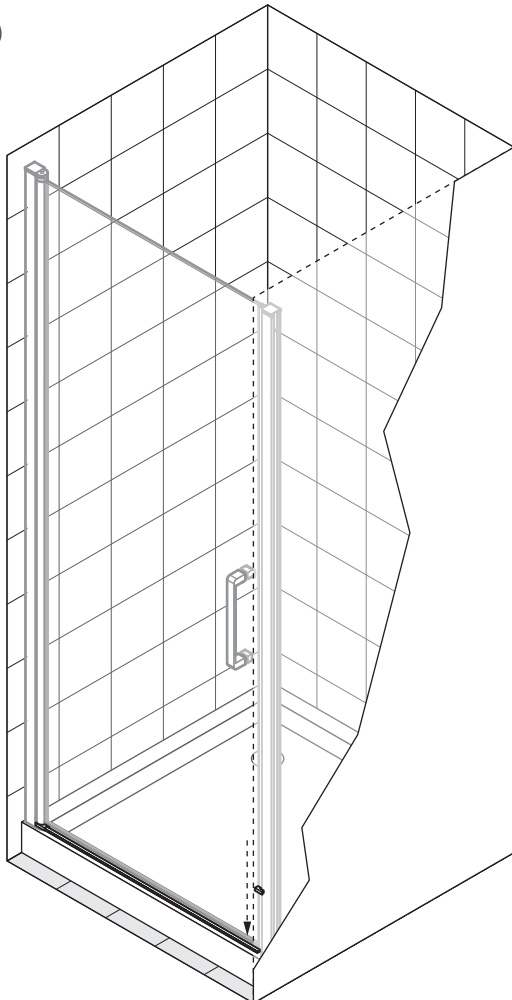
| 1B | X mm |
|----|------|
| 87 | 758 |
| 97 | 858 |



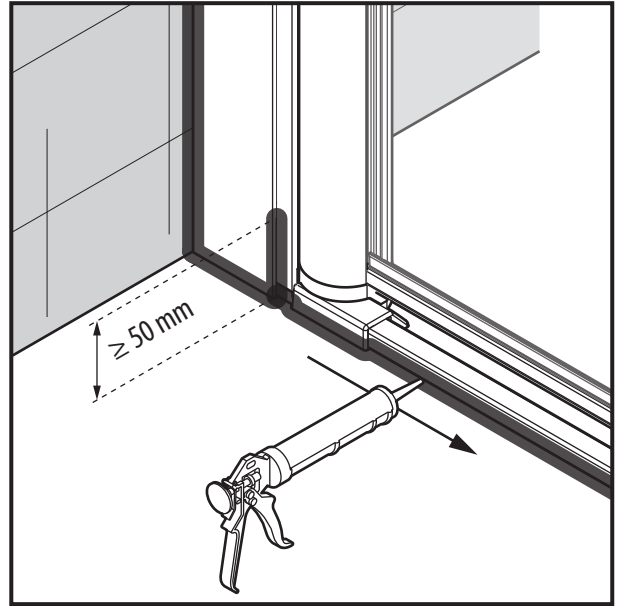
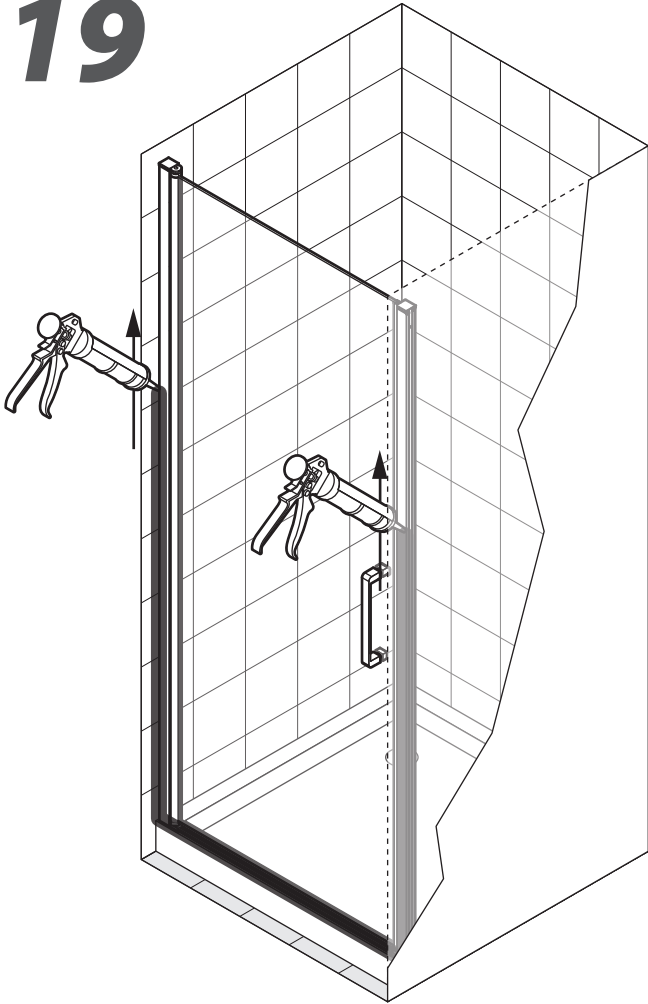
17



18



19



20

