



HANSAMICRA

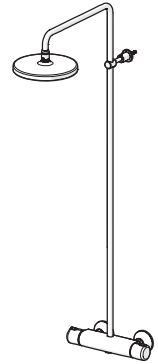
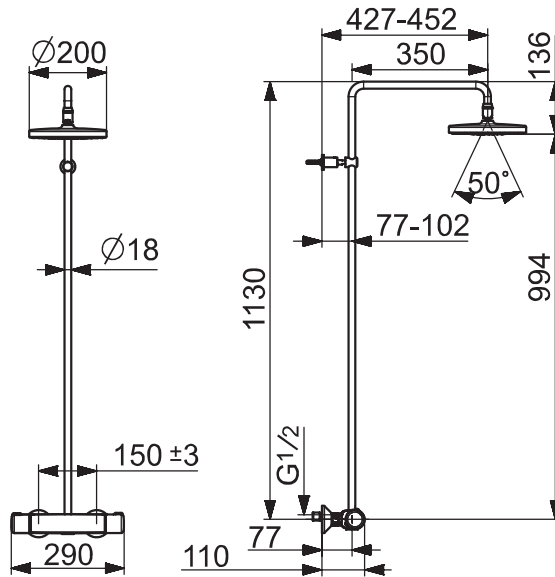
Installation and maintenance guide





4435 0100

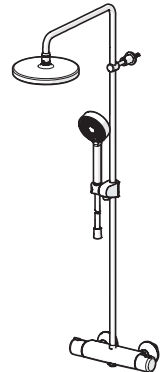
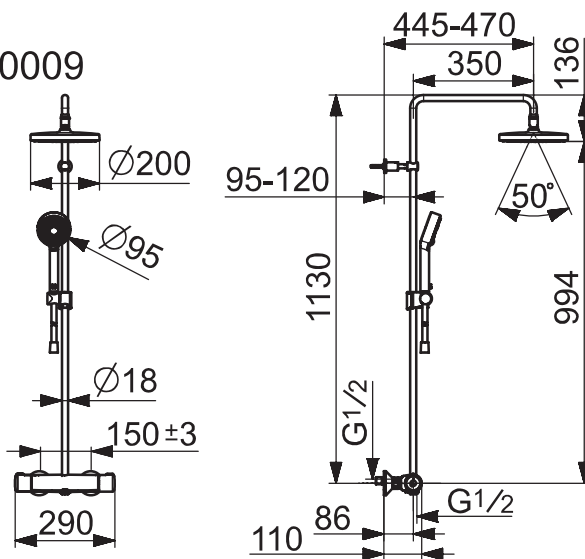
I (ISO 3822)
 EN 1111
 100 - 1000 kPa
 0.27 l/s (300 kPa)
 170 kPa (0.2 l/s)
 max. +65°C



mpi.hansa.com/44350100

4435 0130 , 4435 0130 33, 4435 0130 0007, 4435 0130 0009

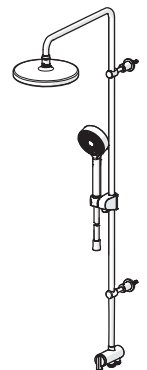
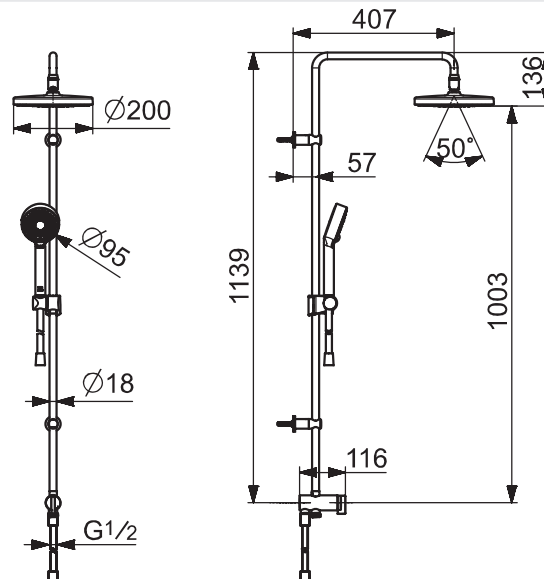
I (ISO 3822)
 EN 1111, EN 1112, EN 1113
 100 - 1000 kPa
 0.25 / 0.26 l/s (300 kPa)
 0.125 l/s (300 kPa w/Controller)(0007)
 0.15 l/s (300 kPa w/Controller)(0009)
 180 kPa (0.2 l/s)
 max. +65°C



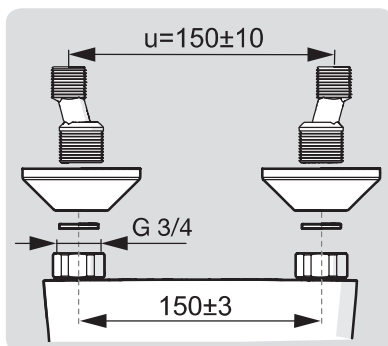
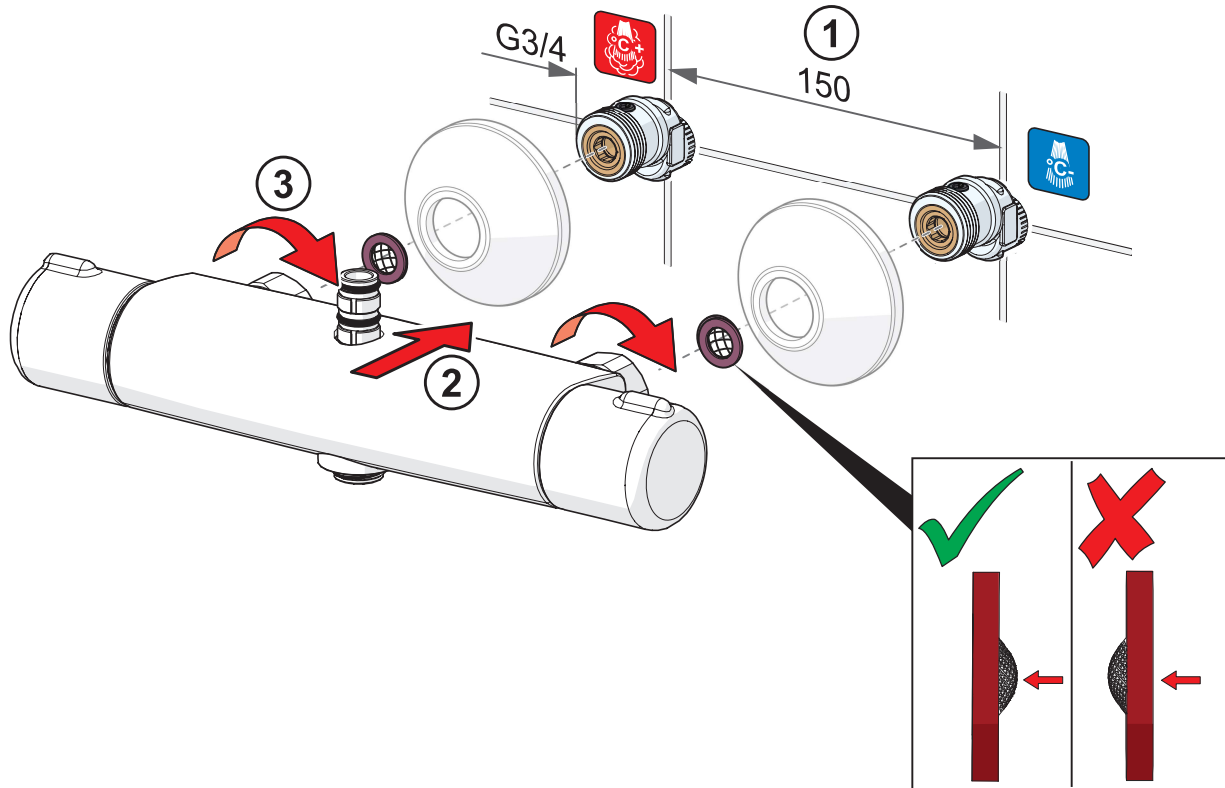
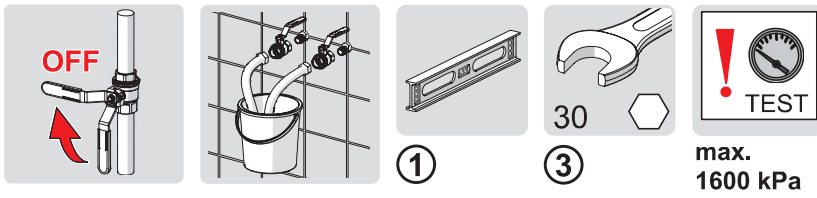
mpi.hansa.com/44350130

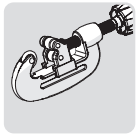
4438 0200

I (ISO 3822)
 EN 1112, EN 1113
 100 - 1000 kPa
 0.25 / 0.26 l/s (300 kPa)
 180 kPa (0.2 l/s)
 max. +65°C



mpi.hansa.com/44380200

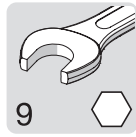




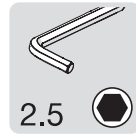
①



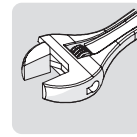
⑤



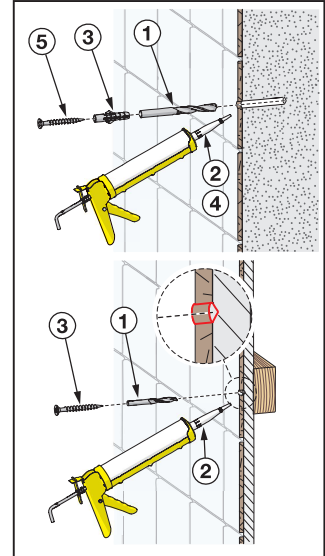
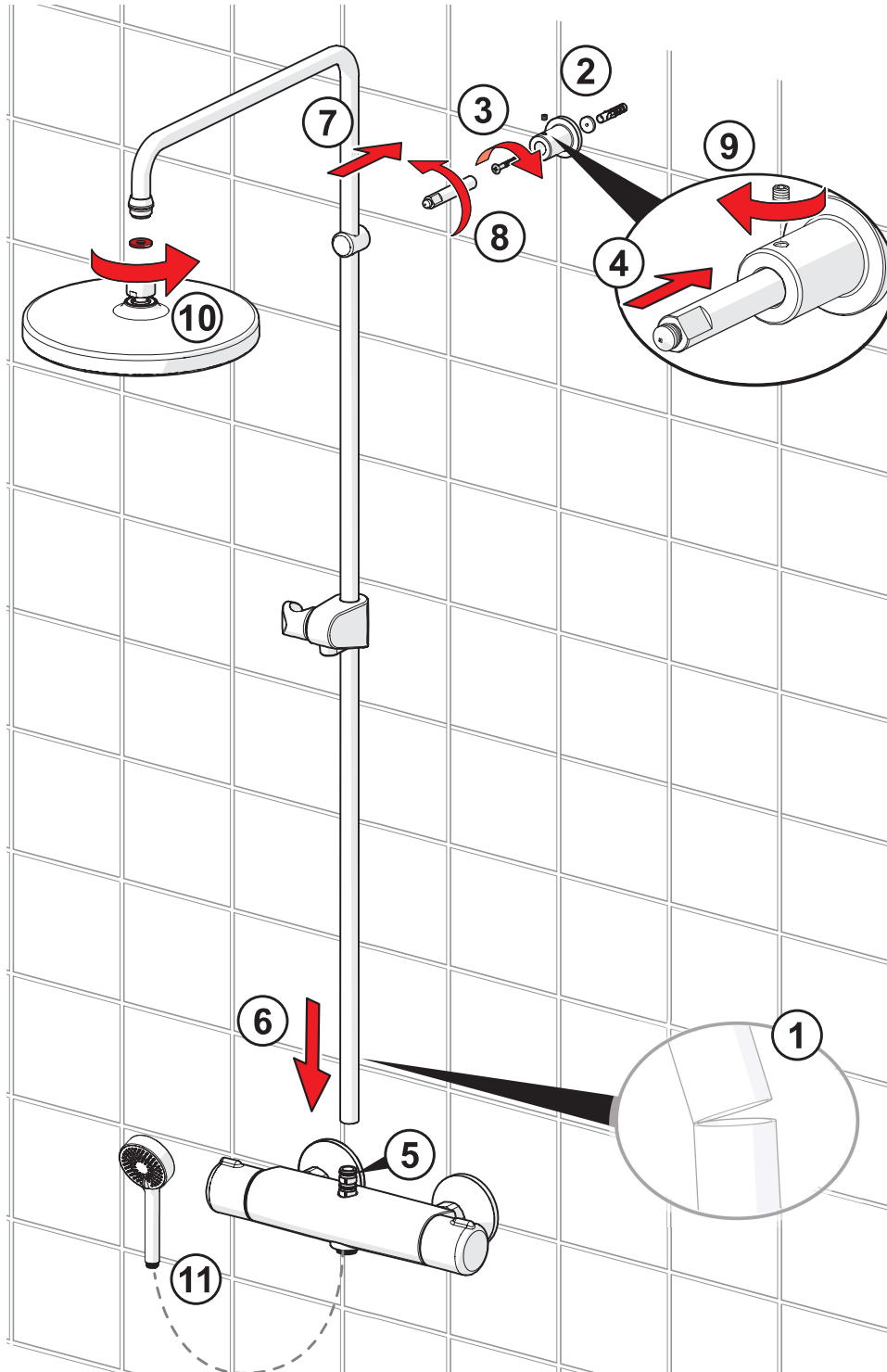
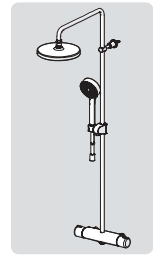
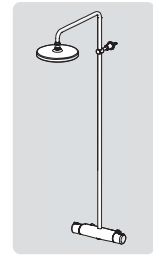
⑧

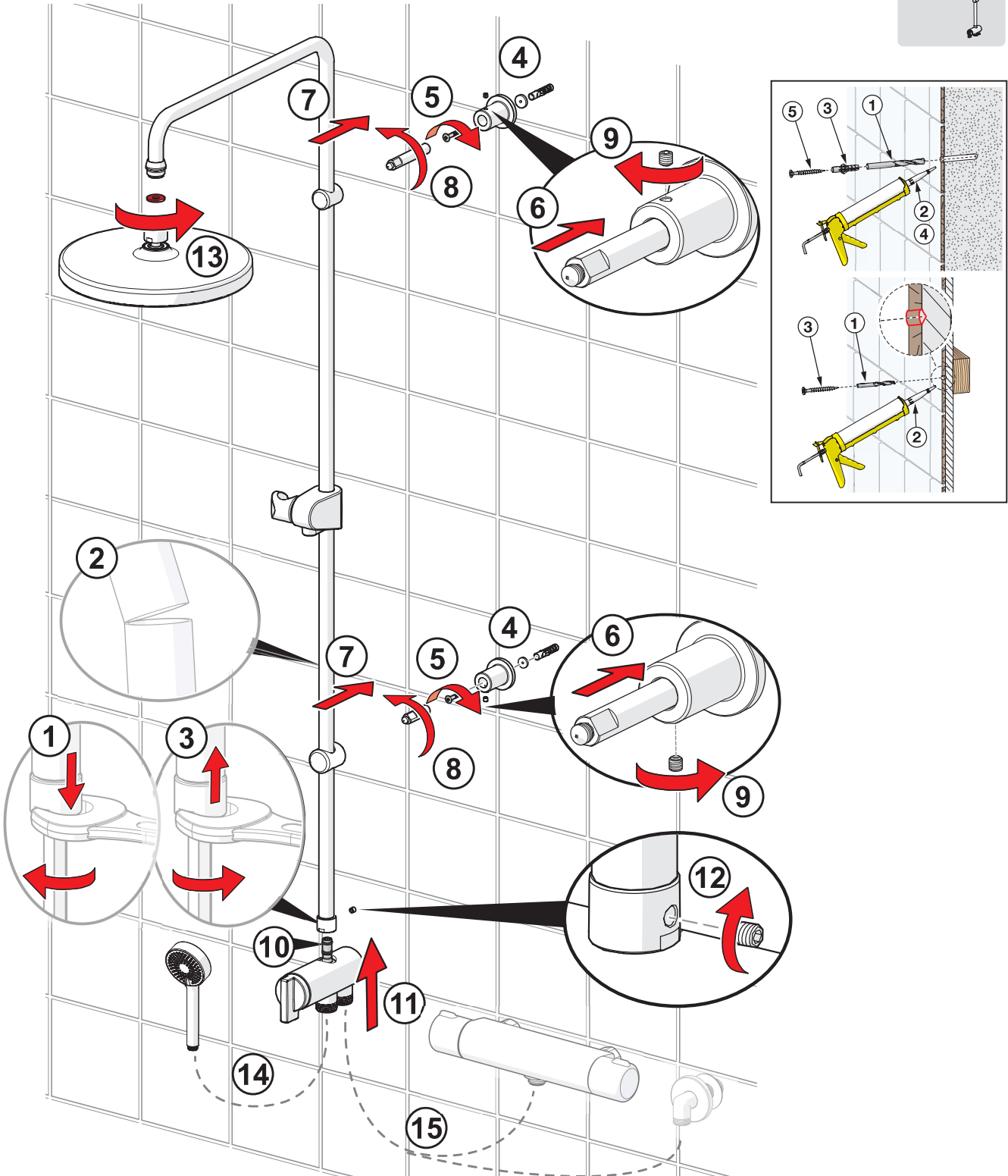
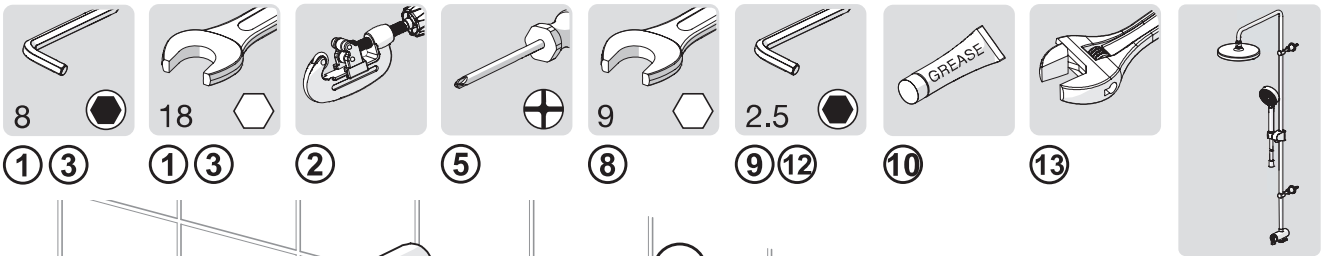


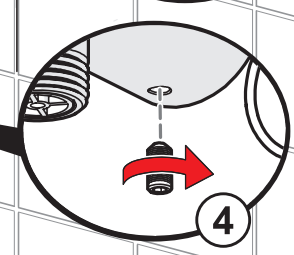
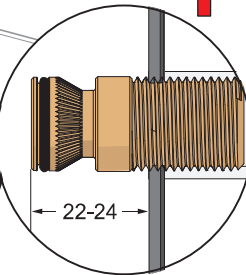
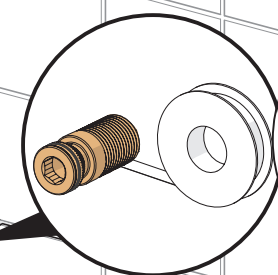
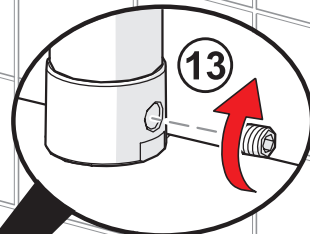
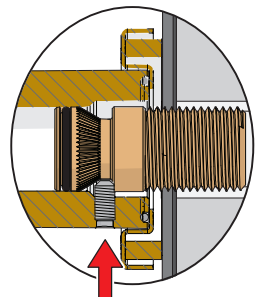
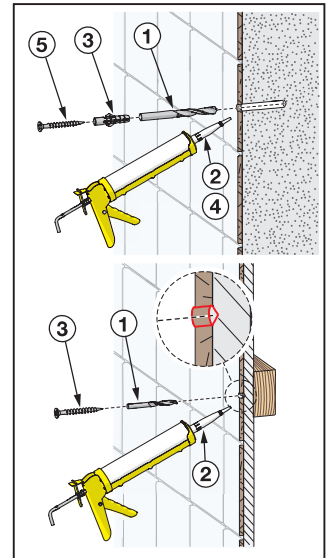
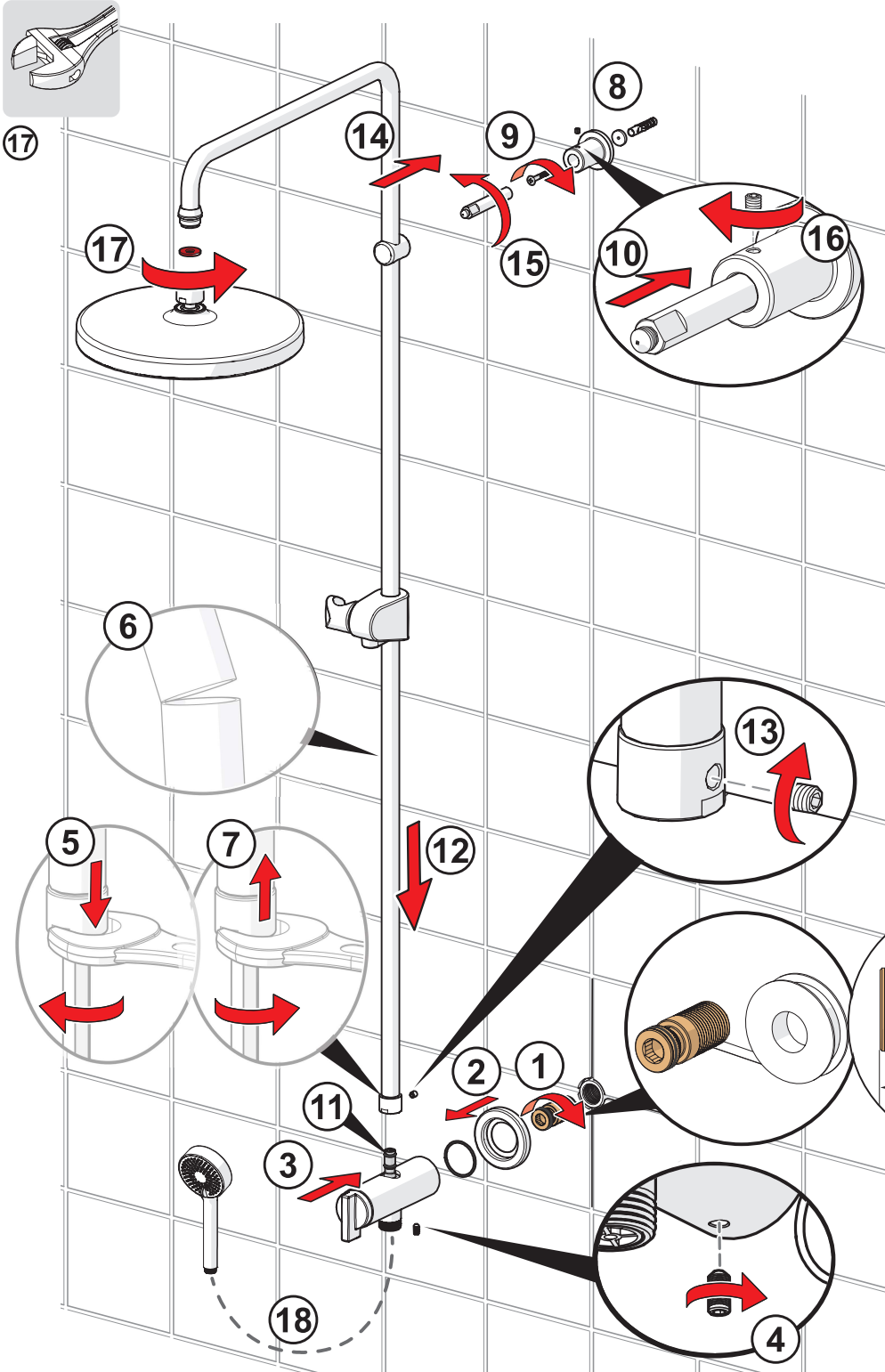
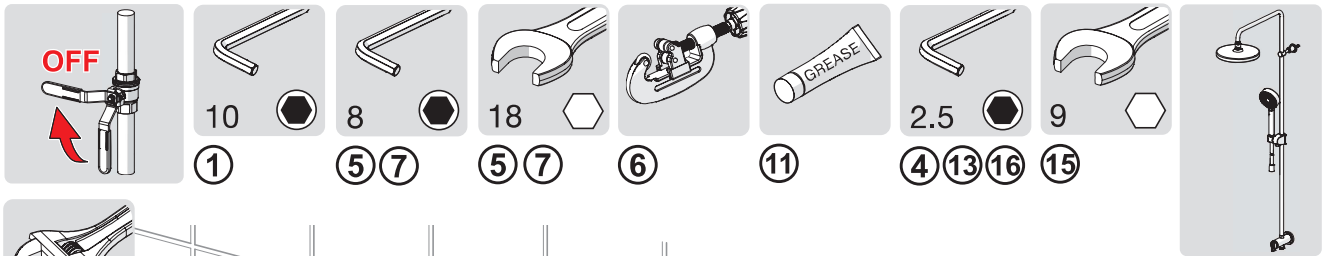
⑨

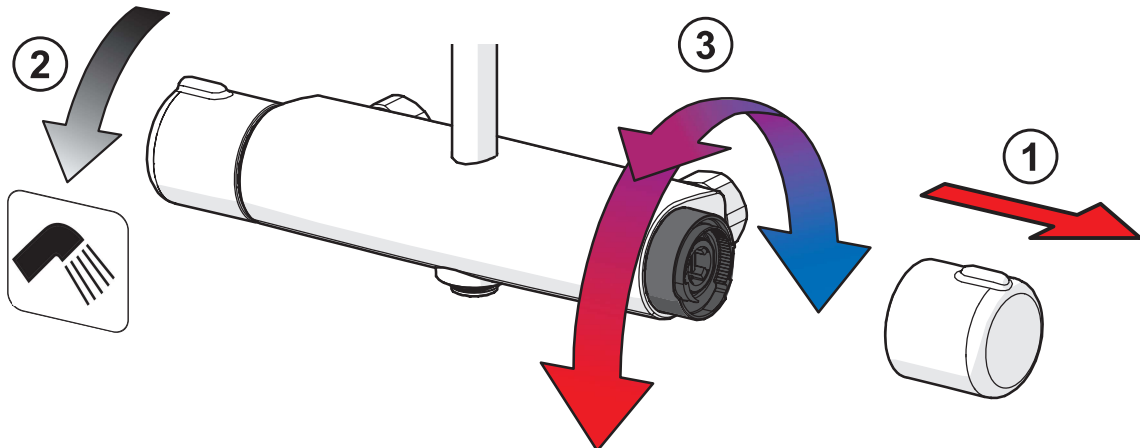
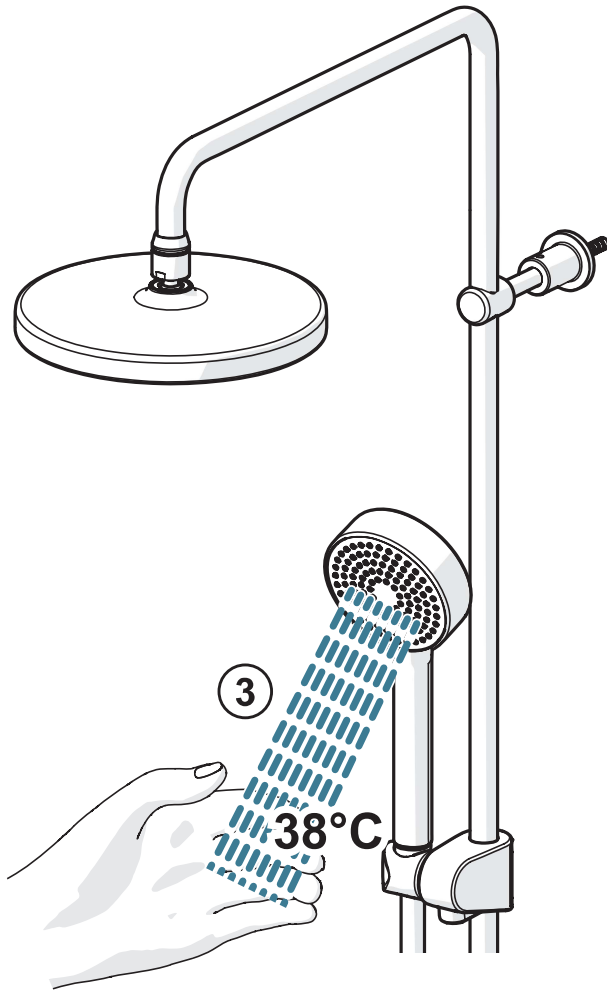


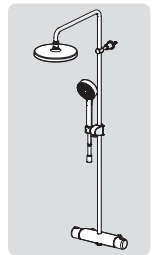
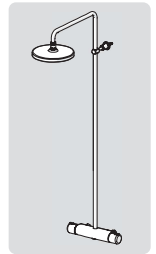
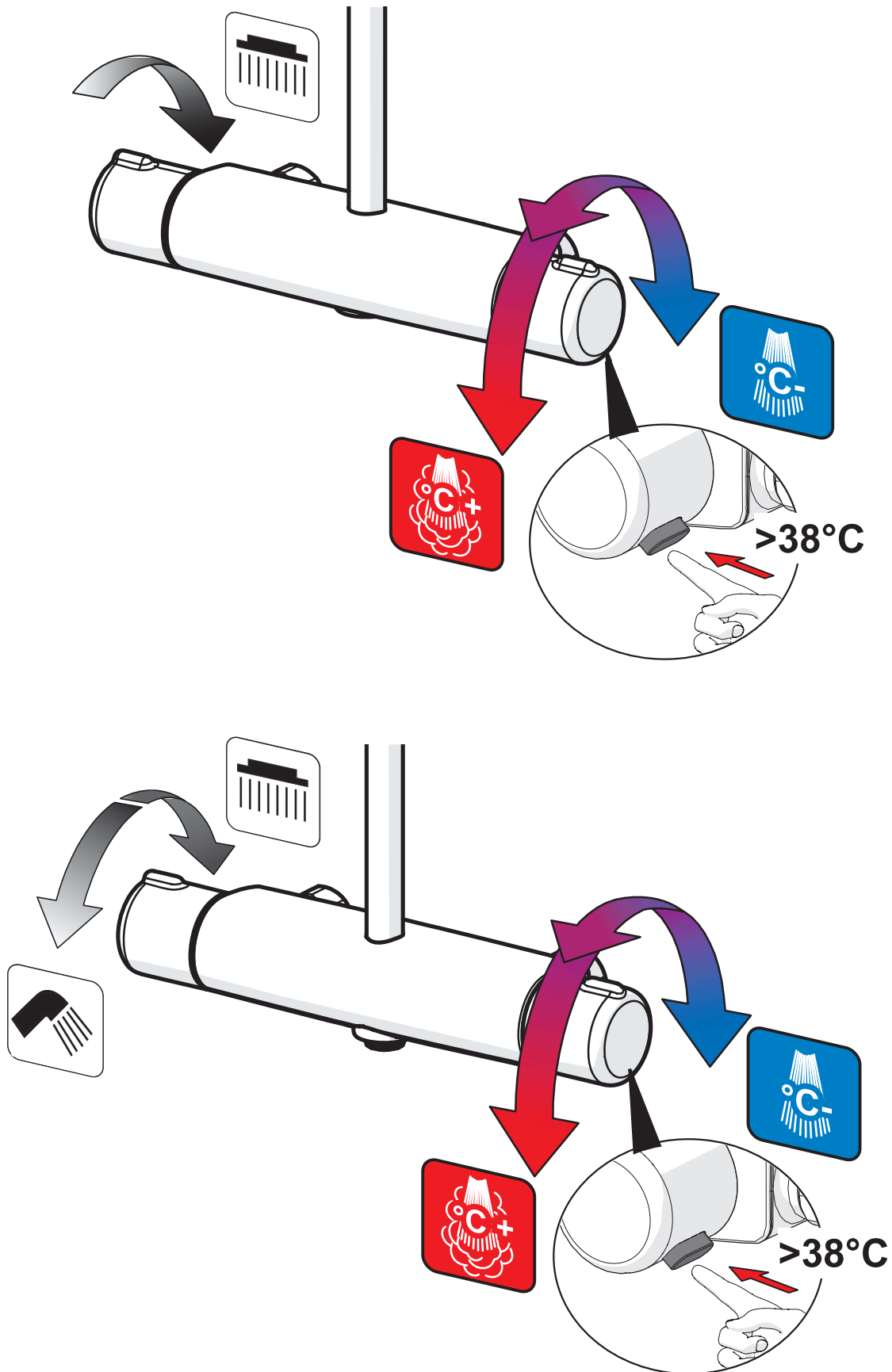
⑩

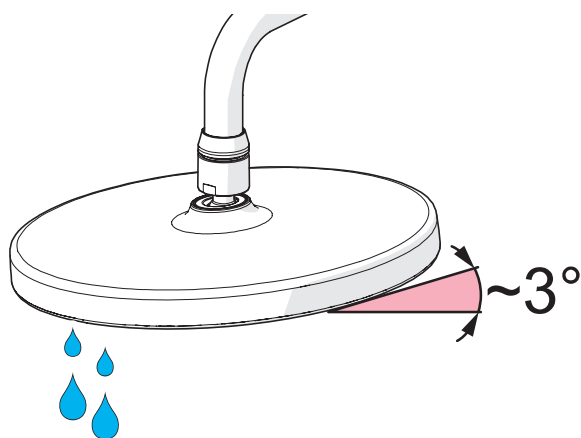
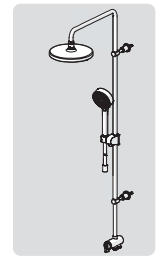
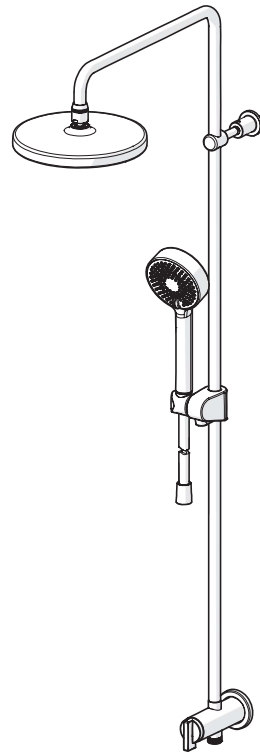
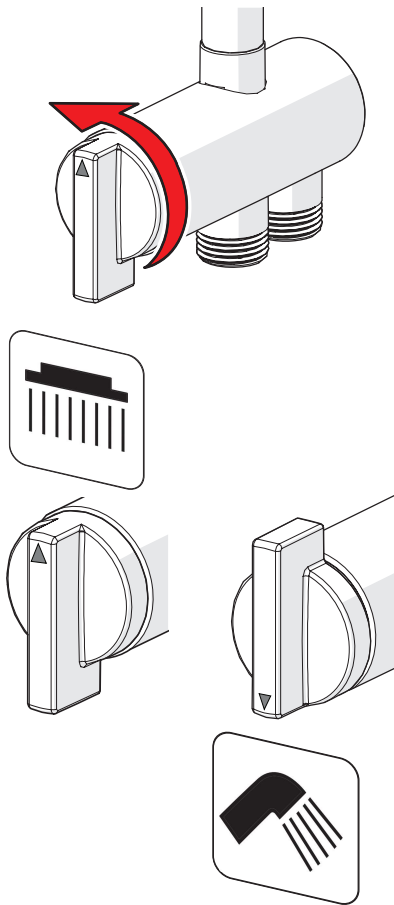




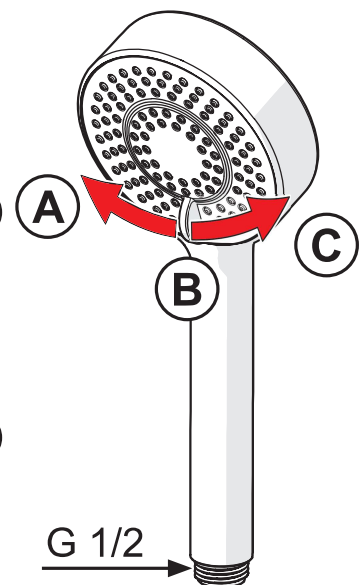
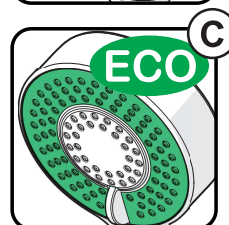
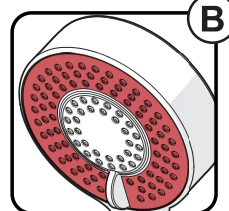
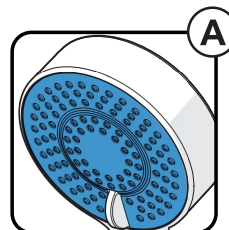


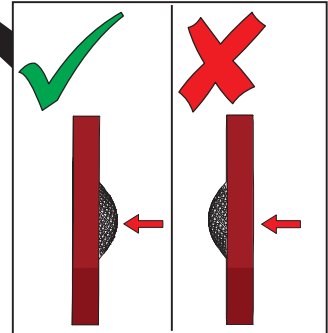
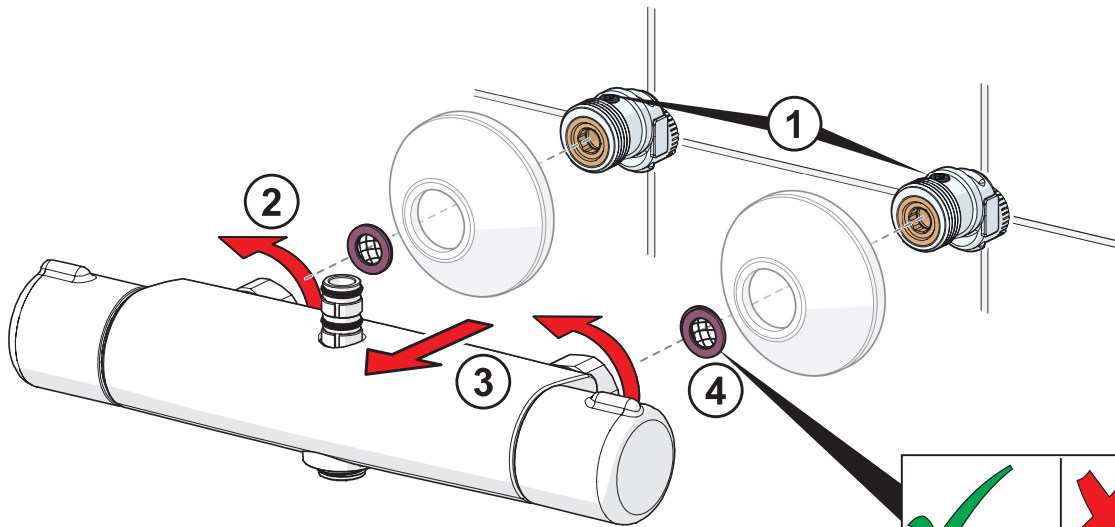
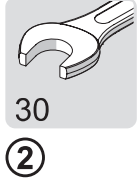
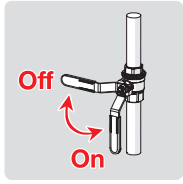
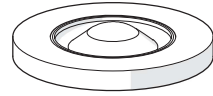


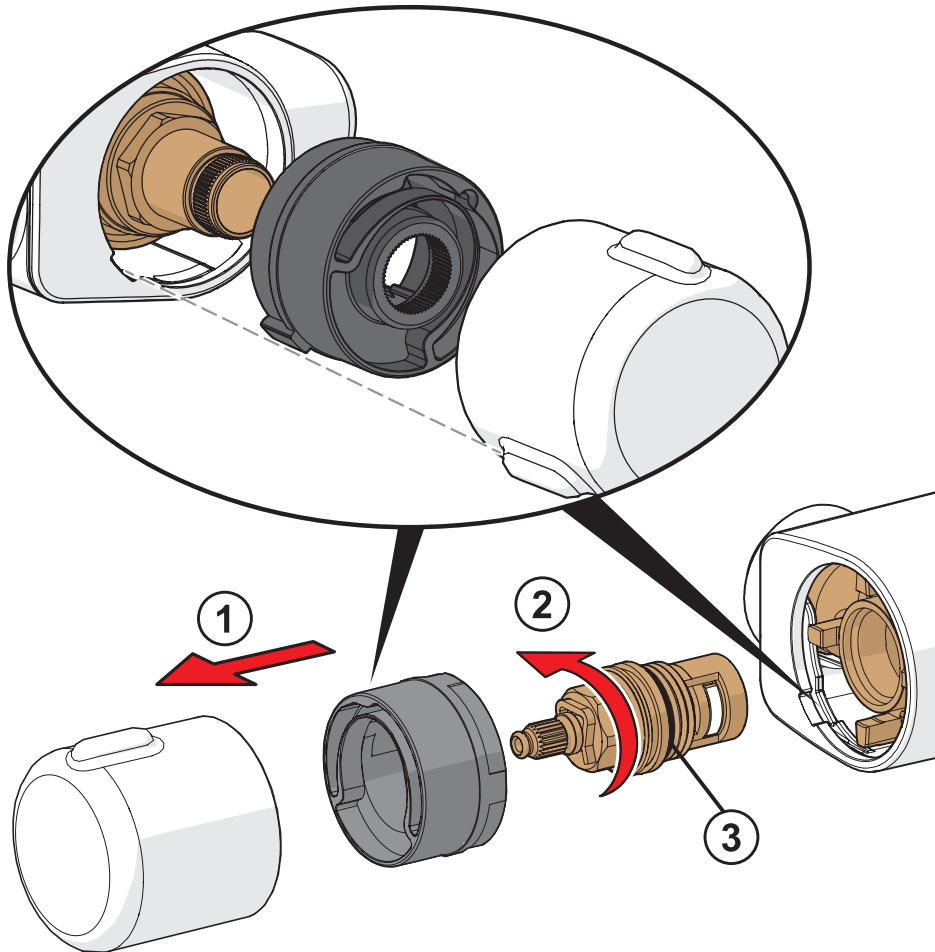
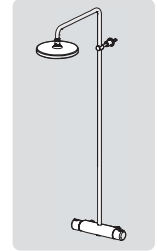
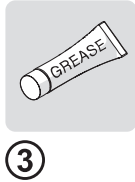
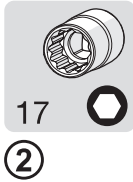
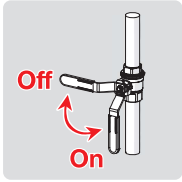
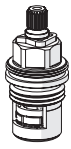


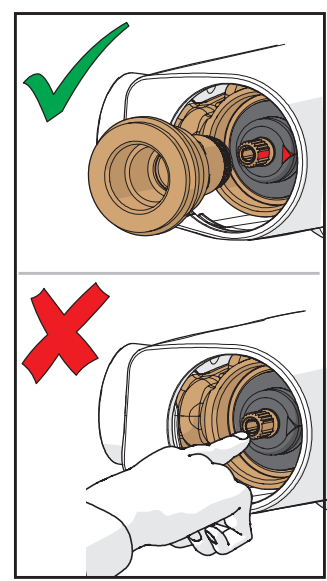
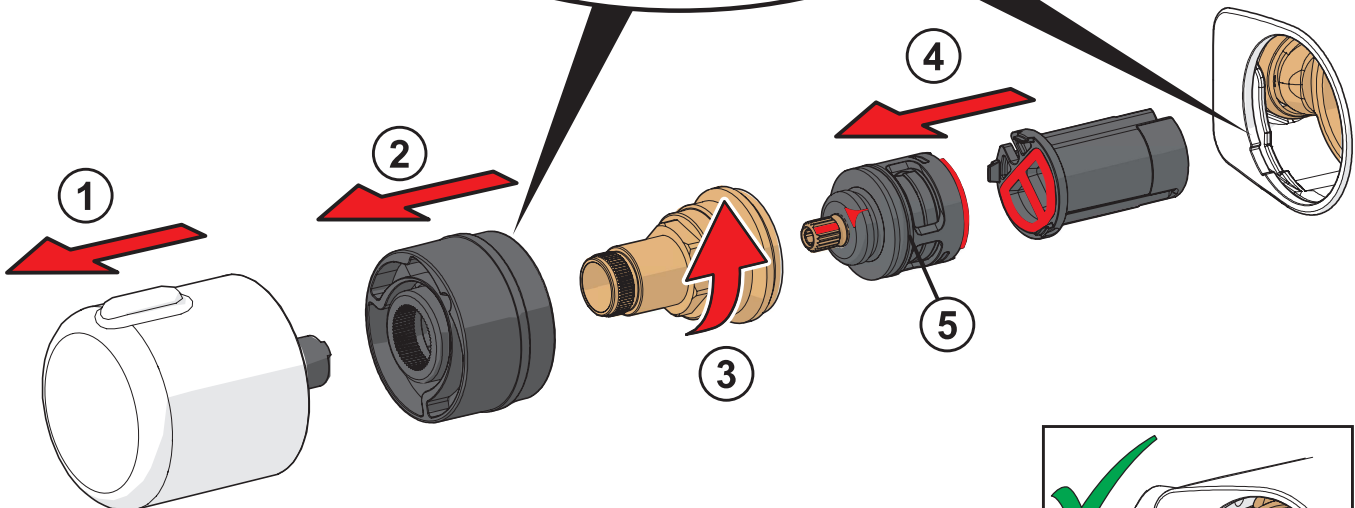
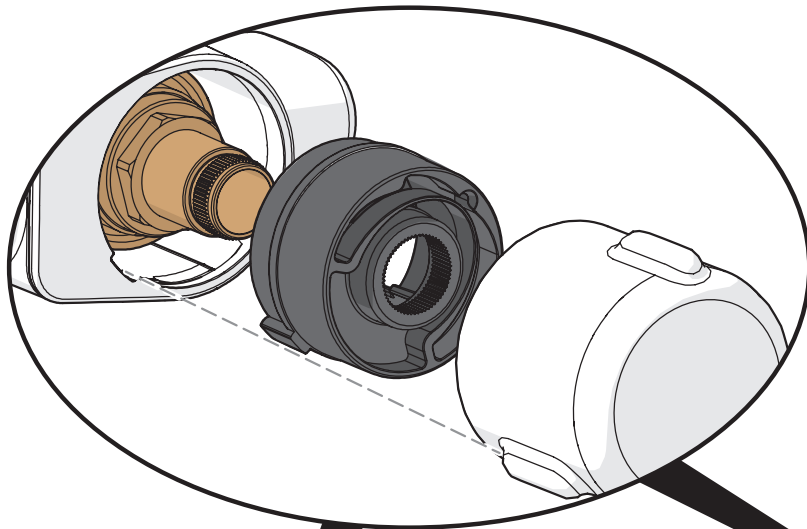
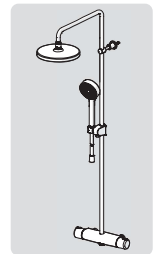
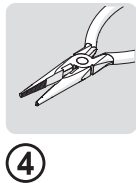
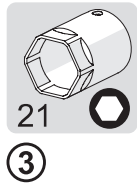
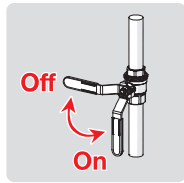
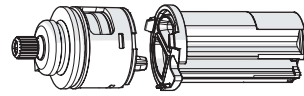


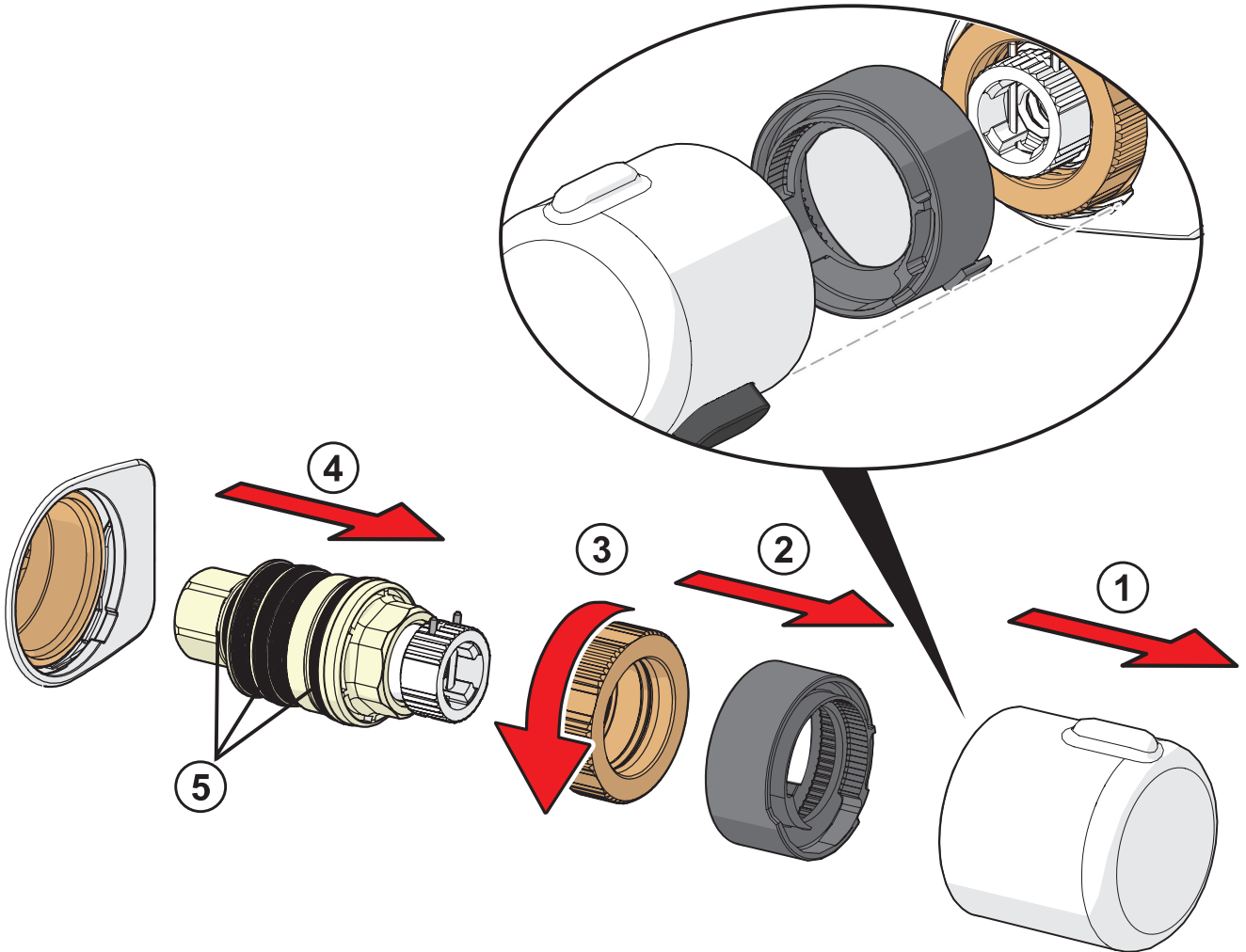
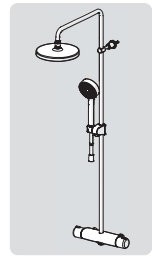
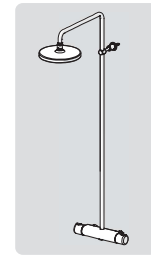
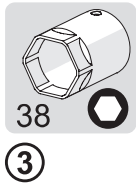
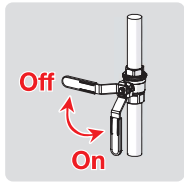
Max 65°C

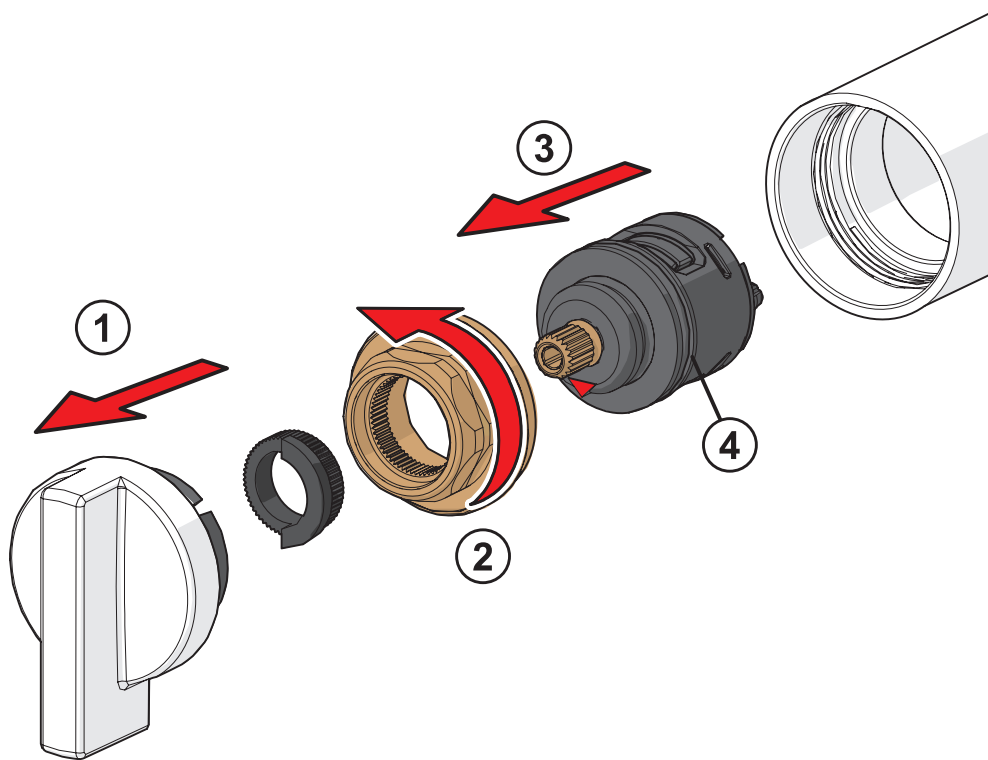
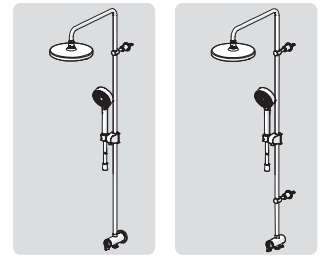
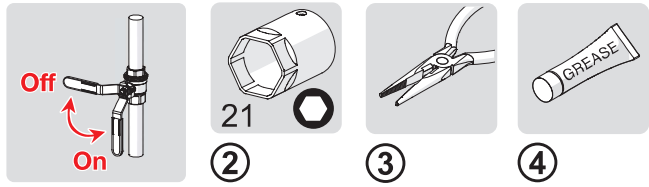
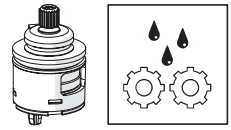


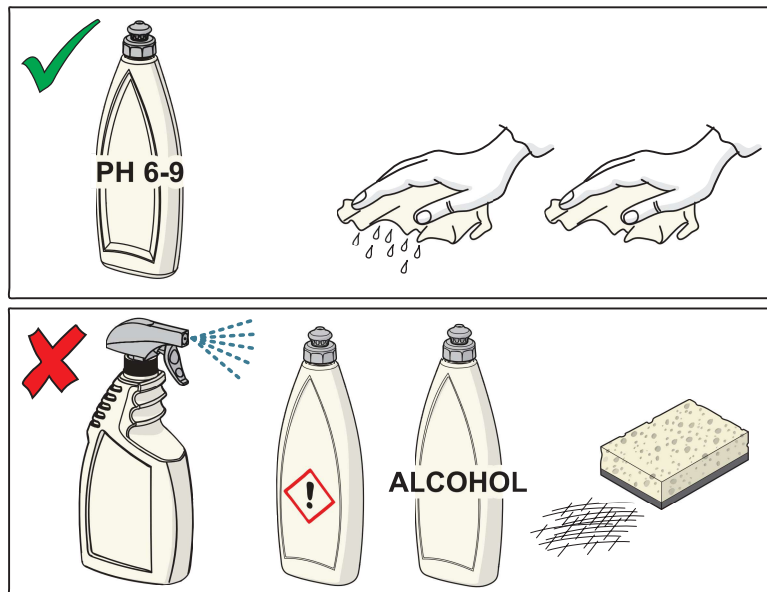
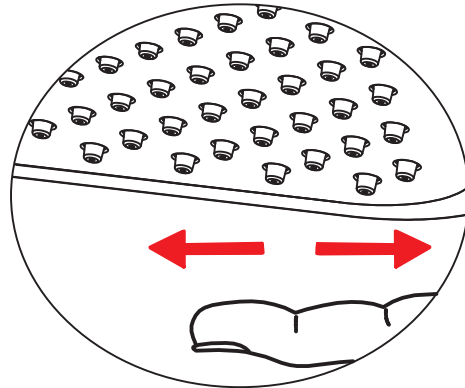












CLEANING.HANSA.COM