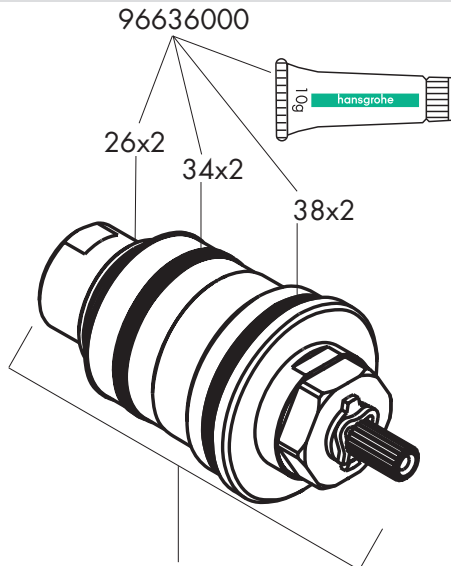


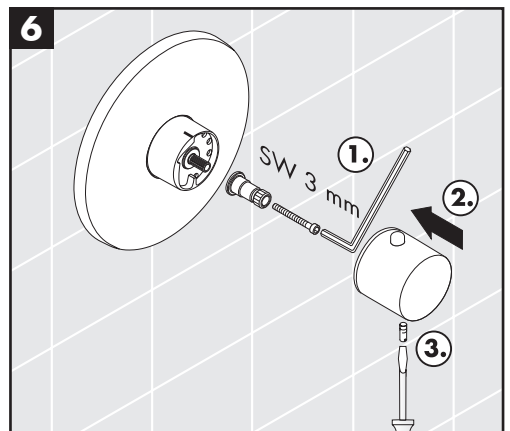
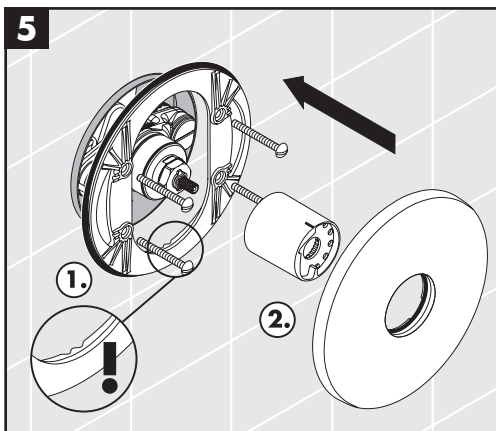
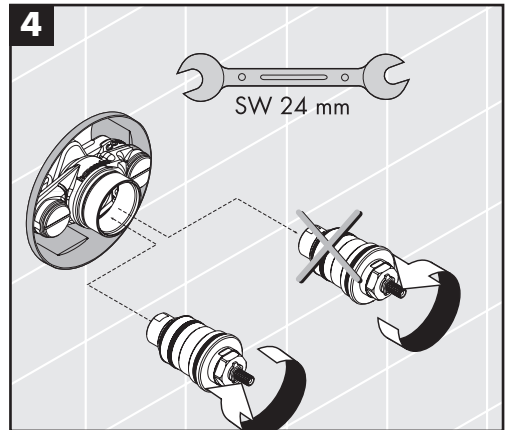
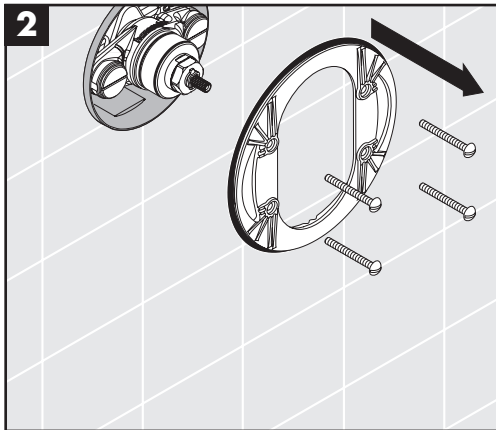
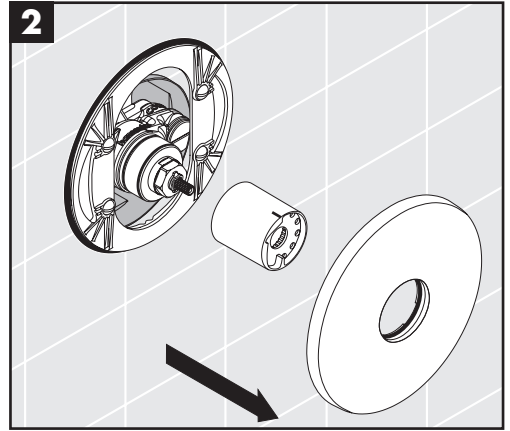
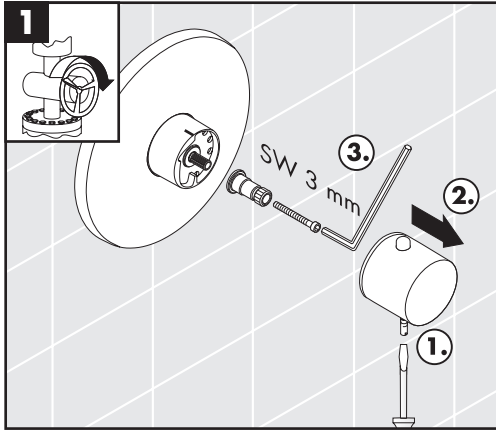
Service



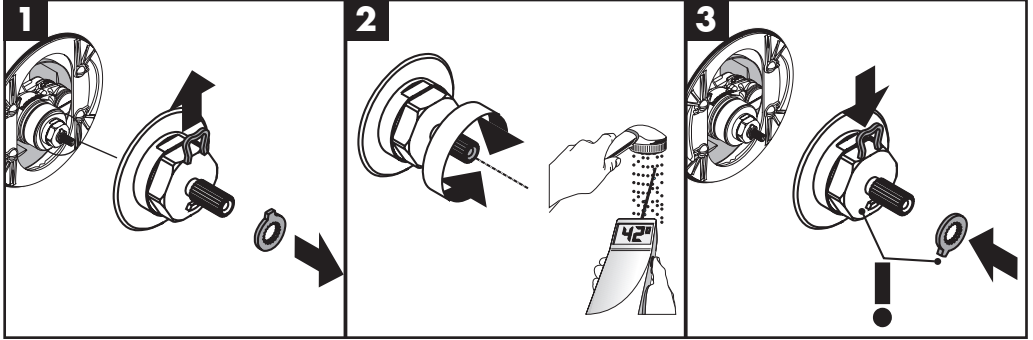
EcoMax Thermoelement (BTC)

96633000

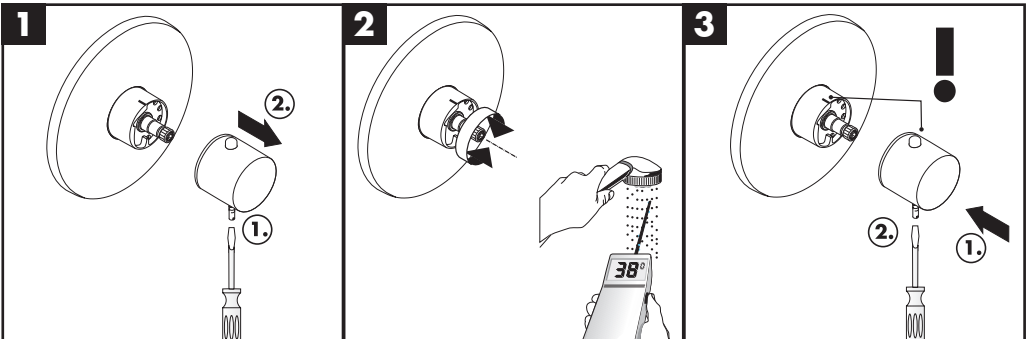
hansgrohe

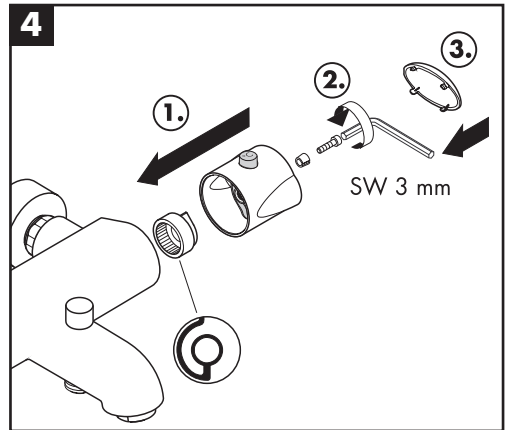
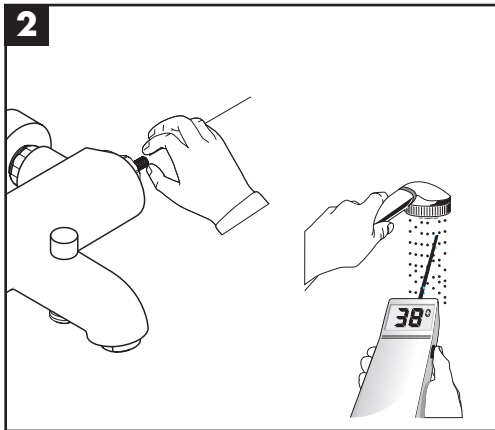
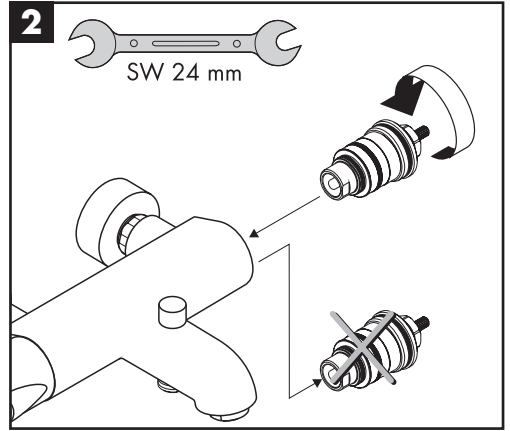
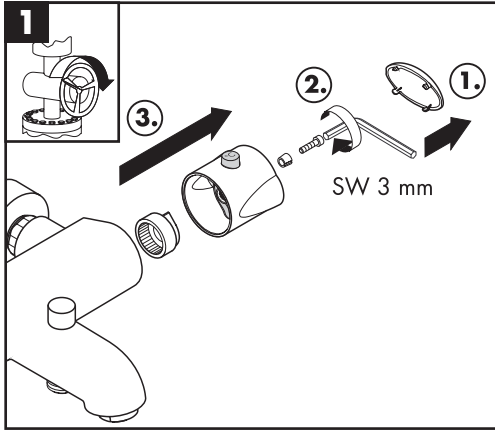


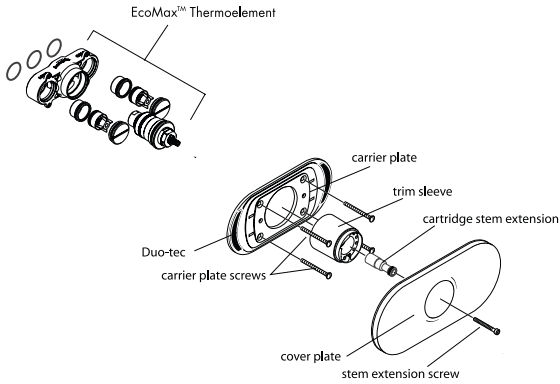
Warmwasserbegrenzung z. B. max. 42° C
Limiteur d'eau chaude par exemple max. 42° C
hot water limiter for example max. 42° C
limitatore di acqua calda per esempio max. 42° C
Limitación del agua caliente por ejemplo max. 42° C
Warmwaterbegrenzing bij voorbeeld max. 42° C
Varmtvandsbegrænsning eksempel max. 42° C
Limitador de água quente para o exemplo max. 42° C
Ograniczenie ciepłej wody np. max. 42° C



Einjustieren
Réglage
Adjustment
Taratura
Puesta a punto
Korrektie
Justering
Afinação
Regulacja

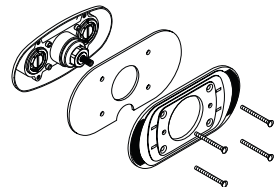
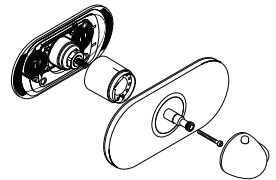
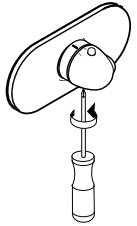






Remove the trim:

- Loosen the set screw on the bottom of the thermostatic mixer handle. Remove the handle by pulling straight off cartridge stem extension.
- Remove the trim plate by pulling straight off the carrier plate.
- Remove the four carrier retainer screws. Remove the carrier plate and the sealing gasket.
- If you are going to clean or replace the thermostatic cartridge, remove the handle screw, the stem extension, and the trim screw. Use a 3 mm hex wrench to remove the handle screw. Pull the trim sleeve straight out.

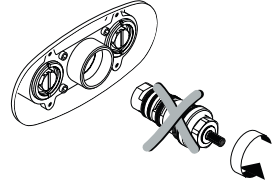


Note on the EcoMax

The EcoMax thermostatic element does not include isolation valves (stops). The water must be turned off at the main supply before servicing the EcoMax.

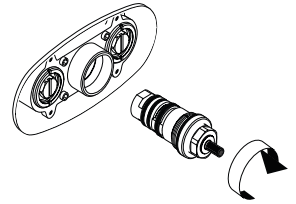
Clean the thermostatic mixer cartridge

- Remove the cartridge with a 24 mm open end wrench or deep socket wrench, turning counter-clockwise until it can be removed from the body.
- Flush any debris from the filter screens on the cartridge with hot water. Use an old toothbrush and hot soapy water to remove stubborn deposits and excess solder flux. Take care not to damage the filter screens.
- Screw the cleaned cartridge clockwise into the valve body, taking care not to cross thread or over-tighten.



Replace the thermostatic mixer cartridge

- Remove the cartridge with a 24 mm open end wrench or deep socket wrench, turning counter-clockwise until it can be removed from the body.
- Screw the new cartridge into the bore.



Complete the job

Open main supply

Re-assemble the trim

- Replace the trim sleeve so that the indexing mark is at the 12:00 position.
- Attach the stem extension with the handle screw, using a 3 mm hex wrench.
- Install the sealing gasket and the trim carrier plate, using the 4 trim carrier plate screws.
- Slide the trim plate over the stem and sleeve, pressing firmly so that the duo-tec fasteners on the back of the trim plate engages the corresponding duo-tec fasteners on the carrier plate.

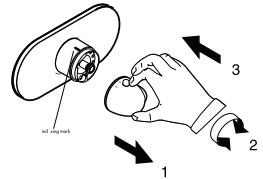
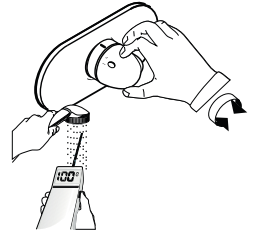
Justify the handle

Justification means installing the handle in such a way that the temperature displayed agrees with the actual temperature of the water, and to make sure that the 100° safety stop engages properly.

Required materials:

Thermometer
Small, flat-bladed screw driver

- Make sure that the indexing mark on the sleeve is at the 12:00 position.
- Place the thermometer in the water stream. Turn the stem until the water measures 100° on the thermometer.
- Place the handle on the stem so that the 100° marking and the red button are at the 12:00 position.
- Tighten the set screw using the screwdriver.



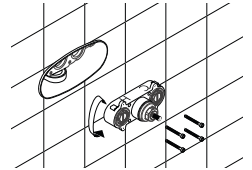
Less Common Procedures

Reverse the entire thermoelement

If the hot and cold supplies are reversed, or if the valve rough has been installed upside down, either all hot or all cold will issue from the valve – there will be no mix of water. In this case, a reversing cartridge is not necessary – the thermoelement can be reversed.

Before beginning, it is imperative that the water is turned off at the main.

- Open the volume control to make sure that the water is off and to depressurize the system.
- Remove the four thermoelement retaining screws, using a 4 mm hex wrench. Remove the thermoelement.
- Turn the thermoelement upside down. Replace it in the valve rough. Secure it with the four retaining screws.
- Turn the water on and test the function of the valve.



hansgrohe

AXOR | PHÄRO

Hansgrohe · Postfach 1145 · D-77761 Schiltach · Telefon +49 (0) 78 36/51-1282 · Telefax +49 (0) 7836/511440
E-Mail: info@hansgrohe.com · Internet: www.hansgrohe.com